

Duct/Immersion Temperature Sensor

For measuring temperature in duct applications. In connection with a stainless steel or brass thermowell also applicable for pipe applications. IP65 / NEMA 4X rated enclosure.


Type Overview

Type	Output signal	Probe length	Probe diameter
01DT-1CH	Ni1000	50 mm	6 mm
01DT-1CL	Ni1000	100 mm	6 mm
01DT-1CN	Ni1000	150 mm	6 mm
01DT-1CP	Ni1000	200 mm	6 mm
01DT-1CR	Ni1000	300 mm	6 mm
01DT-1CT	Ni1000	450 mm	6 mm

Technical Data

Electrical data	Electrical connection	Removable spring loaded terminal block max. 2.5 mm ²
	Cable entry	Cable gland with strain relief Ø6...8 mm
Functional data	Output signal passive temperature	Ni1000
	Application	Air Water
Measuring data	Measuring values	Temperature
	Measuring range temperature	-50...160°C [-60...320°F]
	Accuracy temperature passive	±0.4°C @ 0°C [±0.7°F @ 32°F]
	Measuring current	<0.3 mA @ 21°C [70°F]
	Time constant τ (63%) in air duct	typical 210 s @ 0 m/s typical 46 s @ 3 m/s
	Time constant τ (63%) in water pipe	with thermowell A-22P-A.. and thermal contact fluid typical 7 s with thermowell brass typical 9 s with thermowell stainless steel
Materials	Cable gland	Plug Adapter: PA66, black Nut: PA6, black
	Housing	Cover: Lexan, orange Bottom: Lexan, orange Seal: 0467 NBR70, black UV resistant
	Probe material	V4A (1.4404)

Safety data	Ambient humidity	Max. 95% r.H., non-condensing
	Ambient temperature	-35...50°C [-30...120°F]
	Fluid temperature	-50...160°C [-60...320°F]
	Housing surface temperature	Max. 90°C [195°F]
	Protection class IEC/EN	III Safety Extra-Low Voltage (SELV)
	Protection class UL	UL Class 2 Supply
	EU Conformity	CE Marking
	Certification IEC/EN	IEC/EN 60730-1
	Certification UL	cULus acc. to UL60730-1A/-2-9, CAN/CSA E60730-1:02/-2-9
	Degree of protection IEC/EN	IP65
	Degree of protection NEMA/UL	NEMA 4X
Quality Standard	ISO 9001	

Safety notes


This device has been designed for use in stationary heating, ventilation and air-conditioning systems and must not be used outside the specified field of application. Unauthorised modifications are prohibited. The product must not be used in relation with any equipment that in case of a failure may threaten humans, animals or assets. Ensure all power is disconnected before installing. Do not connect to live/operating equipment.

Only authorised specialists may carry out installation. All applicable legal or institutional installation regulations must be complied during installation.

The device contains electrical and electronic components and must not be disposed of as household refuse. All locally valid regulations and requirements must be observed.

Remarks

General remarks concerning sensors Due to self-heating with 2 wire passive sensors, the supply wire current affects the measurement accuracy. So the supply current should not be higher than the measuring current values specified in this data sheet.

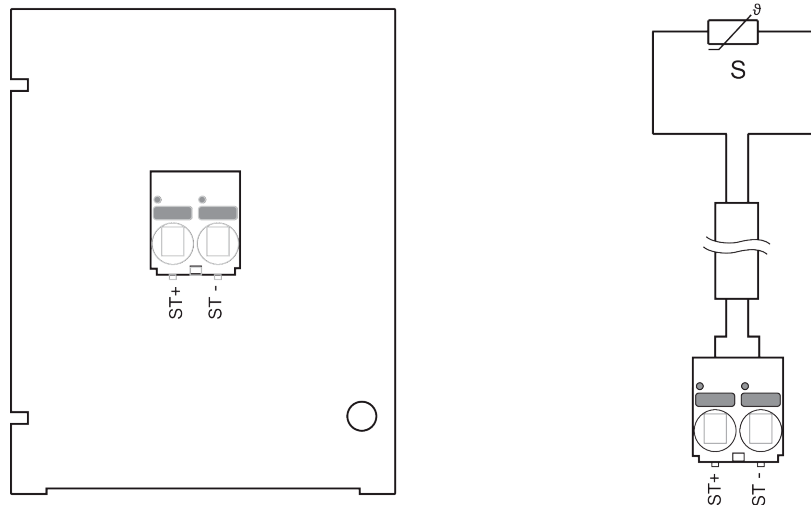
When using lengthy connecting cables (depending on the cross section used), the cable resistance must be taken into account. The lower the impedance of the sensor used, the greater the effect of the line resistance on the measurement, because it generates an offset.

Scope of delivery

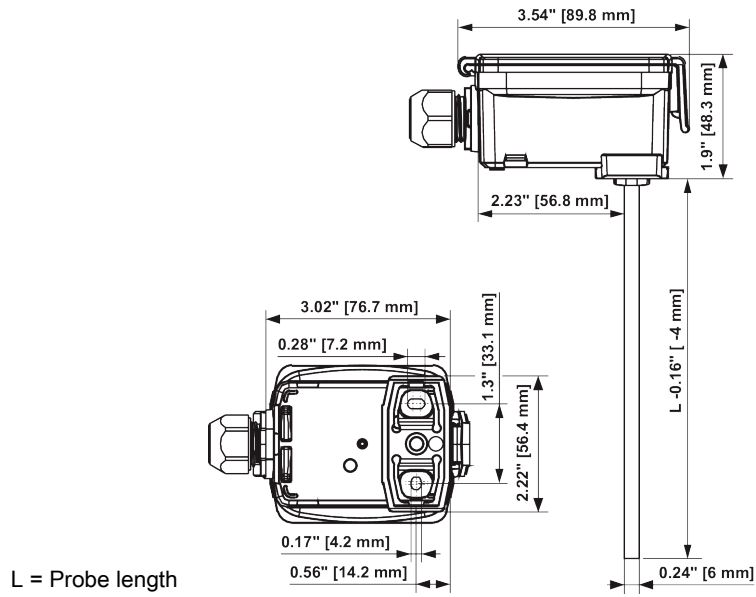
Scope of delivery	Description	Type
	Mounting clip, with screws and adhesive foil	A-22D-A11

Accessories

Optional accessories	Description	Type
	Mounting plate S housing	A-22D-A09
	Connection adapter, M20x1.5, for cable 1x6 mm,	A-22G-A01.1
Optional accessories air	Description	Type
	Mounting flange for sensor probe 6 mm, up to max. 120°C [248°F], Plastic	A-22D-A03
	Mounting flange for sensor probe 6 mm, up to max. 260°C, Brass	A-22D-A05
Recommended accessories water	Description	Type
	Thermowell pocket Stainless steel, 50 mm, G1/2", SW27	A-22P-A06
	Thermowell pocket Stainless steel, 100 mm, G1/2", SW27	A-22P-A08
	Thermowell pocket Stainless steel, 150 mm, G1/2", SW27	A-22P-A10
	Thermowell pocket Stainless steel, 200 mm, G1/2", SW27	A-22P-A12
	Thermowell pocket Stainless steel, 300 mm, G1/2", SW27	A-22P-A14
	Thermowell pocket Stainless steel, 450 mm, G1/2", SW27	A-22P-A16
	Thermowell pocket Brass, 50 mm, R1/2", SW22	A-22P-A18
	Thermowell pocket Brass, 100 mm, R1/2", SW22	A-22P-A20
	Thermowell pocket Brass, 150 mm, R1/2", SW22	A-22P-A22
	Thermowell pocket Brass, 200 mm, R1/2", SW22	A-22P-A24
	Thermowell pocket Brass, 300 mm, R1/2", SW22	A-22P-A26
	Thermowell pocket Brass, 450 mm, R1/2", SW22	A-22P-A28
	Syringe with thermal paste	A-22P-A44
	Compression fitting, Stainless steel, G 1/4" (external thread) for 6 mm, with cutting ring	A-22P-A45
	Cold barrier, Plastic, L 50 mm, for thermowell pocket A-22P-A..	A-22P-A51
	Adapter for Siemens thermowell pocket	A-22P-A53

Wiring diagram


Dimensions



Type	Probe length	Weight
01DT-1CH	50 mm	0.12 kg
01DT-1CL	100 mm	0.12 kg
01DT-1CN	150 mm	0.13 kg
01DT-1CP	200 mm	0.13 kg
01DT-1CR	300 mm	0.14 kg
01DT-1CT	450 mm	0.15 kg