

**Duct sensor Humidity / Temperature**

For measuring the relative or absolute humidity and temperature in duct applications. Instead of the humidity signal, the enthalpy or the dewpoint can be selected as an output signal. With BACnet MS/TP communication and integrated 0...10 V outputs. Nema 4X / IP65 rated enclosure.


**Type Overview**

| Type      | Communication | Output signal active temperature | Output signal active humidity |
|-----------|---------------|----------------------------------|-------------------------------|
| 22DTH-16M | BACnet MS/TP  | 0...5 V, 0...10 V                | 0...5 V, 0...10 V             |

**Technical Data**

|                        |                                   |  |
|------------------------|-----------------------------------|--|
| <b>Electrical data</b> | Nominal voltage                   | AC/DC 24 V   |
|                        | Nominal voltage range             | AC 19...29 V / DC 15...35 V  |
|                        | Power consumption AC              | 1.8 VA   |
|                        | Power consumption DC              | 0.7 W  |
|                        | Electrical connection             | Pluggable spring loaded terminal block max. 2.5 mm <sup>2</sup>  |
|                        | Cable entry                       | Cable gland with strain relief 2 x Ø6 mm   |
| <b>Functional data</b> | Sensor Technology                 | Polymer capacitive sensor with stainless steel wire mesh filter  |
|                        | Application                       | Air  |
|                        | Communicative control             | BACnet MS/TP   |
|                        | Voltage output                    | 2x 0...5 V, 0...10 V, min. load 10 kΩ  |
|                        | Output signal active note         | Output 0...5/10 V with Jumper adjustable   |
| <b>Measuring data</b>  | Measured values                   | Relative humidity<br>Absolute humidity<br>Dew point<br>Enthalpies<br>Temperature   |
|                        | Measuring range humidity          | Adjustable via BACnet<br>Default setting: 0...100% RH  |
|                        | Measuring range temperature       | Adjustable via BACnet<br>Default setting: -20...80°C [-5...175°F]<br>Attention: max. measuring temperature is restricted by max. fluid temperature (see Safety data) |
|                        | Measuring range absolute humidity | Adjustable via BACnet<br>Default setting: 0...80 g/m <sup>3</sup>  |
|                        | Measuring range enthalpy          | Adjustable via BACnet<br>Default setting: 0...85 kJ/kg   |
|                        | Measuring range dew point         | Adjustable via BACnet<br>Default setting: -20...80°C [-5...175°F]  |
|                        | Accuracy humidity                 | ±2% between 10...90% RH @ 21°C   |
|                        | Accuracy temperature active       | ±0.5°C @ 21°C [±0.9°F @ 70°F]  |
|                        | Long-term stability               | ±0.3% RH p.a. @ 21°C @ 50% RH<br>±0.05°C p.a. @ 21°C [±0.09°F p.a. @ 70°F]   |

|                       |  |   |
|-----------------------|--|---|
| <b>Measuring data</b> | Time constant $\tau$ (63%) in air duct | Relative humidity: typical 10 s @ 3 m/s<br>Temperature: typical 125 s @ 3 m/s |
|                       | <hr/>                                  |   |
| <b>Materials</b>      | Cable gland                            | PA6, black  |
|                       | Housing                                | Cover: PC, orange<br>Bottom: PC, orange<br>Seal: NBR70, black<br>UV resistant |
| <hr/>                 |  |   |
| <b>Safety data</b>    | Ambient humidity                       | Max. 95% RH, non-condensing   |
|                       | Fluid humidity                         | Short-term condensation permitted   |
|                       | Ambient temperature                    | -35...50°C [-30...120°F]  |
|                       | Fluid temperature                      | -40...80°C [-40...175°F]  |
|                       | Operating condition air flow           | max. 12 m/s   |
|                       | Protection class IEC/EN                | III, Safety Extra-Low Voltage (SELV)  |
|                       | Power source UL                        | Class 2 Supply  |
|                       | EU Conformity                          | CE Marking  |
|                       | Certification IEC/EN                   | IEC/EN 60730-1  |
|                       | Certification UL                       | cULus acc. to UL60730-1A/-2-9/-2-13, CAN/CSA E60730-1/-2-9                    |
|                       | Degree of protection IEC/EN            | IP65  |
|                       | Degree of protection NEMA/UL           | NEMA 4X   |
|                       | Quality Standard                       | ISO 9001  |
|                       | Mode of operation                      | Type 1  |
|                       | Pollution degree                       | 3   |
|                       | Rated impulse voltage supply           | 0.8 kV  |
| Construction          | Independently mounted control          |   |

**Safety notes**


This device has been designed for use in stationary heating, ventilation and air-conditioning systems and must not be used outside the specified field of application. Unauthorised modifications are prohibited. The product must not be used in relation with any equipment that in case of a failure may threaten humans, animals or assets.

Ensure all power is disconnected before installing. Do not connect to live/operating equipment. Only authorised specialists may carry out installation. All applicable legal or institutional installation regulations must be complied during installation.

The device contains electrical and electronic components and must not be disposed of as household refuse. All locally valid regulations and requirements must be observed.

**Remarks**

**General remarks concerning sensors** Sensing devices with a transducer should always be operated in the middle of the measuring range to avoid deviations at the measuring end points. The ambient temperature of transducer electronics should be kept constant. The transducers must be operated at a constant supply voltage ( $\pm 0.2$  V). When switching the supply voltage on/off, onsite power surges must be avoided.

**Build-up of Self-Heating by Electrical Dissipative Power**

Temperature sensors with electronic components always have a dissipative power which affects the temperature measurement of the ambient air. The dissipation in active temperature sensors shows a linear increase with rising operating voltage. The dissipative power should be taken into account when measuring temperature. In case of a fixed operating voltage ( $\pm 0.2$  V) this is normally done by adding or reducing a constant offset value. As Belimo transducers work with a variable operating voltage, only one operating voltage can be taken into consideration, for reasons of production engineering. Transducers 0...10 V / 4...20 mA have a standard setting at an operating voltage of DC 24 V. That means, that at this voltage, the expected measuring error of the output signal will be the least. For other operating voltages, the offset error will be increased by a changing power loss of the sensor electronics.

If a readjustment directly at the active sensor should be necessary during later operation, this can be done with the following adjustment methods.

- For sensors with NFC or dongle by the corresponding Belimo app
- For sensors with a trimming potentiometer on the sensor board
- For bus sensors via bus interface with a corresponding software variable

**Application notice for humidity sensors**

Refrain from touching the sensitive humidity sensor element. Touching the sensitive surface will void guarantee.

When exposed to harsh environmental conditions such as high ambient temperature and/or high levels of humidity, or presence of aggressive gases (i.e. chlorine, ozone, ammonia), the sensor element may be affected and readings may be outside the specified accuracy. Replacement of deteriorated humidity sensors due to harsh environmental conditions is not covered by the general guarantee.

The sensor shows best performance when operated within recommended normal temperature range of 5...60°C and humidity range of 20...80% r.H. Long-term exposure to conditions outside normal range, especially at high humidity, may temporarily offset the humidity signal (e.g. +3% r.H. after 60h kept at >80% r.H.). After returning into the normal temperature and humidity range the sensor will slowly come back to calibration state by itself.

**Scope of delivery**

| Scope of delivery | Description  | Type      |
|-------------------|--|-----------|
|                   | Mounting flange for duct sensor 19.5 mm, up to max. 120°C [248°F], Plastic | A-22D-A35 |
|                   | Cable Gland with strain relief $\varnothing 6...8$ mm                      |           |

**Accessories**

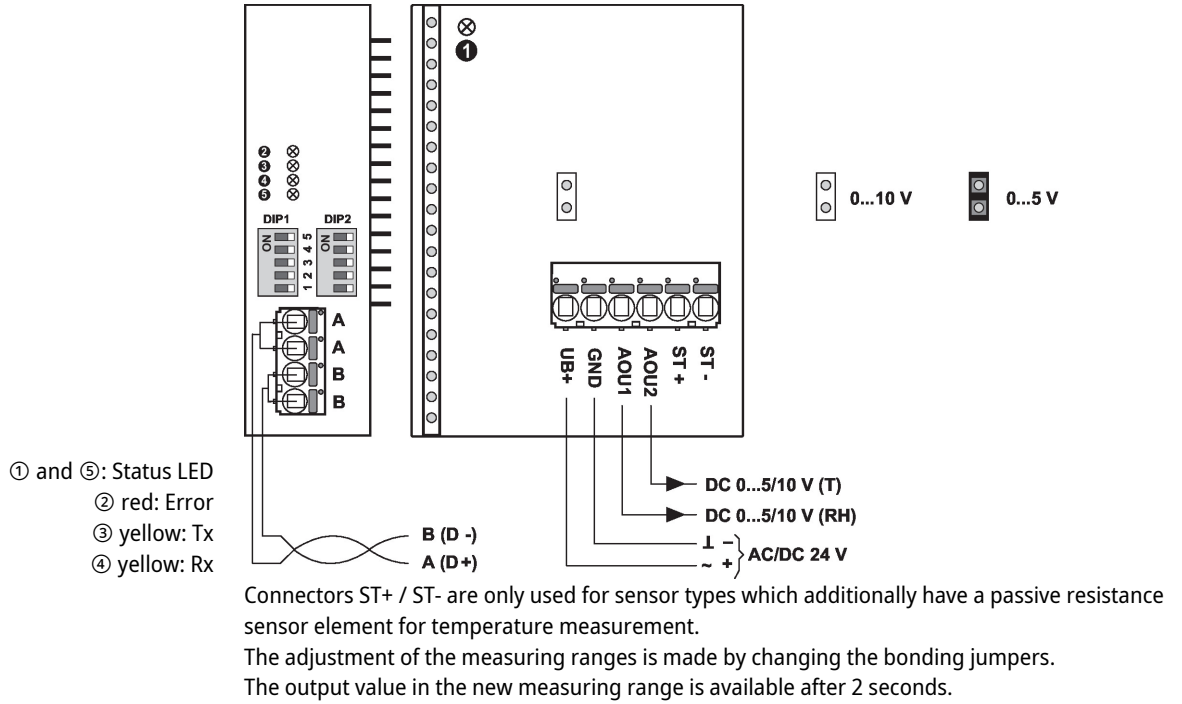
| Optional accessories | Description  | Type        |
|----------------------|--|-------------|
|                      | Replacement filter, wire mesh, Stainless steel                   | A-22D-A06   |
|                      | Mounting plate L housing   | A-22D-A10   |
|                      | Connection adapter, M20x1.5, for cable 1x6 mm, Multipack 10 pcs. | A-22G-A01.1 |
|                      | Connection adapter, M20, for cable 2 x 6 mm, Multipack 10 pcs.   | A-22G-A02.1 |

**Wiring diagram**
**Notes**


Supply from isolating transformer.

The wiring of the line for BACnet (MS/TP) has to be carried out in accordance with applicable RS485 regulations.

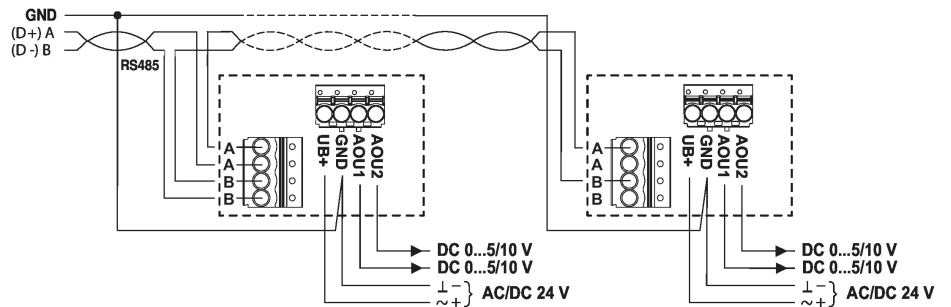
BACnet GND: Supply and communication are not galvanically isolated. Connect earth signal of the devices with one another.



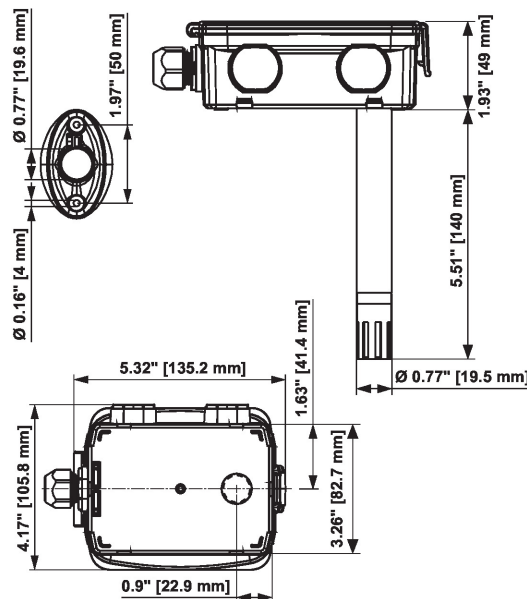
**Detailed documentation**

The separate document, BACnet PICS, informs about the PICS, MAC addressing and bus termination (DIP1 & DIP2).

**Wiring RS485 BACnet MS/TP**



**Dimensions**



| Type      | Probe length | Weight  |
|-----------|--------------|---------|
| 22DTH-16M | 140 mm       | 0.26 kg |