

Contact temperature sensor

Active contact temperature sensor (4...20 mA) for pipe applications. Spring loaded brass contact pin to ensure fast response and accurate reading. IP65 / NEMA 4X rated enclosure.


Type Overview

Type	Output signal active temperature
22HT-14	4...20 mA

Technical Data

Electrical data	Nominal voltage	DC 24 V			
	Nominal voltage range	DC 13.5...26.4 V			
	Power consumption DC	0.5 W			
	Electrical connection	Pluggable spring loaded terminal block max. 2.5 mm ²			
	Cable entry	Cable gland with strain relief Ø6...8 mm			
Functional data	Sensor Technology	Based on Pt1000 1/3 DIN			
	Multirange	8 measuring ranges selectable			
	Current output	1x 4...20 mA, max. load 500 Ω			
	Application	Water			
Measuring data	Measuring values	Temperature			
	Measuring range temperature	Active sensor: range selectable Attention: max. measuring temperature is restricted by max. fluid temperature (see Safety data)			
		Setting	range [°C]	range [°F]	Factory setting
		S0	-50...50	-30...130	
		S1	-10...120	0...250	
		S2	0...50	40...140	
		S3	0...250	30...480	
		S4	-15...35	0...100	
		S5	0...100	40...240	✓
		S6	-20...80	40...90	
	S7	0...160	0...150		
	Accuracy temperature active	±0.5°C @ 21°C [±0.9°F @ 70°F]			
	Long-term stability	±0.04°C p.a. @ 21°C [±0.07°F p.a. @ 70°F]			
	Time constant τ (63%) on water pipe	With thermal contact fluid Typical 16 s			
Materials	Cable gland	PA6, black			
	Housing	Cover: Lexan, orange Bottom: Lexan, orange Seal: 0467 NBR70, black UV resistant			
Safety data	Ambient humidity	Max. 95% r.H., non-condensing			
	Ambient temperature	-35...50°C [-30...120°F]			

Fluid temperature	-35...70°C [-30...160°F]
Housing surface temperature	Max. 70°C [160°F]
Protection class IEC/EN	III Protective extra-low voltage (PELV)
Protection class UL	UL Class 2 Supply
EU Conformity	CE Marking
Certification IEC/EN	IEC/EN 60730-1
Certification UL	cULus acc. to UL60730-1A/-2-9, CAN/CSA E60730-1:02/-2-9
Degree of protection IEC/EN	IP65
Degree of protection NEMA/UL	NEMA 4X
Quality Standard	ISO 9001

Safety notes


This device has been designed for use in stationary heating, ventilation and air-conditioning systems and must not be used outside the specified field of application. Unauthorised modifications are prohibited. The product must not be used in relation with any equipment that in case of a failure may threaten humans, animals or assets.

Ensure all power is disconnected before installing. Do not connect to live/operating equipment.

Only authorised specialists may carry out installation. All applicable legal or institutional installation regulations must be complied during installation.

The device contains electrical and electronic components and must not be disposed of as household refuse. All locally valid regulations and requirements must be observed.

Remarks
General remarks concerning sensors

When using lengthy connection wires (depending on the cross section used) the measuring result might be falsified due to a voltage drop at the common GND-wire (caused by the voltage current and the line resistance). In this case, 2 GND-wires must be wired to the sensor - one for supply voltage and one for the measuring current.

Sensing devices with a transducer should always be operated in the middle of the measuring range to avoid deviations at the measuring end points. The ambient temperature of transducer electronics should be kept constant. The transducers must be operated at a constant supply voltage (± 0.2 V). When switching the supply voltage on/off, onsite power surges must be avoided.

Build-up of Self-Heating by Electrical Dissipative Power

Temperature sensors with electronic components always have a dissipative power which affects the temperature measurement of the ambient air. The dissipation in active temperature sensors shows a linear increase with rising operating voltage. The dissipative power should be taken into account when measuring temperature. In case of a fixed operating voltage (± 0.2 V) this is normally done by adding or reducing a constant offset value. As Belimo transducers work with a variable operating voltage, only one operating voltage can be taken into consideration, for reasons of production engineering. Transducers 0...10 V / 4...20 mA have a standard setting at an operating voltage of DC 24 V. That means, that at this voltage, the expected measuring error of the output signal will be the least. For other operating voltages, the offset error will be increased by a changing power loss of the sensor electronics.

If a readjustment directly at the active sensor should be necessary during later operation, this can be done with the following adjustment methods.

- For sensors with NFC or dongle by the corresponding Belimo app
- For sensors with a trimming potentiometer on the sensor board
- For bus sensors via bus interface with a corresponding software variable

Scope of delivery

Scope of delivery	Description	Type
	Fixing strap, for pipes up to \varnothing 40...110 mm [1.6...4.3"]	A-22P-A47

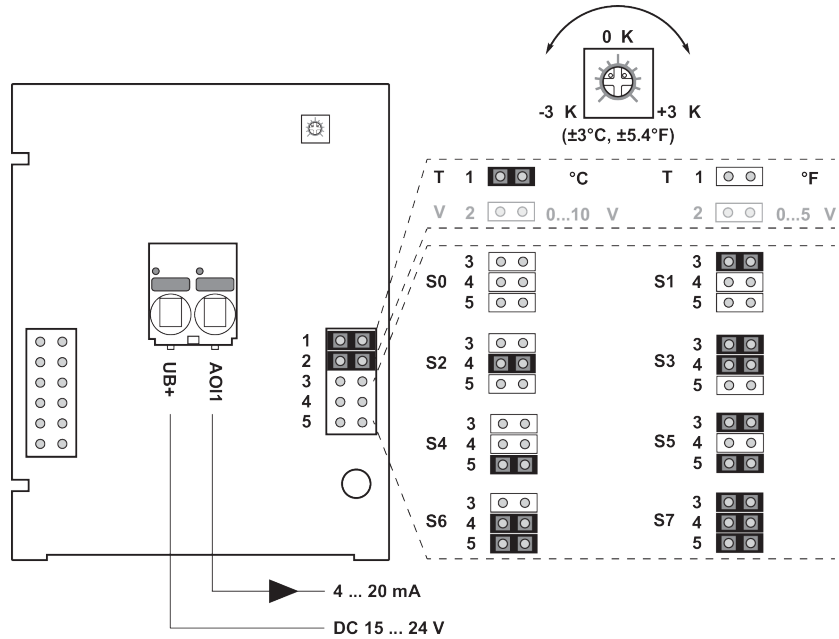
Accessories

Optional accessories	Description	Type
	Connection adapter, M20x1.5, for cable 1x6 mm, Multipack 10 pcs.	A-22G-A01.1

Syringe with thermal paste
Fixing strap, for pipes up to Ø 40...250 mm [1.6...9.8"]

A-22P-A44
A-22P-A49

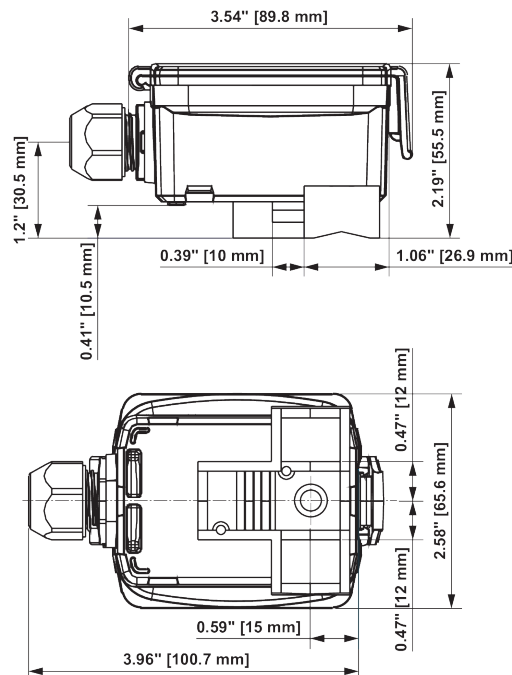
Wiring diagram



The adjustment of the measuring ranges is made by changing the bonding jumpers. The output value in the new measuring range is available after 2 seconds.

Setting	range [°C]	range [°F]	Factory setting
S0	-50...50	-30...130	
S1	-10...120	0...250	
S2	0...50	40...140	
S3	0...250	30...480	
S4	-15...35	0...100	
S5	0...100	40...240	✓
S6	-20...80	40...90	
S7	0...160	0...150	

Dimensions



Type	Weight
22HT-14	0.15 kg