

Outdoor sensor with weather and radiated heat shield Humidity / Temperature

Active humidity and temperature sensor for outside applications. The radiation shield protects the outside sensors from rain and radiated heat. With the curved shape and color of the plates air flow is able to move across the sensors to keep radiated temperatures from rooftops and surrounding surfaces from affecting humidity readings. With BACnet MS/TP communication and integrated 0...10V outputs. NEMA 4X / IP65 rated enclosure.


**Type Overview**

Type	Communication	Output signal active temperature	Output signal active humidity
22UTH-160X	BACnet MS/TP	0...5 V, 0...10 V	0...5 V, 0...10 V

**Technical Data**

<b>Electrical data</b>	Nominal voltage	AC/DC 24 V
	Nominal voltage range	AC 19...29 V / DC 15...35 V
	Power consumption AC	1.8 VA
	Power consumption DC	0.7 W
	Electrical connection	Pluggable spring loaded terminal block max. 2.5 mm <sup>2</sup>
	Cable entry	Cable gland with strain relief 2 x Ø6 mm
<b>Functional data</b>	Sensor Technology	Polymer capacitive sensor with stainless steel wire mesh filter
	Application	Air
	Communicative control	BACnet MS/TP
	Voltage output	2x 0...5 V, 0...10 V, min. load 10 kΩ
	Output signal active note	Output 0...5/10 V with Jumper adjustable
<b>Measuring data</b>	Measured values	Relative humidity Absolute humidity Dew point Enthalpies Temperature
	Measuring range humidity	Adjustable via BACnet Default setting: 0...100% RH
	Measuring range temperature	Adjustable via BACnet Default setting: -20...80°C [-5...175°F] Attention: max. measuring temperature is restricted by max. fluid temperature (see Safety data)
	Measuring range absolute humidity	Adjustable via BACnet Default setting: 0...80 g/m <sup>3</sup>
	Measuring range enthalpy	Adjustable via BACnet Default setting: 0...85 kJ/kg
	Measuring range dew point	Adjustable via BACnet Default setting: -20...80°C [-5...175°F]
	Accuracy humidity	±2% between 10...90% RH @ 21°C
	Accuracy temperature active	±0.5°C @ 21°C [±0.9°F @ 70°F]
	Time constant τ (63%) in the room	Relative humidity: typical 16 s Temperature: typical 351 s

<b>Materials</b>	Cable gland	PA6, white
	Housing	Cover: PC, white Bottom: PC, white Seal: NBR70, black UV resistant
<b>Safety data</b>	Ambient humidity	Short-term condensation permitted
	Fluid humidity	Short-term condensation permitted
	Ambient temperature	-35...50°C [-30...120°F]
	Fluid temperature	-35...50°C [-30...120°F]
	Operating condition air flow	max. 12 m/s
	Protection class IEC/EN	III, Safety Extra-Low Voltage (SELV)
	Power source UL	Class 2 Supply
	EU Conformity	CE Marking
	Certification IEC/EN	IEC/EN 60730-1
	Degree of protection IEC/EN	IP65
	Degree of protection NEMA/UL	NEMA 4X
	Enclosure	UL Enclosure Type 4X
	Quality Standard	ISO 9001
	Mode of operation	Type 1
	Pollution degree	3
Rated impulse voltage supply	0.8 kV	
Construction	Independently mounted control	

**Safety notes**


This device has been designed for use in stationary heating, ventilation and air-conditioning systems and must not be used outside the specified field of application. Unauthorised modifications are prohibited. The product must not be used in relation with any equipment that in case of a failure may threaten humans, animals or assets.

Ensure all power is disconnected before installing. Do not connect to live/operating equipment.

Only authorised specialists may carry out installation. All applicable legal or institutional installation regulations must be complied during installation.

The device contains electrical and electronic components and must not be disposed of as household refuse. All locally valid regulations and requirements must be observed.

**Remarks**

**General remarks concerning sensors** When using lengthy connection wires (depending on the cross section used) the measuring result might be falsified due to a voltage drop at the common GND-wire (caused by the voltage current and the line resistance). In this case, 2 GND-wires must be wired to the sensor - one for supply voltage and one for the measuring current.

Sensing devices with a transducer should always be operated in the middle of the measuring range to avoid deviations at the measuring end points. The ambient temperature of transducer electronics should be kept constant. The transducers must be operated at a constant supply voltage ( $\pm 0.2$  V). When switching the supply voltage on/off, onsite power surges must be avoided.

**Build-up of Self-Heating by Electrical Dissipative Power**

Temperature sensors with electronic components always have a dissipative power which affects the temperature measurement of the ambient air. The dissipation in active temperature sensors shows a linear increase with rising operating voltage. The dissipative power should be taken into account when measuring temperature. In case of a fixed operating voltage ( $\pm 0.2$  V) this is normally done by adding or reducing a constant offset value. As Belimo transducers work with a variable operating voltage, only one operating voltage can be taken into consideration, for reasons of production engineering. Transducers 0...10 V / 4...20 mA have a standard setting at an operating voltage of DC 24 V. That means, that at this voltage, the expected measuring error of the output signal will be the least. For other operating voltages, the offset error will be increased by a changing power loss of the sensor electronics.

If a readjustment directly at the active sensor should be necessary during later operation, this can be done with the following adjustment methods.

- For sensors with NFC or dongle by the corresponding Belimo app
- For sensors with a trimming potentiometer on the sensor board
- For bus sensors via bus interface with a corresponding software variable

**Application notice for humidity sensors**

Refrain from touching the sensitive humidity sensor element. Touching the sensitive surface will void guarantee.

When exposed to harsh environmental conditions such as high ambient temperature and/or high levels of humidity, or presence of aggressive gases (i.e. chlorine, ozone, ammonia), the sensor element may be affected and readings may be outside the specified accuracy. Replacement of deteriorated humidity sensors due to harsh environmental conditions is not covered by the general guarantee.

The sensor shows best performance when operated within recommended normal temperature range of 5...60°C and humidity range of 20...80% r.H. Long-term exposure to conditions outside normal range, especially at high humidity, may temporarily offset the humidity signal (e.g. +3% r.H. after 60h kept at >80% r.H.). After returning into the normal temperature and humidity range the sensor will slowly come back to calibration state by itself.

**Scope of delivery**

Dowel  
Screws  
Cable Gland with strain relief  $\varnothing 6...8$  mm

**Accessories**

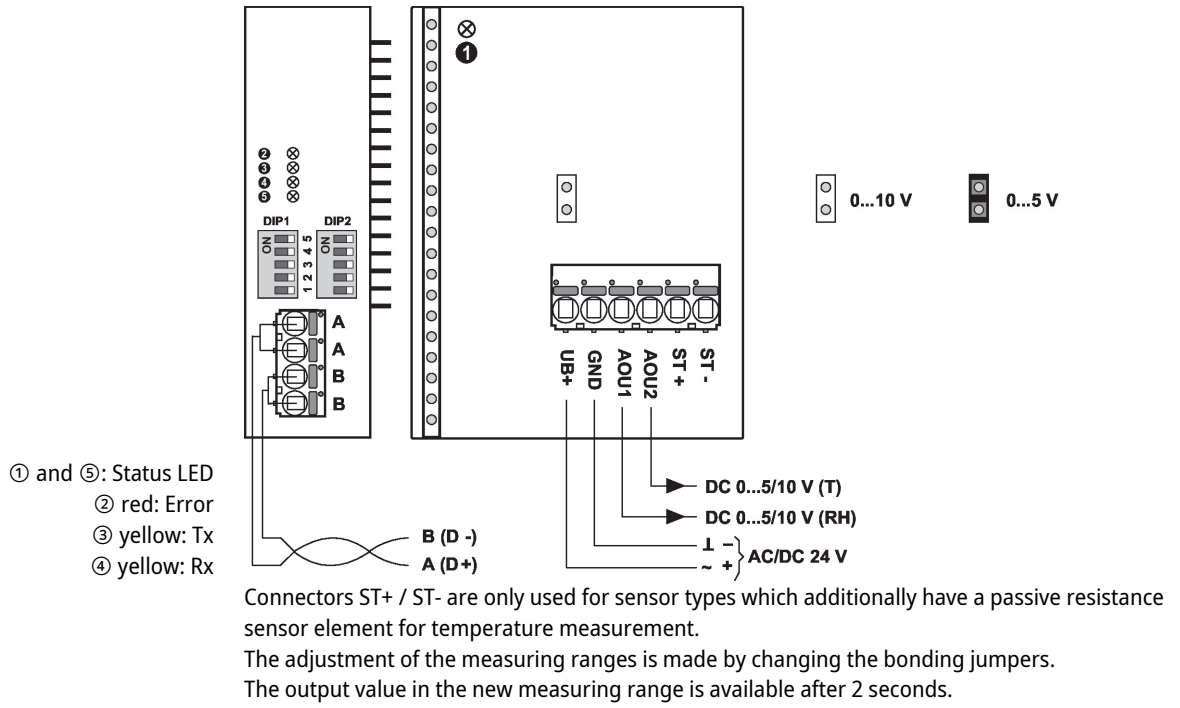
Optional accessories	Description	Type
	Replacement filter, wire mesh, Stainless steel	A-22D-A06

**Wiring diagram**
**Notes**


Supply from isolating transformer.

The wiring of the line for BACnet (MS/TP) has to be carried out in accordance with applicable RS485 regulations.

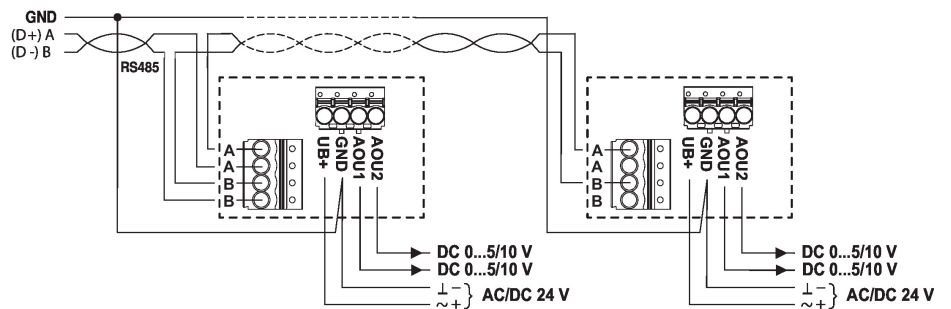
BACnet GND: Supply and communication are not galvanically isolated. Connect earth signal of the devices with one another.



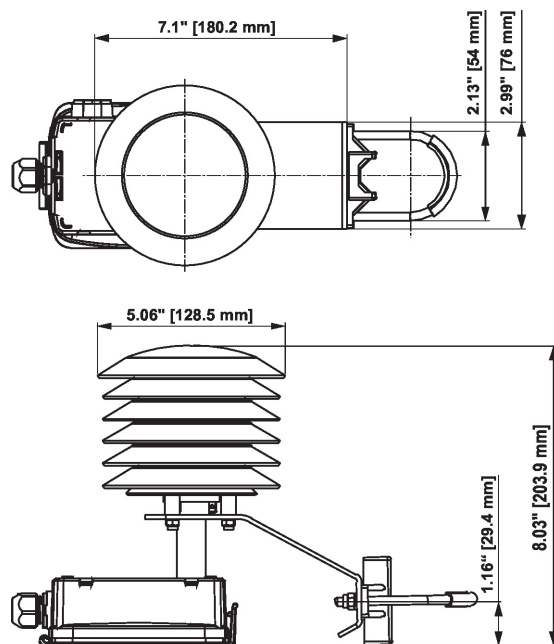
Detailed documentation

The separate document, BACnet PICS, informs about the PICS, MAC addressing and bus termination (DIP1 & DIP2).

Wiring RS485 BACnet MS/TP



Dimensions



Type	Weight
22UTH-160X	0.67 kg