

Shaft extension 170 mm

- Length ca. 170 mm
- for damper spindles  $\varnothing$  6...16 mm
- shaft extension  $\varnothing$  10 mm

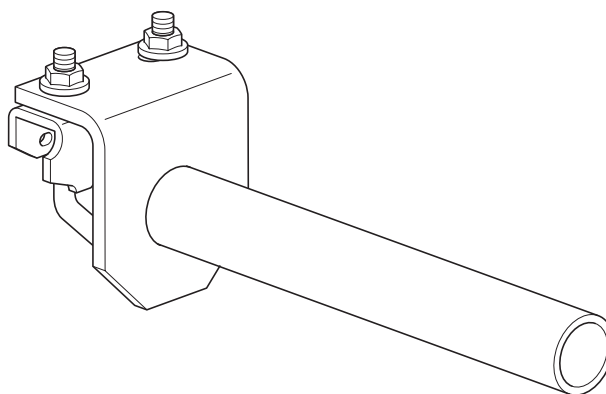


**Technical data**

<b>Weight</b>	Weight	0.19 kg
	Packaging size	Single-pack

**Product features**

<b>Used materials</b>	Galvanised steel
<b>Application</b>	Suitable for CM..., LF..., LM..A, LMC..A, TF..., TMC..A



**Dimensions [mm]**

**Dimensional drawings**

