

Shaft extension 240 mm

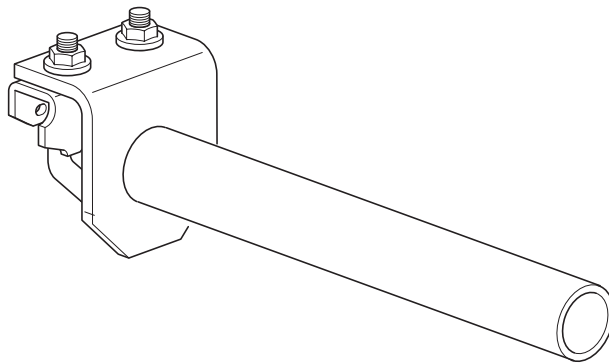
- Length approx. 240 mm
- for damper spindles \varnothing 8...22.7 mm
- for damper spindles \varnothing 10...22.7 mm (actuators > 7 Nm)
- shaft extension \varnothing 20 mm


Technical data

| | | |
|---------------|----------------|-------------|
| Weight | Weight | 0.403 kg |
| | Packaging size | Single-pack |

Product features

| | |
|-----------------------|--|
| Used materials | Galvanised steel |
| Application | Suitable for LF..., LMQ..A, NF..A, NKQ..A, NM..A, NMC..A, NMD..A, NMQ..A, SF..A, SM..A, SMC..A, SMD..A |


Dimensions [mm]
Dimensional drawings
