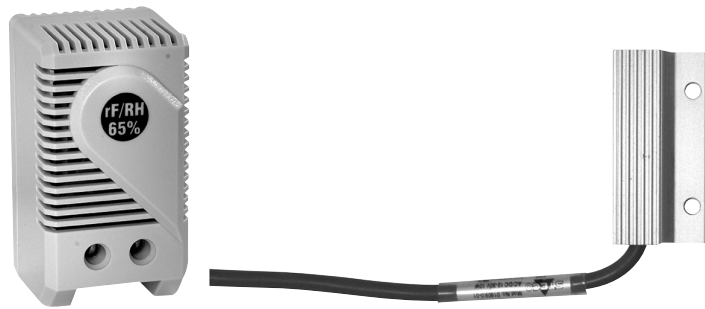


Heating with mechanical humidistat to preclude the formation of condensation water in RobustLine actuators with IP66/67 protective housing

- Nominal voltage AC 120...240
- Humidistat permanently set (65% r.H.)
- Note: The combination of heating with humidistat can not be ordered as accessories


Technical data

Electrical data	Nominal voltage	AC 120...240
	Nominal voltage note	when the heating is operated under AC 140 V, the heating performance is reduced by approximately 10%
	Nominal voltage range	AC 110...265 V
	Connection supply / control	Terminals (2.5 mm ² Cu wire or 1.5 mm ² Cu strands, 2-wire)
	Type of contact	Normally open contact
	Heating output	21 W
	Switch-on current	Max. 2.5 A
Functional data	Service life	>100,000 cycles
	Switching accuracy	±5% r.H.
	Switching differential (humidity)	4% r.H. (±3% tolerance)
	Heating element	Positive temperature coefficient resistor (PTC), self-regulating, temperature-limiting
	Settings	65% r.H. fixed
Safety	EMC	CE according to 2014/30/EU
	Low voltage directive	CE according to 2014/35/EU
	Ambient temperature	gemäss IP66/67-Klappenantrieb
	Non-operating temperature	gemäss IP66/67-Klappenantrieb
Materials	Heater	Aluminium profile, anodised

Safety notes


- It is absolutely imperative that operators ensure that both heating device and actuator are disconnected from the voltage source before settings or manipulations are carried out on the device.
- Caution: Power supply voltage!
- The heating device itself is not permitted to be removed. The entire actuator must be replaced when repair or warranty work is being performed!
- The following points must be taken into account with independent, external wiring:
 - All contact between the cables or wires that are introduced and the heating element is to be avoided.
 - Where necessary, use cables with sufficient numbers of wires, so that e.g. the heating and the actuator can be supplied separately with voltage (see «Electrical Installation»).
 - All legal regulations or regulations issued by authorities must be observed.

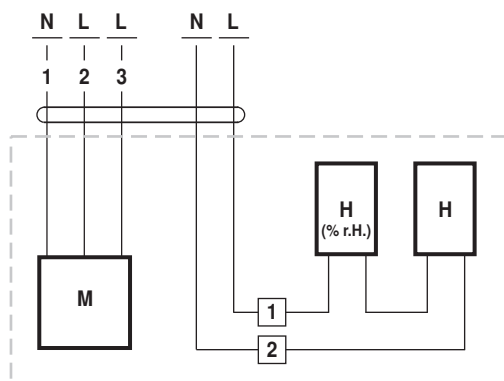
Product features

Application The humidistat records the amount of dampness in the ambient air inside the actuator housing and switches the connected heating system on when the permanently set air humidity level of 65% r.H. is exceeded. This prevents the formation of condensation on assemblies and electronic components.

Electrical installation

Wiring diagrams

Examples of external wiring with actuator types ..230P..



M = Actuator
H (% r.H.) = Humidistat
H = Heating