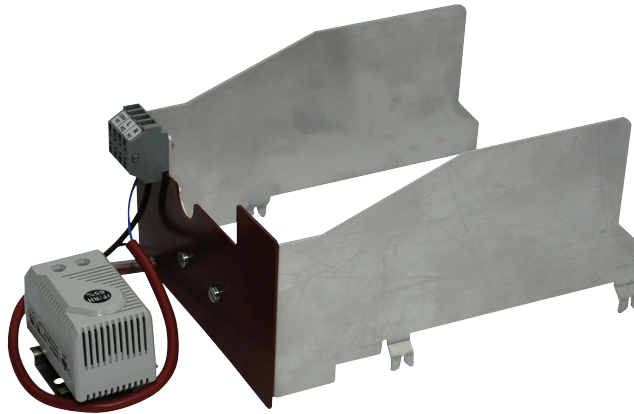


Heating with mechanical humidistat to preclude the formation of condensation water in actuators with IP66/NEMA4 protective housing

- Nominal voltage AC/DC 24 V
- Humidistat permanently set (65% r.H.)
- **Note:** The combination of heating with humidistat can not be ordered as accessories


**Technical data**

<b>Electrical data</b>	Nominal voltage	AC/DC 24 V
	Nominal voltage range	AC 19.2...28.8 V / DC 21.6...28.8 V
	Connection supply / control	Terminals (cable 0.75...1.5 mm <sup>2</sup> , 2-wire)
	Type of contact	Normally open contact
	Heating output	21 W
	Switch-on current	Max. 6 A
<b>Functional data</b>	Service life	>100,000 cycles
	Switching accuracy	±5% r.H.
	Switching differential (humidity)	4% r.H. (±3% tolerance)
	Heating element	Positive temperature coefficient resistor (PTC), self-regulating, temperature-limiting
	Settings	65% r.H. fixed
<b>Safety</b>	EMC	CE according to 2014/30/EU
	Ambient temperature	according to IP66/NEMA4 damper actuator
	Non-operating temperature	according to IP66/NEMA4 damper actuator
<b>Materials</b>	Heater	Aluminium profile, anodised

**Safety notes**


- It is absolutely imperative that operators ensure that both heating device and actuator are disconnected from the voltage source before settings or manipulations are carried out on the device.
- The heating device itself is not permitted to be removed. The entire actuator must be replaced when repair or warranty work is being performed!
- The following points must be taken into account with independent, external wiring:
  - All contact between the cables or wires that are introduced and the heating element is to be avoided.
  - Where necessary, use cables with sufficient numbers of wires, so that e.g. the heating and the actuator can be supplied separately with voltage (see «Electrical Installation»).
  - All legal regulations or regulations issued by authorities must be observed.

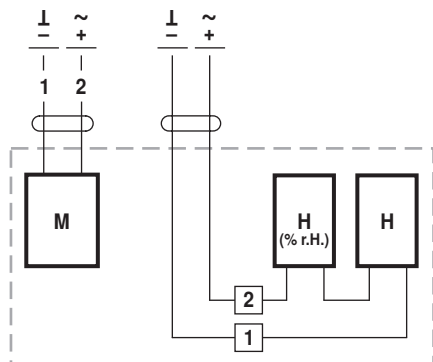
**Product features**

- Application** The humidistat records the amount of dampness in the ambient air inside the actuator housing and switches the connected heating system on when the permanently set air humidity level of 65% r.H. is exceeded. This prevents the formation of condensation on assemblies and electronic components.

Electrical installation

Wiring diagrams

Examples of external wiring with actuator types ..24G..



M = Actuator  
 H (% r.H.) = Humidistat  
 H = Heating