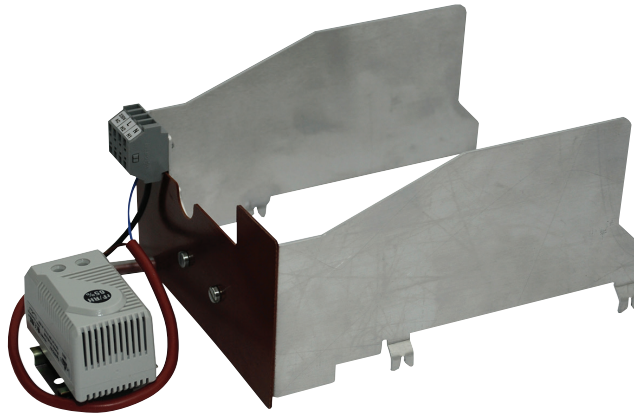


Heating with adjustable thermostat to preclude insufficient temperatures and the formation of condensation water in actuators with IP66/NEMA4 protective housing

- Nominal voltage AC/DC 24 V
- Thermostat adjustable (-10...50 °C)
- Note: The combination of heating with thermostat can not be ordered as accessories


Technical data

Electrical data	Nominal voltage	AC/DC 24 V
	Nominal voltage range	AC 19.2...28.8 V / DC 21.6...28.8 V
	Connection supply / control	Terminals (cable 0.75...1.5 mm ² , 2-wire)
	Type of contact	Normally closed contact
	Heating output	21 W
	Switch-on current	Max. 6 A
Functional data	Service life	>100,000 cycles
	Range	-10...50 °C (factory setting 30 °C)
	Switching differential (temperature)	7 K (±4 K tolerance)
	Heating element	Positive temperature coefficient resistor (PTC), self-regulating, temperature-limiting
Safety	EMC	CE according to 2014/30/EU
	Ambient temperature	according to IP66/NEMA4 damper actuator
	Non-operating temperature	according to IP66/NEMA4 damper actuator
Materials	Heater	Aluminium profile, anodised
	Sensor element	Thermobimetal

Safety notes

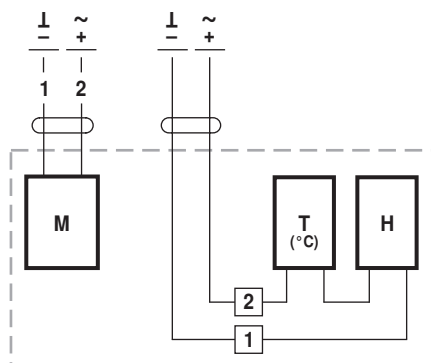

- It is absolutely imperative that operators ensure that both heating device and actuator are disconnected from the voltage source before settings or manipulations are carried out on the device.
- The heating device itself is not permitted to be removed. The entire actuator must be replaced when repair or warranty work is being performed!
- The self-regulating function of the PTC heating element is not a substitute for the utilisation of the installed thermostat!
- The maximum differential between the lowest ambient temperature to be anticipated and the closing point setting must be <70 °C. The switch element could otherwise become damaged.
- The following points must be taken into account with independent, external wiring:
 - All contact between the cables or wires that are introduced and the heating element is to be avoided.
 - Where necessary, use cables with sufficient numbers of wires, so that e.g. the heating and the actuator can be supplied separately with voltage (see «Electrical Installation»).
 - All legal regulations or regulations issued by authorities must be observed.

Product features

Application The thermostat records the temperature in the actuator housing and switches the connected heating system on when the temperature falls below the one that has been set. This prevents the formation of condensation on assemblies and electronic components, even in the presence of frequent and severe temperature fluctuations. The heating elements is designed for continuous operation.

Electrical installation**Wiring diagrams**

Examples of external wiring with actuator types ..24G..



M = Actuator
T (°C) = Thermostat
H = Heating