

**Changeover ball valve, 3-way, Internal thread**

- For open and closed cold and warm water systems
- For switching functions and 2-point controls on the water side of air-handling units and heating systems
- Air-bubble tight


**Type overview**

Type	DN [ ]	Rp ["]	kvs [ m <sup>3</sup> /h]	PN [ ]
R3015-BL1	15	1/2	5.5	40
R3020-BL2	20	3/4	11	40
R3025-BL2	25	1	10	40
R3032-BL2	32	1 1/4	9	40
R3032-BL3	32	1 1/4	15	25
R3040-BL3	40	1 1/2	14	25
R3040-BL4	40	1 1/2	47	25
R3050-BL3	50	2	24	25
R3050-BL4	50	2	75	25

**Technical data**

Functional data	Fluid	
		Cold and warm water, water with glycol up to max. 50% vol.
Fluid temperature		-10...100°C
Fluid temperature note		At a fluid temperature of -10...2°C, a stem heating or a valve neck extension is recommended. The allowed fluid temperature can be limited, depending on the type of actuator. Limitations can be found in the respective data sheets of the actuators.
Close-off pressure $\Delta p_s$		500 kPa
Differential pressure $\Delta p_{max}$		350 kPa
Differential pressure note		200 kPa for low-noise operation
Leakage rate		air-bubble tight, leakage rate A (EN 12266-1)
Angle of rotation		90°
Pipe connectors		Internal thread according to ISO 7-1
Installation position		upright to horizontal (in relation to the stem)
Servicing		maintenance-free
Materials	Housing	Nickel-plated brass body
	Closing element	Chrome-plated brass
	Stem	Nickel-plated brass
	Stem seal	EPDM O-ring
	Seat	PTFE, O-ring EPDM

## Safety notes



- The valve has been designed for use in stationary heating, ventilation and air-conditioning systems and must not be used outside the specified field of application, especially in aircraft or in any other airborne means of transport.
- Only authorised specialists may carry out installation. All applicable legal or institutional installation regulations must be complied during installation.
- The valve does not contain any parts that can be replaced or repaired by the user.
- The valve may not be disposed of as household refuse. All locally valid regulations and requirements must be observed.
- When determining the flow rate characteristic of controlled devices, the recognised directives must be observed.

## Product features

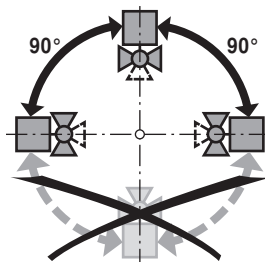
**Mode of operation** The change-over ball valve is adjusted by a rotary actuator. The rotary actuator is connected by an open/close signal.

## Accessories

	Description	Type
<b>Electrical accessories</b>	Stem heating DN 15...50 (20 W)	ZR24-2
	Description	Type
<b>Mechanical accessories</b>	Pipe connector for ball valve DN 15 Rp 1/2"	ZR2315
	Pipe connector for ball valve DN 20 Rp 3/4"	ZR2320
	Pipe connector for ball valve DN 25 Rp 1"	ZR2325
	Pipe connector for ball valve DN 32 Rp 1 1/4"	ZR2332
	Pipe connector for ball valve DN 40 Rp 1 1/2"	ZR2340
	Pipe connector for ball valve DN 50 Rp 2"	ZR2350
	Valve neck extension for ball valve DN15...50	ZR-EXT-01

## Installation notes

**Recommended installation positions** The ball valve can be installed upright to horizontal. The ball valve may not be installed in a hanging position, i.e. with the stem pointing downwards.

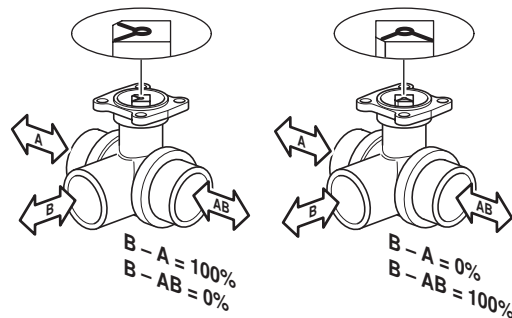


**Water quality requirements** The water quality requirements specified in VDI 2035 must be adhered to. Belimo valves are regulating devices. For the valves to function correctly in the long term, they must be kept free from particle debris (e.g. welding beads during installation work). The installation of a suitable strainer is recommended.

**Servicing** Ball valves and rotary actuators are maintenance-free. Before any service work on the final controlling device is carried out, it is essential to isolate the rotary actuator from the power supply (by unplugging the electrical cable if necessary). Any pumps in the part of the piping system concerned must also be switched off and the appropriate slide valves closed (allow all components to cool down first if necessary and always reduce the system pressure to ambient pressure level). The system must not be returned to service until the ball valve and the rotary actuator have been correctly reassembled in accordance with the instructions and the pipeline has been refilled by professionally trained personnel.

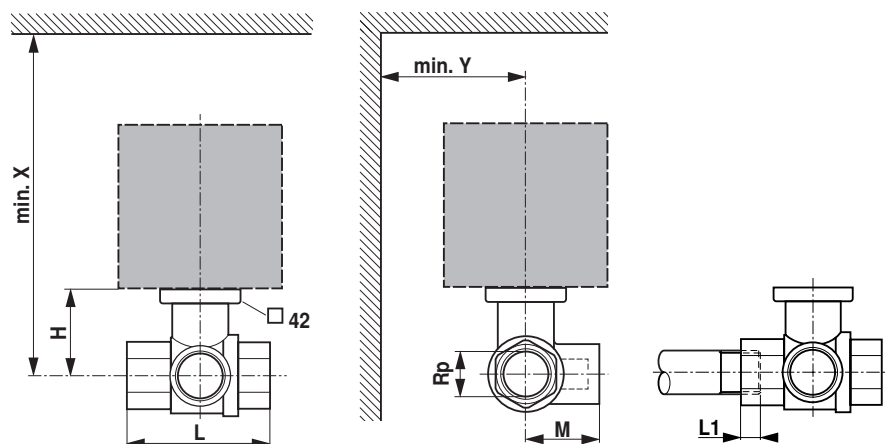
## Installation notes

**Flow direction** Please also ensure that the balls are in the correct position (marking on the spindle). Normally, the port designation AB is the quantity constant with 3-way valves. In the case of the BL versions, port B is designated the quantity constant.



## Dimensions / Weight

### Dimensional drawings



L1: Maximum screwing depth.

X/Y: Minimum distance with respect to the valve centre.

The actuator dimensions can be found on the respective actuator data sheet.

Type	DN [ ]	Rp ["]	L [ mm]	L1 [ mm]	M [ mm]	H [ mm]	X [ mm]	Y [ mm]	Weight
R3015-BL1	15	1/2	67	13	36	44	230	90	0.35 kg
R3020-BL2	20	3/4	78	14	41.5	46	235	90	0.47 kg
R3025-BL2	25	1	87	16	45	46	235	90	0.61 kg
R3032-BL2	32	1 1/4	105	19	55.5	46	240	90	0.90 kg
R3032-BL3	32	1 1/4	105	19	55.5	50.5	240	90	0.93 kg
R3040-BL3	40	1 1/2	111	19	56	50.5	240	90	1.2 kg
R3040-BL4	40	1 1/2	122	19	66.5	62	250	90	1.8 kg
R3050-BL3	50	2	125	22	68	56	245	90	1.8 kg
R3050-BL4	50	2	142	22	79	68	262	90	2.7 kg

## Further documentation

- The complete product range for water applications
- Data sheets for actuators
- Installation instructions for actuators and/or ball valves
- General notes for project planning