

**Auxiliary switch for damper actuators and rotary actuators**

- one switch (SPDT)
- Adjustable switching point


**Technical data**

<b>Electrical data</b>	Auxiliary switch	1 x SPDT, 0...100%, adjustable
	Switching capacity auxiliary switch	1 mA...3 (0.5 inductive) A, AC 250 V (II reinforced insulation), 1 mA...0.5 (0.2 inductive; L/R = 3.4 ms) A, DC 110 V (II reinforced insulation)
	Switching points auxiliary switch	Adjustable across the entire range of rotation 0...1 of the actuator. Presetting with scale possible.
	Connection auxiliary switch	Cable 1 m, 3 x 0.75 mm <sup>2</sup>
<b>Safety</b>	Protection class IEC/EN	II reinforced insulation
	Protection class UL	II reinforced insulation
	Degree of protection IEC/EN	IP54
	Degree of protection NEMA/UL	NEMA 2
	Enclosure	UL Enclosure Type 2
	EMC	CE according to 2014/30/EU
	Low voltage directive	CE according to 2014/35/EU
	Certification IEC/EN	IEC/EN 60730-1 and IEC/EN 60730-2-14
	Certification UL	cULus according to UL60730-1A, UL60730-2-14 and CAN/CSA E60730-1:02
	Mode of operation	Type 1.B
Rated impulse voltage auxiliary switch	4 kV	
Control pollution degree	3	
Ambient temperature	-30...50 °C	
Storage temperature	-40...80 °C	
Ambient humidity	Max. 95% r.H., non-condensing	
Maintenance	Maintenance-free	

**Safety notes**

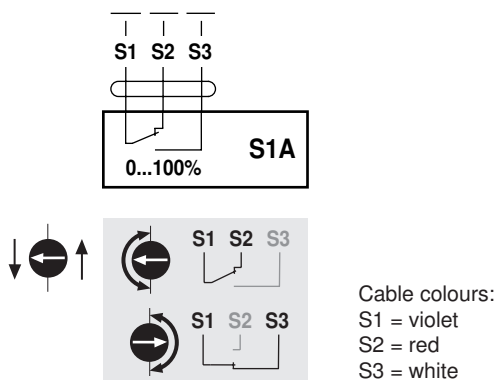

- The device must not be used outside the specified field of application, especially not in aircraft or in any other airborne means of transport.
- Only authorised specialists may carry out installation. All applicable legal or institutional installation regulations must be complied during installation.
- The device may only be opened at the manufacturer's site. It does not contain any parts that can be replaced or repaired by the user.
- Cables must not be removed from the device.
- The device contains electrical and electronic components and must not be disposed of as household refuse. All locally valid regulations and requirements must be observed.

## Product features

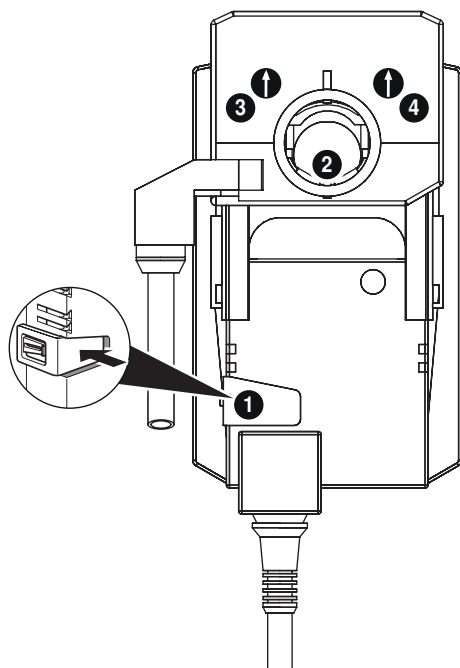
- Mode of operation** A carrier plate uses adaption to make a positive fit on the spindle clamp (damper actuators) or on the position indication (rotary actuators) and transfers the position directly to the switching cams of the micro switches. Switching points can be freely selected with an adjustment dial. The current switch position can be read off at any time.
- Application** The auxiliary switch unit is used for signaling the position or for exercising switching functions in any given angle setting.
- Simple direct mounting** The auxiliary switches are attached directly by the spindle clamp (damper actuators) or on the position indication (rotary actuators). The guiding grooves between the housing and the switch ensure a tightly sealing fit.

## Electrical installation

### Wiring diagrams



## Operating controls and indicators

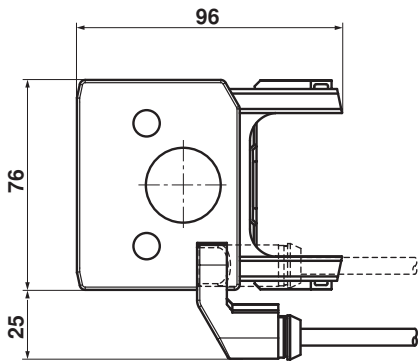


**Note:** Perform settings on the auxiliary switch only in deenergised state.

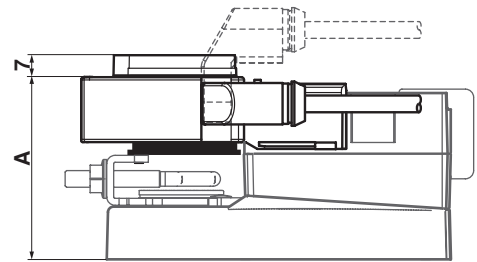
- 1 Gear disengagement**  
Holding button pressed down (or fix): Gear is disengaged (manual override possible).
- 2 Spindle clamp**  
Turn the spindle clamp of the actuator into the desired switching position of the auxiliary switch
- 3 Auxiliary switch - 1**  
Turn rotary knob until the arrow points to the vertical line.  
Turn the spindle clamp **2** and consider the arrow direction of the auxiliary switch rotary knob at the same time.  
The arrow direction always indicates the switching position (S1-S2 or S1-S3).  
If the auxiliary switch should switch in the opposite direction, rotate the auxiliary switch rotary knob by 180°. Alternatively the switching position can be checked with a continuity tester on the cable of the auxiliary switch.  
Release (or disengage) button **1**.
- 4 Auxiliary switch - 2**  
Same procedure as for auxiliary switch 1 (step **1** to **3**).

Dimensions [mm]

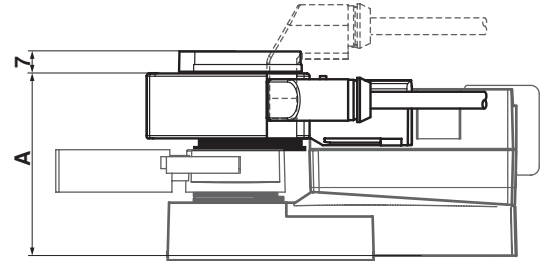
Dimensional drawings



	A	A
TM..A., LM..A..	66	LMQ..A.. 80
NM..A..	69	NMQ..A.. 83
SM..A..	71	SMQ..A.. 89
SMD..A..	71	NKQ..A.. 87
GM..A..	78	GK..A.. 94



	A	A
TR..A., LR..A..	66	LRQ..A.. 80
NR..A..	69	NRQ..A.. 83
SR..A..	71	GRK..A.. 94
GR..A..	78	



	A
DR..A..	78

