

- The device contains electrical and electronic components and must not be disposed of as household refuse. All locally valid regulations and requirements must be observed.

Product features

Mode of operation A carrier plate uses adaption to make a positive fit on the shaft clamp (damper actuators) or on the position indication (rotary actuators) and transfers the position directly to the switching cams of the micro switches.

Switching points can be freely selected with an adjustment dial. The current switch position can be read off at any time.

Application The auxiliary switch unit is used for signaling the position or for exercising switching functions in any given angle setting.

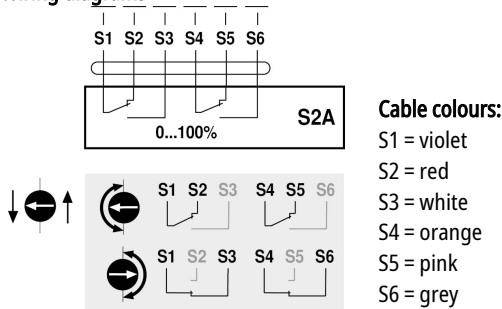
Simple direct mounting The auxiliary switches are attached directly by the shaft clamp (damper actuators) or on the position indication (rotary actuators). The guiding grooves between the housing and the switch ensure a tightly sealing fit.

Accessories

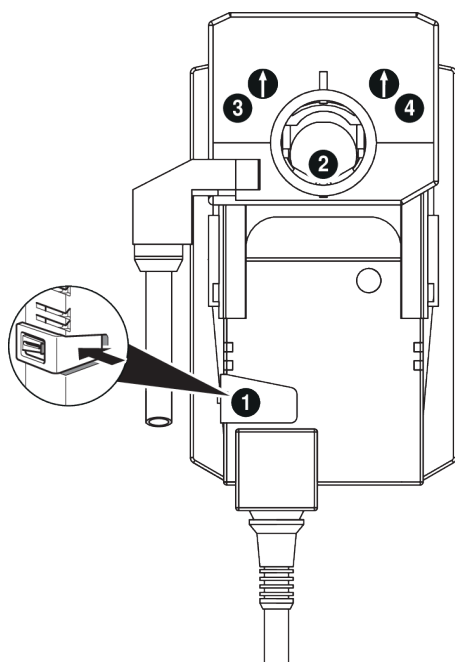
Mechanical accessories	Description	Type
	Adapter for auxiliary switch and feedback potentiometer	Z-SPA

Electrical installation

Wiring diagrams



Operating controls and indicators



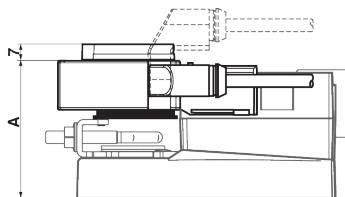
Note: Perform settings on the auxiliary switch only in deenergised state.

- 1 Gear disengagement**
Holding button pressed down (or fix): Gear is disengaged (manual override possible).
- 2 Spindle clamp**
Turn the spindle clamp of the actuator into the desired switching position of the auxiliary switch
- 3 Auxiliary switch - 1**
Turn rotary knob until the arrow points to the vertical line.
Turn the spindle clamp **2** and consider the arrow direction of the auxiliary switch rotary knob at the same time.
The arrow direction always indicates the switching position (S1-S2 or S1-S3).
If the auxiliary switch should switch in the opposite direction, rotate the auxiliary switch rotary knob by 180°. Alternatively the switching position can be checked with a continuity tester on the cable of the auxiliary switch.
Release (or disengage) button **1**.
- 4 Auxiliary switch - 2**
Same procedure as for auxiliary switch 1 (step **1** to **3**).

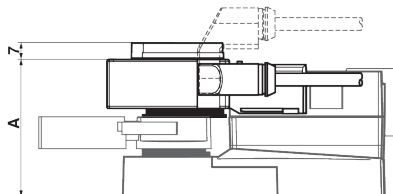
Dimensions

Dimensional drawings

	A	A
TM..A., LM..A..	66	LMQ..A.. 80
NM..A..	69	NMQ..A.. 83
SM..A..	71	SMQ..A.. 89
SMD..A..	71	NKQ..A.. 87
GM..A..	78	GK..A.. 94



	A	A
TR..A., LR..A..	66	LRQ..A.. 80
NR..A..	69	NRQ..A.. 83
SR..A..	71	GRK..A.. 94
GR..A..	78	



	A
DR..A..	78

