

- Torque motor 3500 Nm
- Nominal voltage AC 230 V
- Control modulating 2...10 V variable
- Position feedback 2...10 V variable
- with 2 integrated auxiliary switches



Technical data

Electrical data	Nominal voltage	AC 230 V
	Nominal voltage frequency	50/60 Hz
	Nominal voltage range	AC 207...253 V
	Power consumption in operation	490 W
	Power consumption in operation note	incl. heater
	Power consumption for wire sizing	506 VA
	Current consumption	2.2 A
	Auxiliary switch	2 x SPDT, 1 x 3° / 1 x 87°
	Switching capacity auxiliary switch	1 mA...5 A (3 A inductive), DC 5 V...AC 250 V
	Connection supply / control	Terminals 2.5 mm ² (Wire 2 x 1.5 mm ² or 1 x 2.5 mm ²)
	Parallel operation	Yes (note the performance data)
Functional data	Torque motor	3500 Nm
	Operating range Y	2...10 V
	Input Impedance	100 kΩ
	Operating range Y variable	Start point 0.5...30 V End point 2.5...32 V
	Position feedback U	2...10 V
	Position feedback U note	Max. 0.5 mA
	Position feedback U variable	Start point 0.5...8 V End point 2.5...10 V
	Position accuracy	±5%
	Manual override	temporary with handwheel (non-rotating)
	Angle of rotation	90°
	Angle of rotation note	Internal limit switch, not adjustable
	Running time motor	47 s / 90°
	Duty cycle value	50% (= active time 47 s / operating time 94 s)
	Sound power level, motor	70 dB(A)
	Position indication	Mechanically (integrated)
Safety data	Protection class IEC/EN	I, protective earth (PE)
	Protection class auxiliary switch IEC/EN	I, protective earth (PE)
	Degree of protection IEC/EN	IP67
	EMC	CE according to 2014/30/EU
	Low voltage directive	CE according to 2014/35/EU
	Mode of operation	Type 1
	Pollution degree	4
	Ambient humidity	Max. 95% RH, non-condensing
	Ambient temperature	-30...65°C [-22...149°F]
	Storage temperature	-30...80°C [-22...176°F]

Safety data	Servicing	maintenance-free
Mechanical data	Connection flange	F16
Weight	Weight	72 kg
Materials	Housing material	Die cast aluminium

Safety notes


- This device has been designed for use in stationary heating, ventilation and air-conditioning systems and must not be used outside the specified field of application, especially in aircraft or in any other airborne means of transport.
- Caution: Power supply voltage!
- Only authorised specialists may carry out installation. All applicable legal or institutional installation regulations must be complied during installation.
- The device does not contain any parts that can be replaced or repaired by the user.
- The device contains electrical and electronic components and must not be disposed of as household refuse. All locally valid regulations and requirements must be observed.
- Warning: Leakage current possible (<3.5 mA)! When connecting the actuator, connect the earth first and then the supply connections! Do not disconnect the earth until after both supply connections have been disconnected!
- A change of the preset angle of rotation limitation may not take place neither by means of limit switches nor by means of PC-Tool/ZTH-...

Product features

Fields of application	The actuator is particularly suitable for utilisation in outdoor applications and is protected against the following weather conditions: - UV radiation - Dirt / Dust - Rain / Snow - Air humidity
Mode of operation	The actuator is connected with a standard control signal and drives to the position defined by the control signal. The measuring voltage U serves for the electrical display of the actuator position 0...100% and as control signal for other actuators.
Internal heating	An internal heater prevents condensation buildup.
Parametrisable actuators	The factory settings cover the most common applications. Input and output signals and other parameters can be altered with the Belimo Service Tool MFT-P.
Simple direct mounting	Simple direct mounting on the butterfly valve. The mounting orientation in relation to the butterfly valve can be selected in 90° (angle) increments.
Manual override	The butterfly valve can be closed (turn clockwise) and opened (turn counterclockwise) with the handwheel. The handwheel does not move while the motor is running.
High functional reliability	Mechanical end stops limit the actuator to -2° and 92°. The internal limit switches interrupt the voltage supply to the motor. In addition, a motor thermostat provides overload protection and interrupts the voltage supply if the actuator is used outside of the specified temperatures.
Signalling	The integrated auxiliary switches are equipped with a gold/silver coating that permits integration both in circuits with low currents (mA range) and in ones with larger-sized currents (A range) in accordance with the specifications in the data sheet. It should be noted with this application however that the contacts can no longer be used in the milliampere range after larger currents have been applied to them, even if this has taken place only once.

Accessories

Tools	Description	Type
	Service Tool, with ZIP-USB function, for parametrisable and communicative Belimo actuators, VAV controller and HVAC performance devices	ZTH EU
	Belimo PC-Tool, Software for adjustments and diagnostics	MFT-P
	Connection cable 5 m, A+B: RJ12 6/6	ZK6-GEN

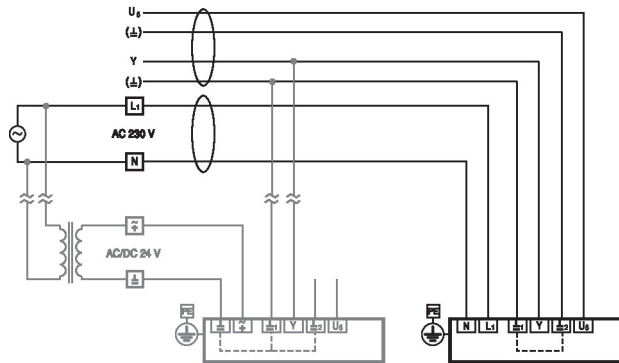
Electrical installation



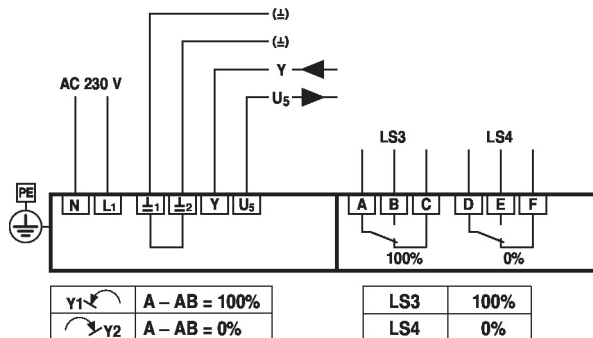
Caution: Power supply voltage!

4-lead connection

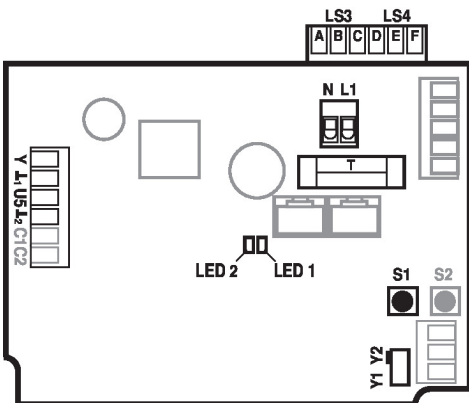
4-lead system connection



Electrical installation for 4-lead connection



Connection and function elements



Symbol	Function	Description
N / L1	Power supply voltage	
Y1	Direction of rotation switch	Actuator rotates anticlockwise (ccw), valve opens
Y2	Direction of rotation switch	Actuator rotates clockwise (cw) valve closes
Y	Control signal	
U5	Position feedback	
L1 / L2	Ground 24 V-side	
S1	Adaptation button	Adaptation procedure is started (press S1 for 3 s) Adaptation must take place after the TC1/TC2 have been adjusted
S2	Not used	
LED 1 (yellow)	On / Off	Adaptation procedure activated / Standard operation
LED 2 (green)	On / Off	In operation / No voltage supply or fault
T	Plug-in fuse	Type T10A250V
LS3	Auxiliary switch	Factory setting 87°
LS4	Auxiliary switch	Factory setting 3°
C1 / C2	Not used	

Settings



Limit switches TC1/TC2 and angle of rotation limitation are provided with sealing varnish and may not be adjusted.

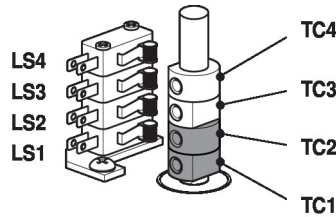
Setting cam

The setting cams for limit and auxiliary switches can be accessed by removing the housing cover.

Optionally, auxiliary switches LS4 / LS3 can be connected for signalling.

Limit switches LS2 / LS1 interrupt the voltage to the motor and are controlled by setting cams TC...

The setting cams turn with the spindle. The butterfly valve closes when the spindle is turning clockwise (cw) and opens when the spindle is turning counterclockwise (ccw).



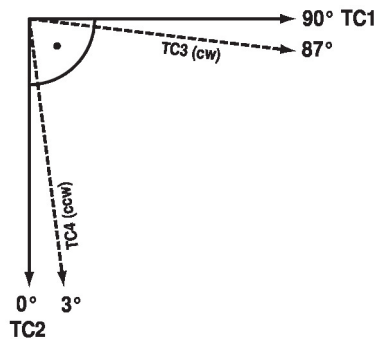
TC1/TC2 with sealing varnish: limit switches are secured against adjustment

Settings of setting cams TC..

- TC4 for auxiliary switch position closed (factory setting 3°).
- TC3 for auxiliary switch position open (factory setting 87°).
- TC2 for limit switch closed (0°).
- TC1 for limit switch open (90°).

Adjusting setting cams

- 1) Use a 2.5 mm Allen key to unscrew the corresponding setting cams TC..
- 2) Turn the setting cam using the Allen key
- 3) Set as shown in the illustration below
- 4) Use the Allen key to tighten the corresponding setting cams

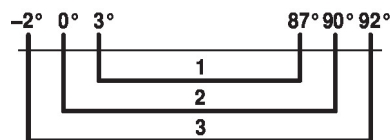


TC1: OPEN
 TC2: CLOSED
 TC3: Present position
 TC4: Desired position

Mechanical angle-of-rotation limitation

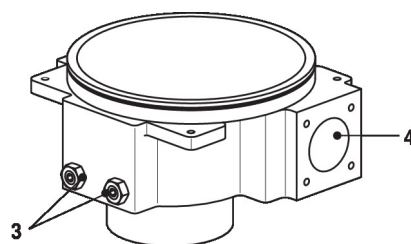
The mechanical angle of rotation (3) is set at the factory to -2° and 92° and cannot be changed. The handwheel is rotated by means of a worm gear in a planetary gear unit. The gearing is stopped mechanically by means of two setscrews (3).

Relationship between mechanical angle of rotation limitation, limit and auxiliary switches



- 1: Auxiliary switch adjustable TC3 / TC4
- 2: Limit switch fix adjusted TC1 / TC2
- 3: Mechanical angle of rotation fix adjusted

3: Angle of rotation limitation with sealing varnish: Must not be adjusted
 4: Connection handwheel



Service

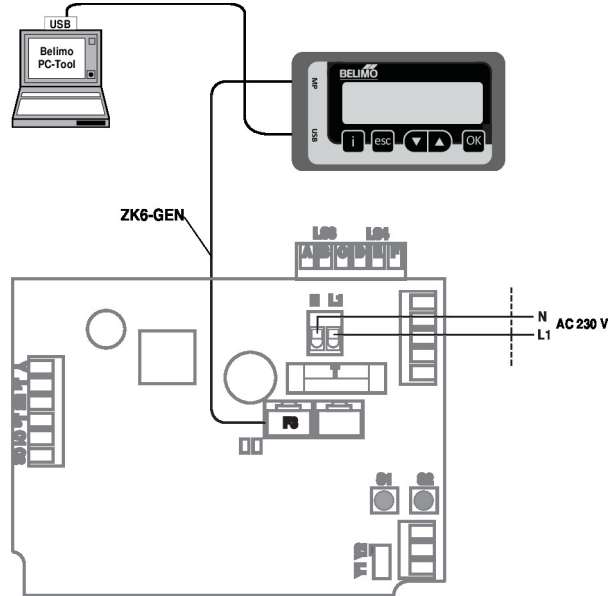
Notes

Actuators may be configured with Belimo PC-Tool MFT-P or ZTH EU service tool using the service socket of the actuator.



Tools connection

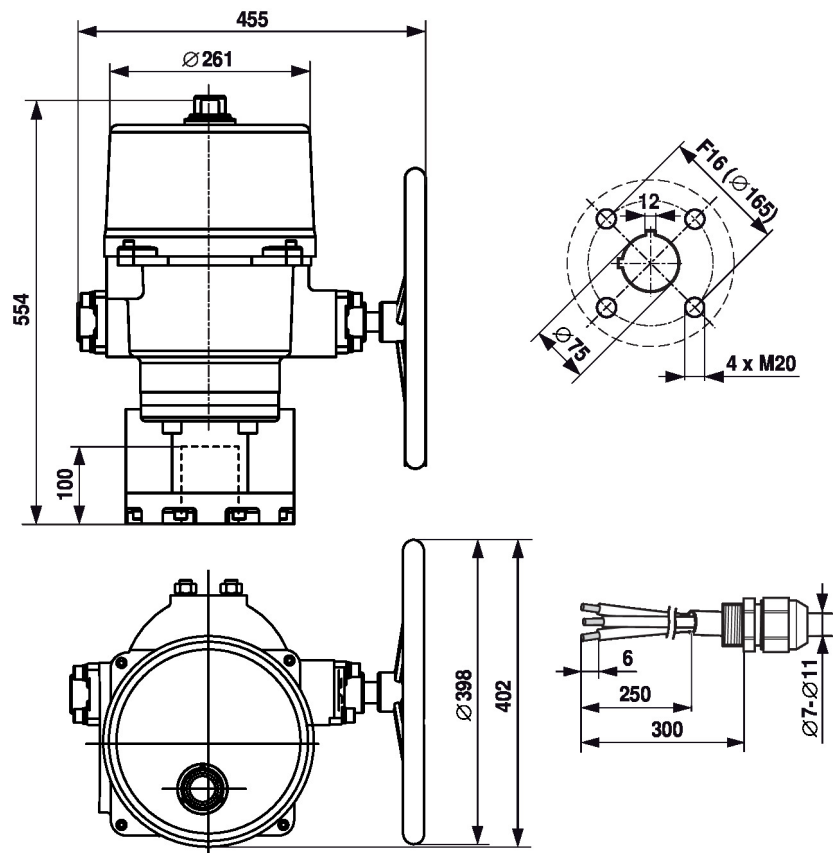
Local connection with ZTH EU via service socket of the SY actuator.



Note

The housing cover must be opened so that the connections are accessible.

Dimensions



Further documentation

- Data sheets for butterfly valves
- Installation instructions for actuators and/or butterfly valves
- Notes for project planning for butterfly valves