

Modulating damper actuator for adjusting dampers in technical building installations

- Air damper size up to approx. 0.2 m²
- Torque motor 1 Nm
- Nominal voltage AC/DC 24 V
- Control modulating 2...10 V
- Position feedback 2...10 V
- with plug



Technical data

| | | |
|------------------------|--|--|
| Electrical data | Nominal voltage | AC/DC 24 V |
| | Nominal voltage frequency | 50/60 Hz |
| | Nominal voltage range | AC 19.2...28.8 V / DC 19.2...28.8 V |
| | Power consumption in operation | 1.5 W |
| | Power consumption in rest position | 0.5 W |
| | Power consumption for wire sizing | 2.5 VA |
| | Connection supply / control | Connector plug (Cable-side connector socket not included in scope of delivery) |
| | Connection plug | Molex Mini-Fit Jr. 39303045 |
| | Parallel operation | Yes (note the performance data) |
| Functional data | Torque motor | 1 Nm |
| | Operating range Y | 2...10 V |
| | Input Impedance | 100 kΩ |
| | Position feedback U | 2...10 V |
| | Position feedback U note | Max. 1 mA |
| | Position accuracy | ±5% |
| | Direction of motion motor | counter-clockwise rotation |
| | Direction of motion note | Y = 0 V: left end stop, position 0 |
| | Manual override | No |
| | Angle of rotation | 95°, fixed setting |
| | Running time motor | 22 s / 90° |
| | Sound power level, motor | 35 dB(A) |
| | Mechanical interface | Universal shaft clamp 6...12.7 mm |
| Position indication | No | |
| Safety data | Protection class IEC/EN | III Safety Extra-Low Voltage (SELV) |
| | Degree of protection IEC/EN | IP20 |
| | EMC | CE according to 2014/30/EU |
| | Certification IEC/EN | IEC/EN 60730-1 and IEC/EN 60730-2-14 |
| | Mode of operation | Type 1 |
| | Rated impulse voltage supply / control | 0.8 kV |
| | Control pollution degree | 2 |
| | Ambient temperature | -30...50°C |
| | Storage temperature | -40...80°C |
| | Ambient humidity | Max. 95% r.H., non-condensing |
| | Servicing | maintenance-free |
| Weight | Weight | 0.12 kg |
| | Packaging quantity | Multipack 100 pcs. |

Safety notes



- The device must not be used outside the specified field of application, especially not in aircraft or in any other airborne means of transport.
- The device is intended for factory installation in an equipment. The required protection against accidental contact with live parts must be provided by the damper or system manufacturer.
- Only authorised specialists may carry out installation. All applicable legal or institutional installation regulations must be complied during installation.
- The device may only be opened at the manufacturer's site. It does not contain any parts that can be replaced or repaired by the user.
- Connectors are equipment that may only be used for the intended purpose. The Molex connector has a locking mechanism and prevents unintentional disconnection. Operation under voltage is not permitted.
- To calculate the torque required, the specifications supplied by the damper manufacturers concerning the cross-section, the design, the installation site and the ventilation conditions must be observed.
- The device contains electrical and electronic components and must not be disposed of as household refuse. All locally valid regulations and requirements must be observed.

Product features

| | |
|-------------------------------------|--|
| Mode of operation | The actuator is connected with a standard modulating signal of 0...10 V and drives to the position defined by the positioning signal. Measuring voltage U serves for the electrical display of the damper position 0.5...100% and as slave control signal for other actuators. |
| Simple direct mounting | The actuator is mounted directly on the damper shaft (\varnothing 6...12.7 mm) with a universal shaft clamp and then secured with the anti-rotation clip, to prevent it from rotating. The anti-rotation clip Z-ARCM is not included in the scope of delivery. |
| Adjustable angle of rotation | Adjustable angle of rotation with mechanical end stops. |
| High functional reliability | The actuator is overload protected, requires no limit switches and automatically stops when the end stop is reached. |
| Hidden synchronisation | If the actuator drives to the lower end stop during ongoing operation, then it performs a synchronisation of the positioning signal at DC 2 V. This ensures that the signal range also corresponds to the effective functional range in ongoing operation. The bottom end stop is actively approached as soon as the positioning signal is DC 2.3 V. |

Accessories

| Mechanical accessories | Description | Type |
|------------------------|--|--------|
| | Anti-rotation clip, Multipack 20 pcs. | Z-ARCM |
| | End stop clip, Multipack 20 pcs. | Z-ESCM |
| | Protective covering, Multipack 20 pcs. | Z-PCUM |

Electrical installation



Supply from isolating transformer.

Parallel connection of other actuators possible. Observe the performance data.

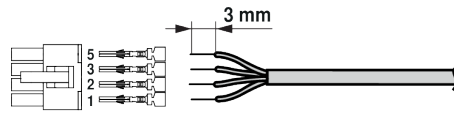
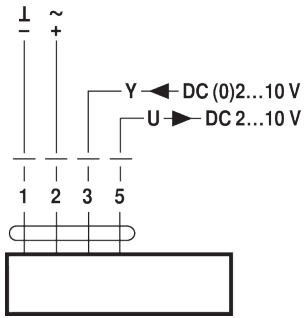
Cable-side connector socket is not included in scope of delivery

Connectors are equipment that may only be used for the intended purpose. The Molex connector has a locking mechanism and prevents unintentional disconnection. Operation under voltage is not permitted.

Wiring diagrams

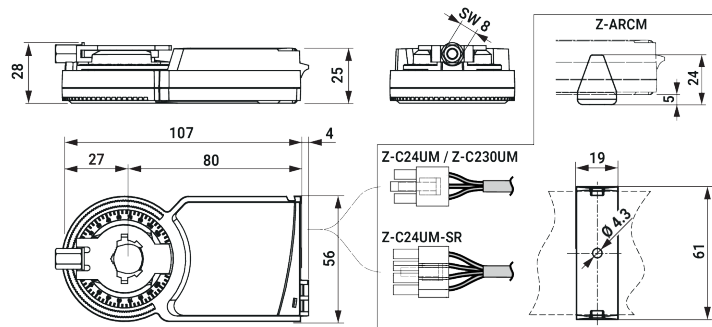
AC/DC 24 V, modulating

Molex PN 39014040 / 39000039






Dimensions

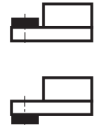
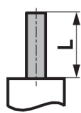
Dimensional drawings



Clamping range

| | | |
|---|---|---|
|  |  |  |
| 6...12.7 | 6 / 8 / 10 | 6...12.7 |

Shaft length



Min. 32