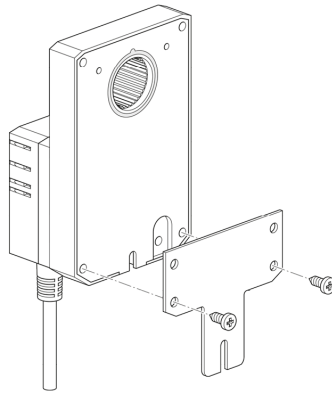


Base plate extension

- Base plate extension
- from SM..A to SM.. / AM..
- incl. 2 screws
- Galvanised steel

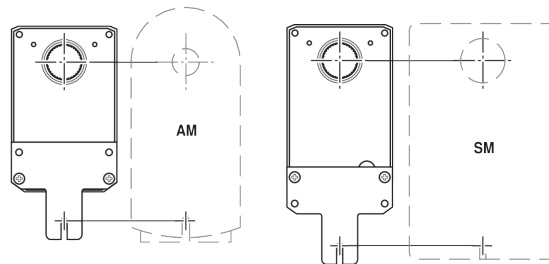
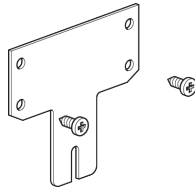
**Technical data**

Weight	Weight	0.075 kg
---------------	---------------	----------

Product features

Used materials Galvanised steel

Application Suitable for SM..A, SMC..A, SMD..A



Dimensions

Dimensional drawings

