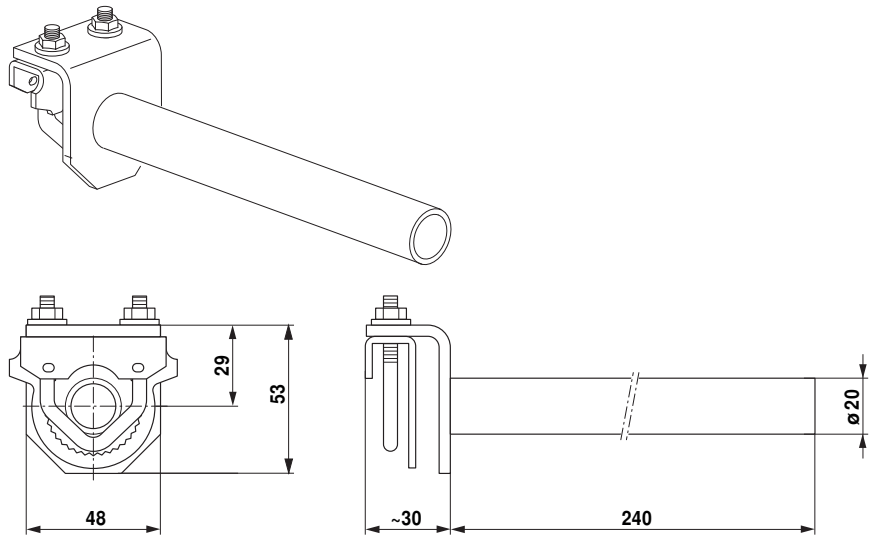


Shaft extension AV8-25

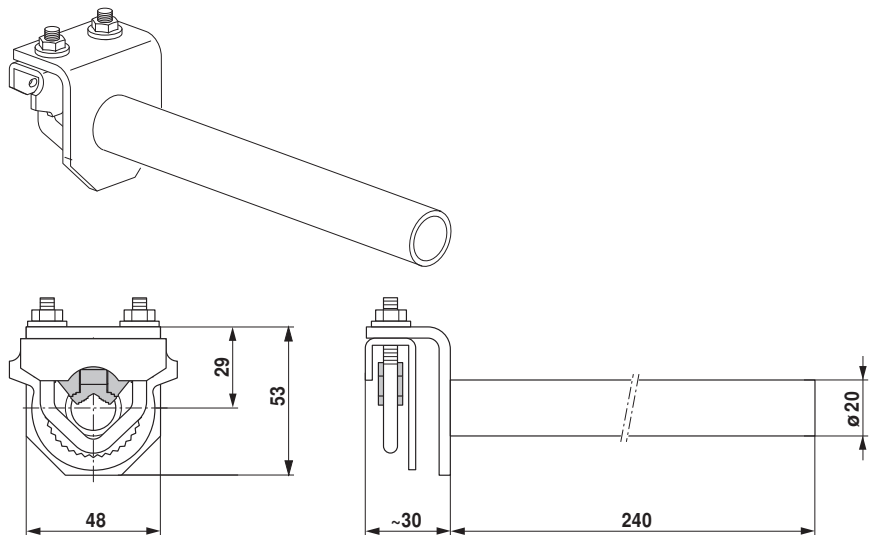
- Length approx. 250 mm
- For damper spindles Ø 10...25 mm
- Ø Extension 20 mm



For utilisation with stainless CrNi (INOX) rotary spindles, the use of the accessory AV12-25-I is recommended: Ø 12 ... 25 mm

Shaft extension AV12-25-I

- Length approx. 250 mm
- For damper spindles CrNi (INOX)
Ø 12 ... 25 mm
- Ø Extension 20 mm

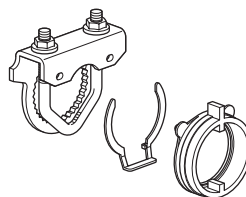


One-sided spindle clamp K-ENSA

- For damper spindles Ø 10...26 mm

Packing unit with 20 pieces

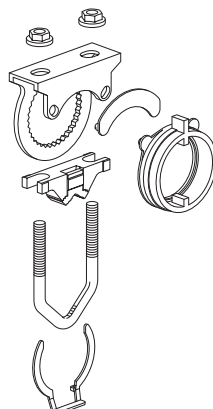
For utilisation with stainless CrNi (INOX) rotary spindles, the use of the accessory K-ENSA-I is recommended: Ø 12 ... 26 mm



One-sided spindle clamp K-ENSA-I

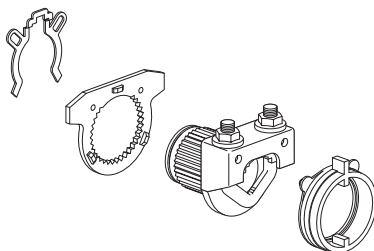
- For damper spindles CrNi (INOX)
Ø 12 ... 26 mm

Packing unit with 20 pieces



Reversible clamp K-SA

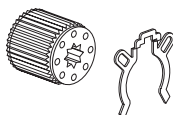
- For damper spindles \varnothing 10...20 mm
- For damper spindles CrNi (INOX) \varnothing 12 ... 20 mm



Packing unit with 20 pieces

Form-fit inserts ZF..-NSA

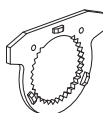
Article number	Axis sizes
• ZF10-NSA	10 x 10 mm
• ZF12-NSA	12 x 12 mm
• ZF15-NSA	15 x 15 mm
• ZF16-NSA	16 x 16 mm



Packaging units with 20 pieces each

Angle of rotation limiter

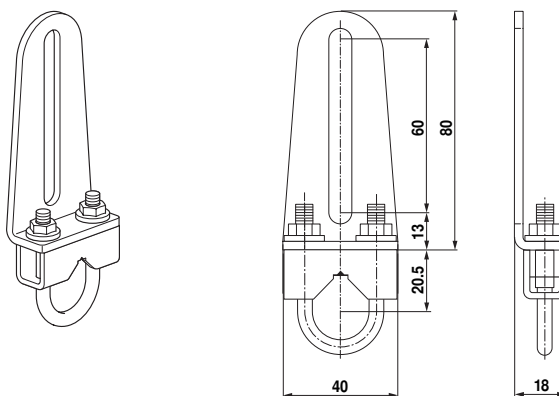
- For form-fit insert
- For reversible clamp K-SA



Article number 20334-00001

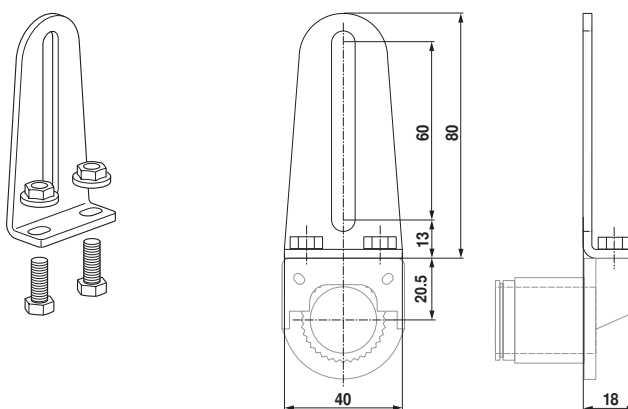
Damper crank arm KH8

- For damper spindles
- Galvanised steel
- Clamping range \varnothing 10 ... 18 mm
- Slot width 8.2 mm



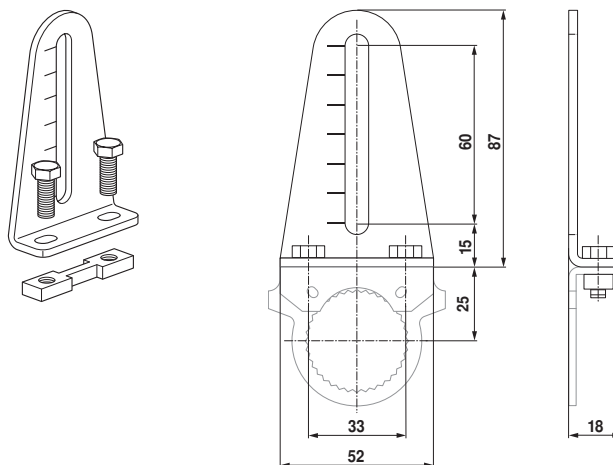
Actuator arm AH-20

- For K-SA standard spindle clamp (reversible)
- Slot width 8.2 mm
- Galvanised steel



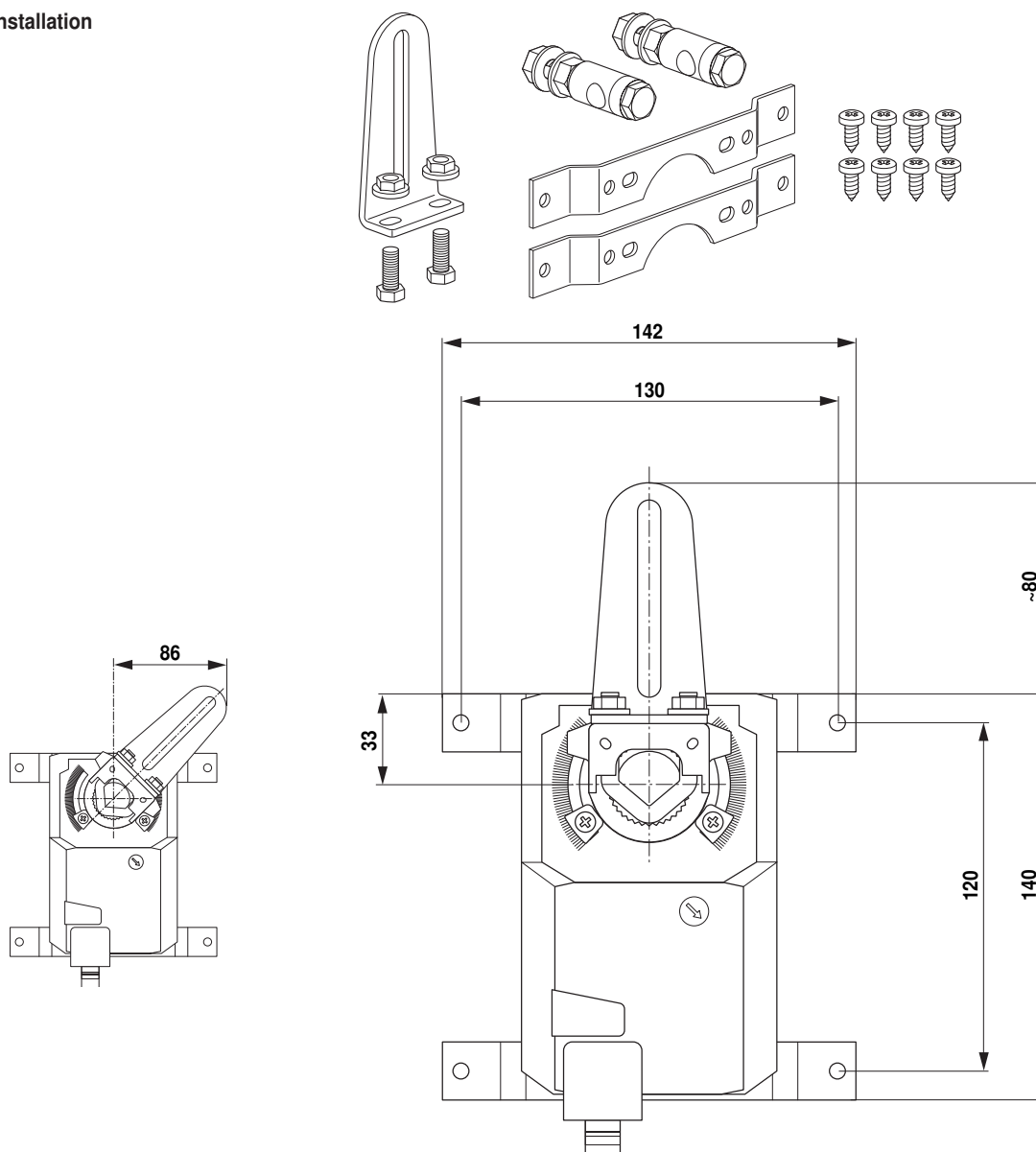
Actuator crank arm AH-25

- For one-sided spindle clamp K-ENSA
- Slot width 8.2 mm
- Galvanised steel

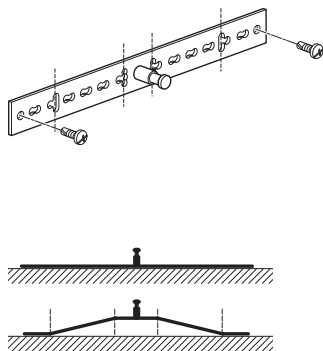


Mounting kit for linkage operation ZG-SMA

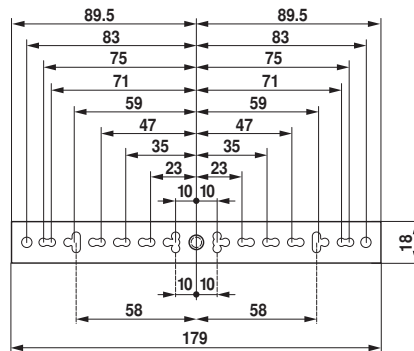
- For flat installation



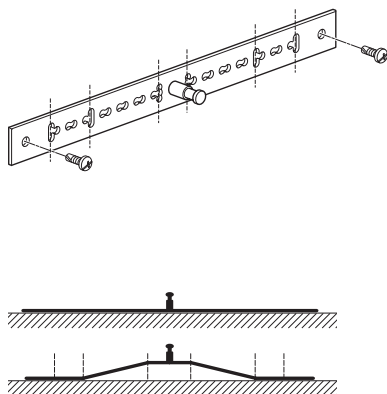
Universal mounting bracket Z-ARS180



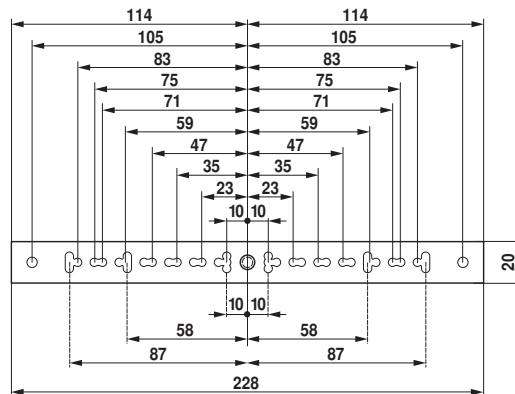
Packing unit with 20 pieces each



Universal mounting bracket Z-ARS230

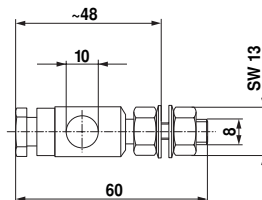
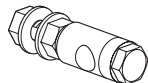


Packing unit with 20 pieces each



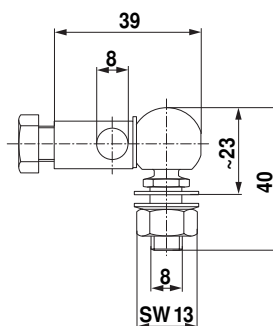
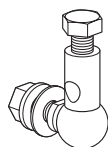
Ball joint KG10A

- Suitable for damper crank arms KH8
- For round steel rod with Ø 10 mm
- Galvanised steel



Ball joint KG8

- Suitable for damper crank arms KH8
- For round steel rod with Ø 8 mm
- Galvanised steel



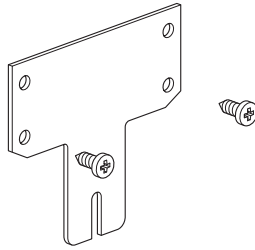
Position indication Z-PI



Packing unit with 20 pieces

Extension for ground plate Z-SMA

- Extension from SMD..A to SM../AM../SMD24R
- Galvanised steel



Packing unit with 20 pieces each

