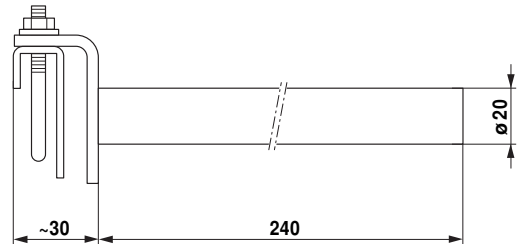
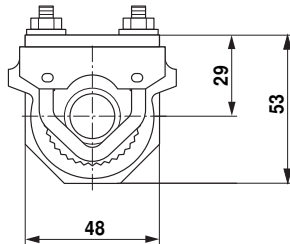
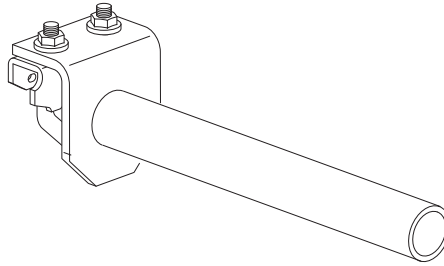


Shaft extension AV8-25

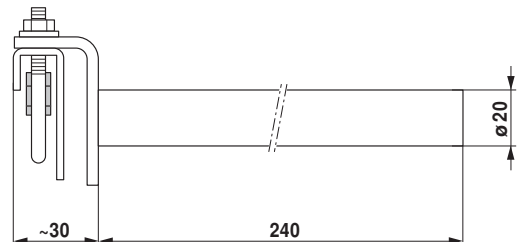
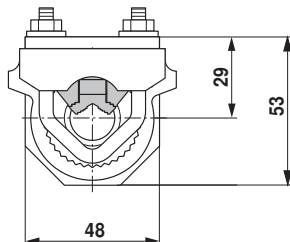
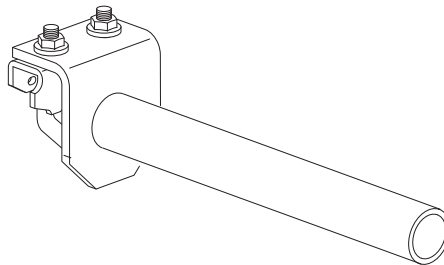
- Length approx. 250 mm
- For damper spindles \varnothing 10 ... 25 mm
- \varnothing Extension 20 mm



For utilisation with stainless CrNi (INOX) rotary axes, the use of the accessory AV12-25-I is recommended: \varnothing 12 ... 25 mm

Shaft extension AV12-25-I

- Length approx. 250 mm
- For damper spindles CrNi (INOX)
 \varnothing 12 ... 25 mm
- \varnothing Extension 20 mm

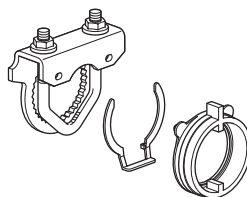


Single side spindle clamp K-ENSA

- For damper spindle \varnothing 10 ... 26 mm

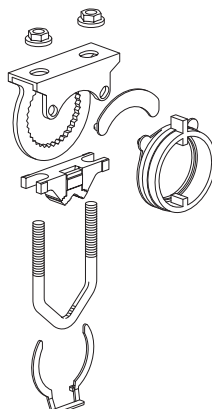
Packaging unit: 20 pieces

For utilisation with stainless CrNi (INOX) rotary axes, the use of the accessory K-ENSA-I is recommended: \varnothing 12 ... 26 mm



Single side spindle clamp K-ENSA-I

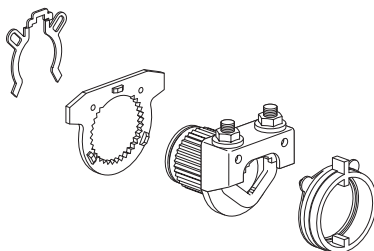
- For damper spindle CrNi (INOX)
 \varnothing 12 ... 26 mm



Packaging unit: 20 pieces

Reversible spindle clamp K-SA

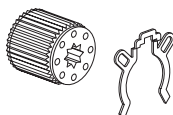
- For damper spindles \varnothing 10 ... 20 mm
- For damper spindles CrNi (INOX)
 \varnothing 12 ... 20 mm



Packaging unit: 20 pieces

Form-fit adapters ZF..-NSA

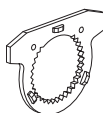
Article number	Shaft dimensions
• ZF10-NSA	10 x 10 mm
• ZF12-NSA	12 x 12 mm
• ZF16-NSA	16 x 16 mm



Packaging unit: 20 pieces

Angel of rotation limiter

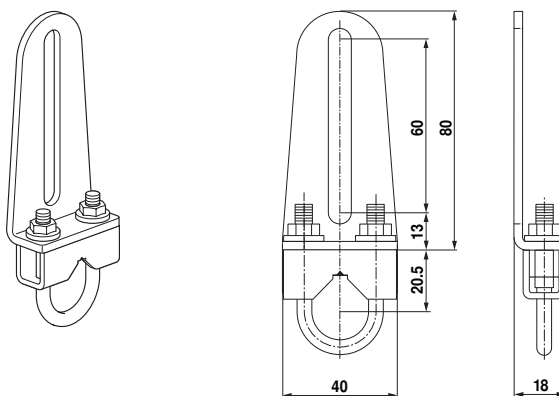
- For form-fit adapter
- For reversible spindle clamp K-NA



Article number 20334-00001

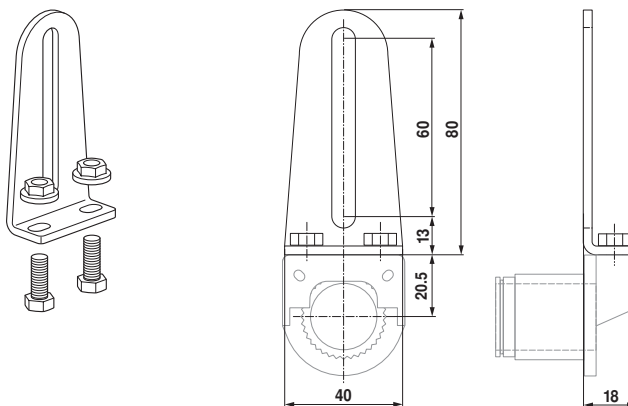
Damper crank arm KH8

- For damper spindles
- Galvanized steel
- Clamping range \varnothing 10 ... 18 mm
- Slot width 8.2 mm



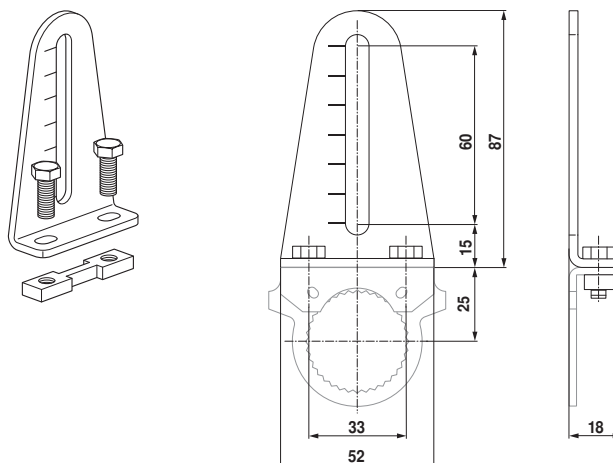
Actuator crank arm AH-20

- For standard spindle clamp (reversible)
K-SA
- Slot width 8.2 mm
- Galvanized steel



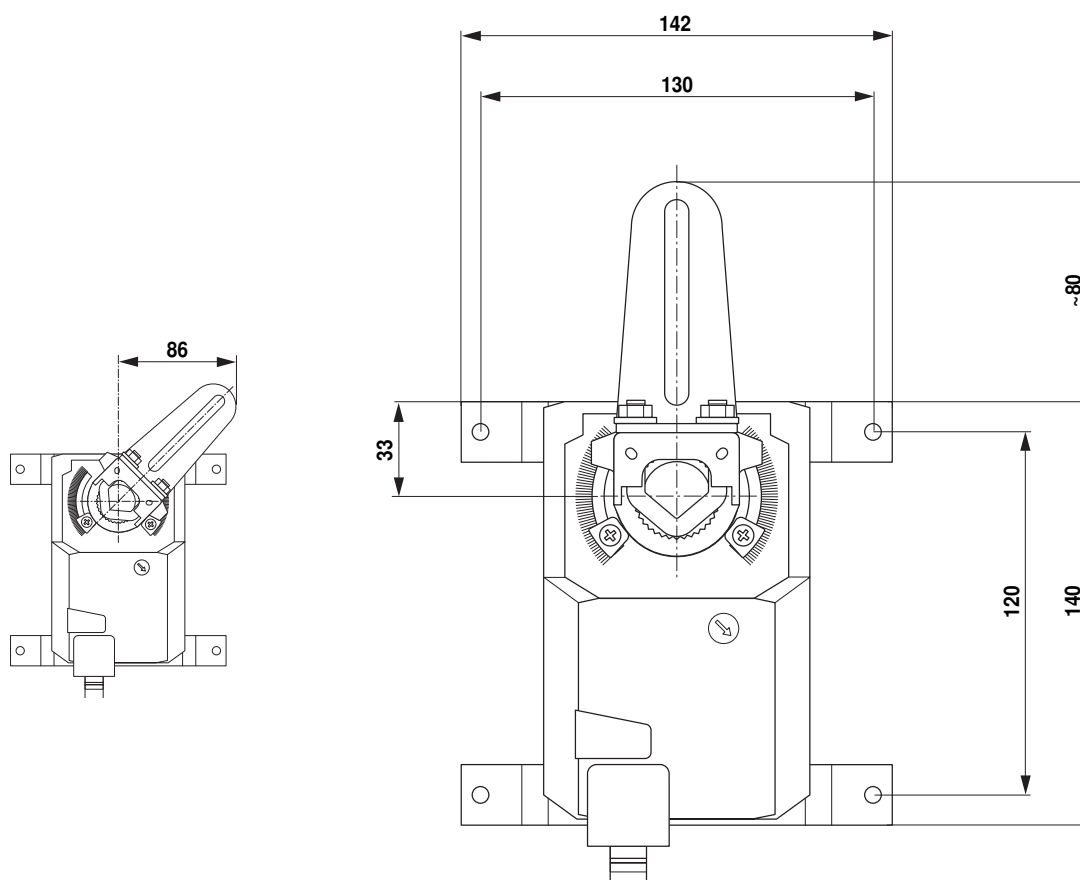
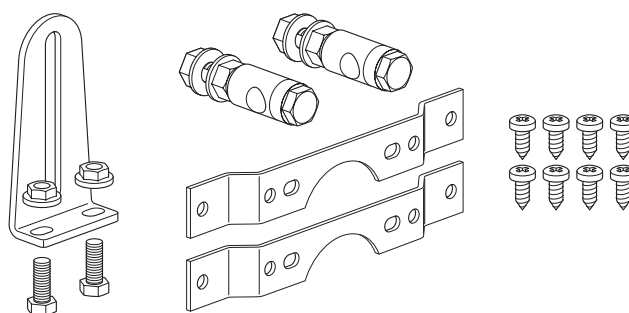
Actuator crank arm AH-25

- For single side spindle clamp K-ENSA
- Slot width 8.2 mm
- Galvanized steel

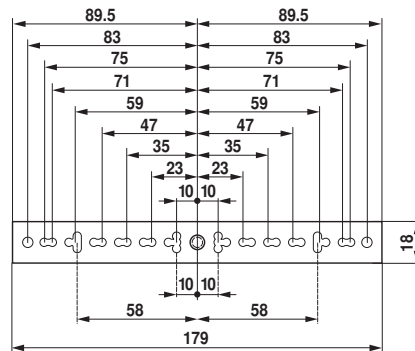
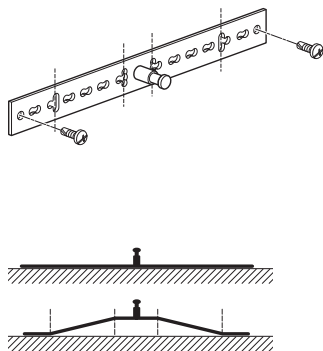


Mounting kit for damper linkage ZG-SMA

- For flat mounting

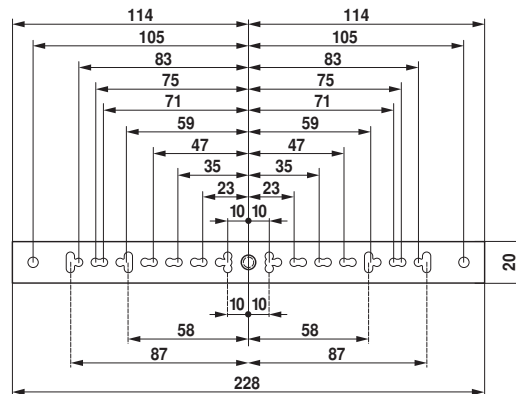
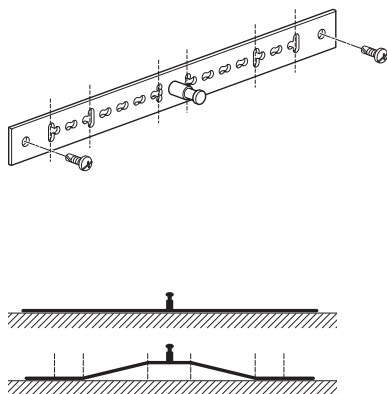


Anti-rotation strap Z-ARS180



Packaging unit: 20 pieces

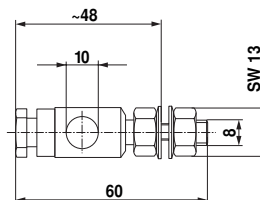
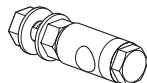
Anti-rotation strap Z-ARS230



Packaging unit: 20 pieces

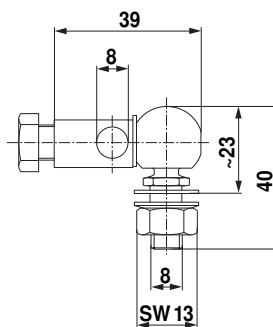
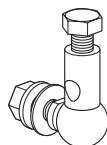
Ball joint KG10A

- Suitable for KH8 damper crank arms
- For round steel rod with \varnothing 10 mm
- Galvanized steel

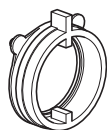


Ball joint KG8

- Suitable for KH8 damper crank arms
- For round steel rod with \varnothing 8 mm
- Galvanized steel



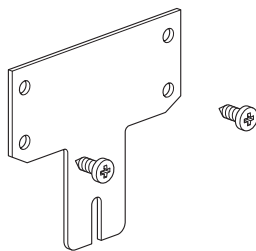
Position indication Z-PI



Packaging unit: 20 pieces

Extension for ground plate Z-SMA

- Extension from SM.. or AM.. to SMD230A
- Galvanized steel



Packaging unit: 20 pieces

