

T-piece for 3-way butterfly valve


Type overview

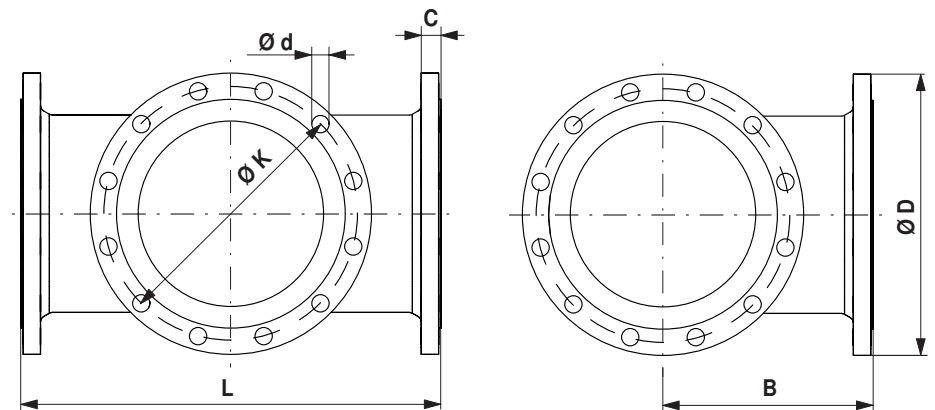
Type	DN []
ZD7150	150
ZD7200	200
ZD7250	250
ZD7300	300

Technical data

Functional data	Media	Cold and warm water, water with glycol up to max. 50% vol.
	Pipe connector	Flange PN 16 according to ISO 7005-2
Materials	Housing	EN-GJS400-15 (GGG 40), matt black finish

General notes

Delivery notes Mounting screws and washers for mounting the butterfly valves to the T-piece are included in the scope of delivery for ZD7..

Dimensions / Weight
Dimensional drawings


Type	DN []	L [mm]	B [mm]	C [mm]	D [mm]	d [mm]	K [mm]	Weight [kg]
ZD7150	150	440	220	26	285	8 x 23	240	37
ZD7200	200	520	260	30	340	12 x 23	295	57
ZD7250	250	600	300	32	400	12 x 28	355	81
ZD7300	300	680	340	32	455	12 x 28	410	106