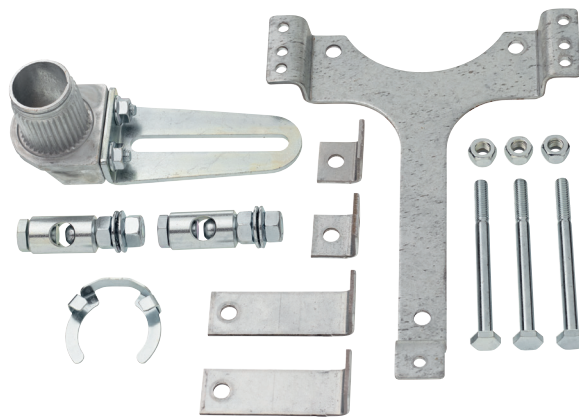


Mounting kit for linkage operation

NF..A, SF..A

- for flat and side installation
- 1 fastening element
- 4 fastening brackets
- 2 ball joint KG10A
- 1 crank arm
- 1 circlip
- 3 screws and 3 nuts

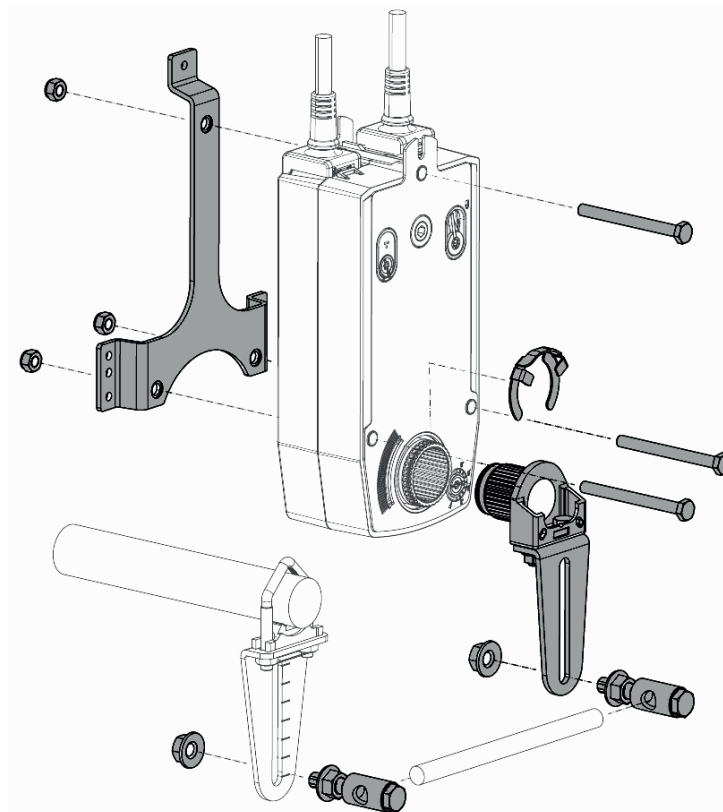


Technical data

| | | |
|---------------|---------------|---------|
| Weight | <u>Weight</u> | 0.61 kg |
|---------------|---------------|---------|

Product features

| | |
|-----------------------|-----------------------------------|
| Used materials | Galvanised steel Zinc die-cast |
| Application | Suitable for NF..A, SF..A |



Product features

Application

