

**Mounting kit for linkage operation
EF..A**

- for flat and side installation
- 2 fastening elements
- 2 ball joint KG10A
- 1 crank arm
- 1 shaft
- 8 screws and 4 nuts

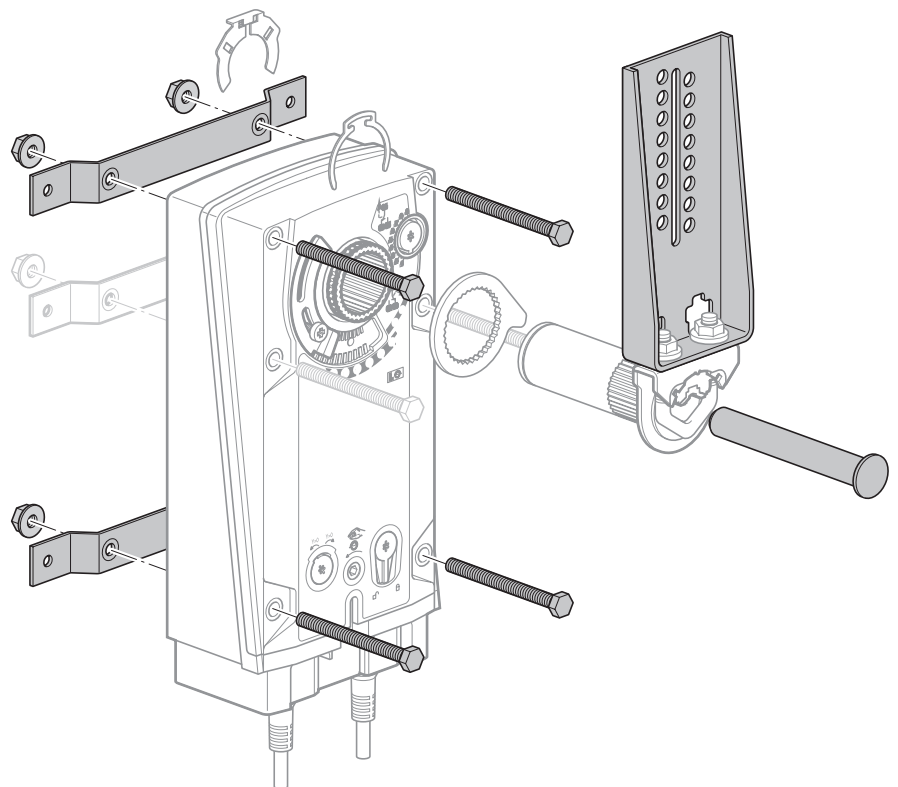


Technical data

Weight	Weight	0.96 kg
---------------	--------	---------

Product features

Used materials	Galvanised steel
Application	Suitable for EF..A



Product features

Application

