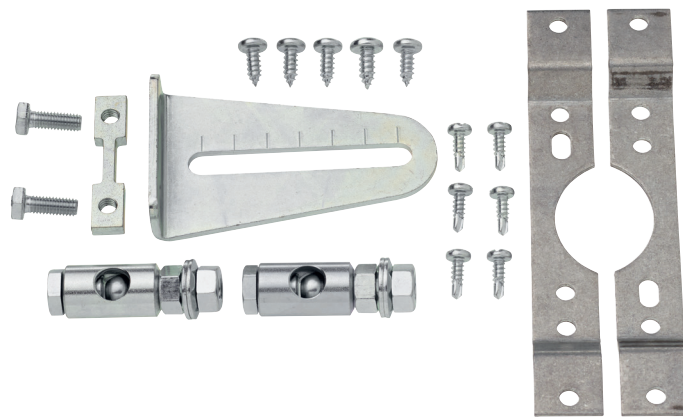


Mounting kit for linkage operation
NM..A

- for flat installation
- 2 fastening elements
- 2 ball joint KG10A
- 1 crank arm
- 1 thread plate
- 13 screws

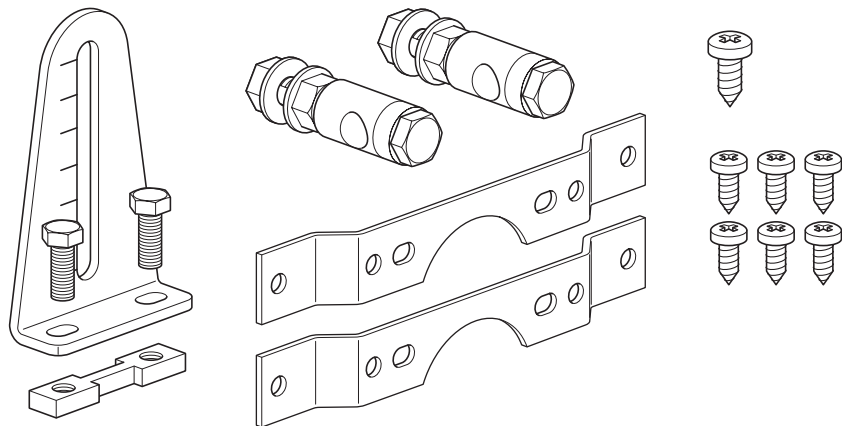


Technical data

Weight	Weight	0.329 kg
	Packaging size	Single-pack

Product features

- Used materials** Galvanised steel
- Application** Suitable for LMQ..A, NM..A, NMC..A, NMQ..A



Dimensions [mm]

Dimensional drawings

