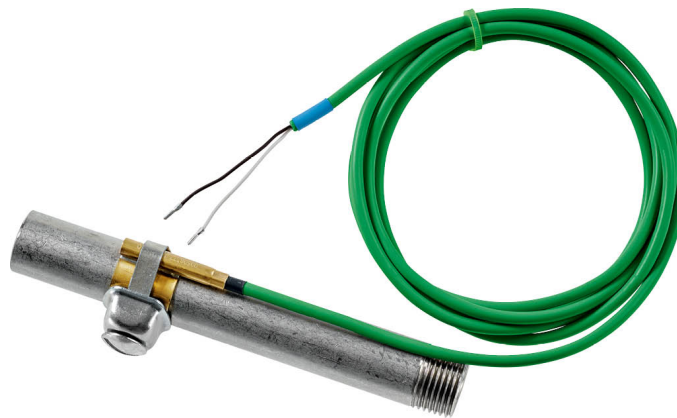


Contact Temperature Sensor

For temperature measurement on pipe and arched surfaces. Plenum rated cable and a brass probe for fast response and accuracy. NEMA 4X / IP65 rated enclosure.


Type Overview

Type	Output signal passive temperature
01ST-5A3	Pt100
01ST-5B3	Pt1000
01ST-5E3	Ni1000 (JCI)
01ST-5L3	NTC10k2
01ST-5M3	NTC10k3
01ST-5Q3	NTC20k

Technical Data

Electrical Data	Electrical connection	cable 6.5 ft. [2 m], 2-wire
Functional Data	Output signal passive temperature	Pt100 Pt1000 Ni1000 (JCI) NTC10k2 NTC10k3 NTC20k
Measuring Data	Application	water
	Measuring values	temperature
	Measuring range temperature	-30...210°F [-35...100°C]
	Accuracy temperature passive	passive sensors depending on used type Pt.. = ±0.5°F @ 32°F [±0.3°C @ 0°C] Ni.. = ±0.7°F @ 32°F [±0.4°C @ 0°C] NTC.. = ±0.35°F @ 77°F [±0.2°C @ 25°C]
Safety Data	Ambient humidity	max. 95% r.H., non-condensing
	Ambient temperature	-30...210°F [-35...100°C]
	Fluid temperature	-30...210°F [-35...100°C]
	Protection class IEC/EN	III safety extra-low voltage (selv)
	Protection class UL	UL Class 2 Supply
	EU Conformity	CE Marking
	Certification IEC/EN	IEC/EN 60730-1
	Certification UL	cULus acc. to UL60730-1A/-2-9, CAN/CSA E60730-1:02/-2-9
	Degree of protection IEC/EN	IP65
	Degree of protection NEMA/UL	NEMA 4
	Quality Standard	ISO 9001

Safety Notes


This device has been designed for use in stationary heating, ventilation and air-conditioning systems and must not be used outside the specified field of application. Unauthorised modifications are prohibited. The product must not be used in relation with any equipment that in case of a failure may threaten humans, animals or assets.

Ensure all power is disconnected before installing. Do not connect to live/operating equipment.

Only authorised specialists may carry out installation. All applicable legal or institutional installation regulations must be complied during installation.

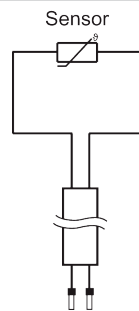
The device contains electrical and electronic components and must not be disposed of as household refuse. All locally valid regulations and requirements must be observed.

Scope of delivery

Scope of delivery	Description	Type
	Fixing strap, for pipes up to Ø 1.6...4.3" [40...110 mm]	A-22P-A47

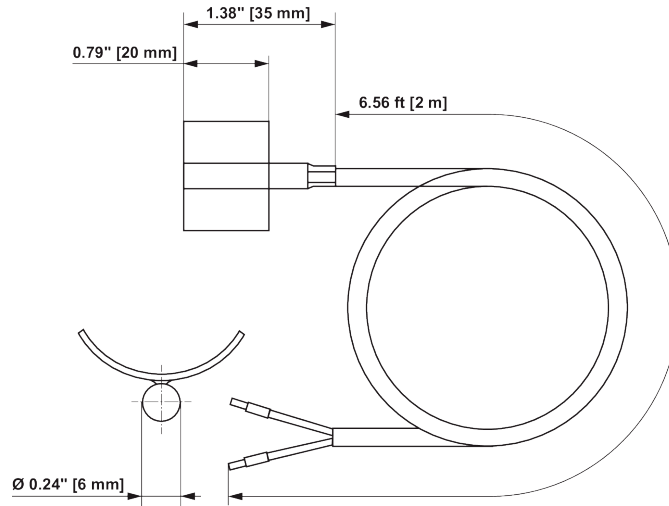
Accessories

Optional accessories	Description	Type
	Fixing strap, for pipes up to Ø 1.6...9.8" [40...250 mm]	A-22P-A49
	Syringe with thermal paste	A-22P-A44

Wiring Diagram


Dimensions

Dimensions



Type	Weight
01ST-5A3	0.13 lb [0.06 kg]
01ST-5B3	0.13 lb [0.06 kg]
01ST-5E3	0.13 lb [0.06 kg]
01ST-5L3	0.13 lb [0.06 kg]
01ST-5M3	0.13 lb [0.06 kg]
01ST-5Q3	0.13 lb [0.06 kg]