



Application

The ZG-102 multiple actuator mounting bracket is designed for cases where it is necessary to mount two actuators to one shaft to provide extra torque.

The dual mounting bracket is typically used with the GK, AF and GM series actuators. This is due to the fact that each of these series are the highest torque range available.

Figures A and B demonstrates two different mounting configurations using the ZG-102 mounting bracket.

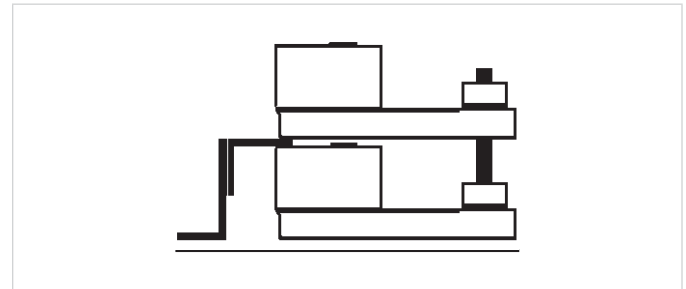


FIGURE A

The major advantage with this method is it requires less mounting area. The manual override, if available, cannot be used in this configuration.

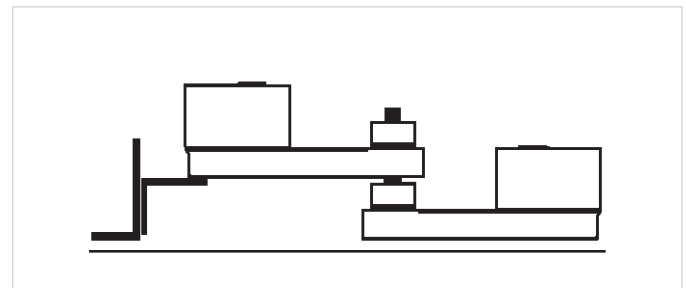
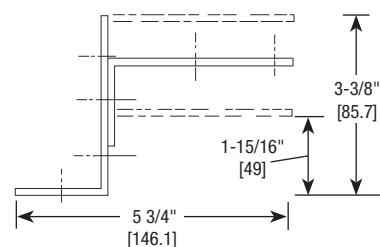
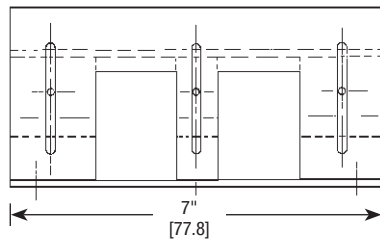
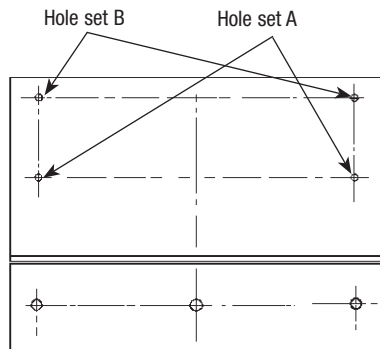


FIGURE B

The major advantages are that a shorter shaft is required and a lower profile is achieved.

Dimensions (Inches [mm])



| | |
|----------|------------------|
| Material | 12 GA Galvanized |
| Weight | 1.8 lbs. |

OTHER CRANK ARM ADAPTOR KITS AND UNIVERSAL MOUNTING BRACKETS

| KIT | MOUNTING BRACKET* | SUITABLE ACTUATOR |
|-----------|--------------------------------|-------------------|
| ZG-EFB | ZG-100, ZG-101 | EF |
| ZG-AFB | ZG-100, ZG-101 | AF, NF |
| ZG-AFB118 | ZG-118 (included) | AF, NF |
| ZG-LF112 | ZG-112 (Included) | LF |
| ZG-LF2 | N/A | LF |
| ZG-LFC114 | N/A | LF |
| ZG-ECON1 | ZG-112 (Included) | LF |
| ZG-ECON2 | ZG-112 (Included) | LF |
| ZG-TF112 | ZG-113 (Included) | TF |
| ZG-TF2 | N/A | TF |
| ZG-GMA | ZG-100, ZG-101, ZG-103, ZG-104 | GK, GM |
| ZG-NMA | ZG-100, ZG-101, ZG-103, ZG-104 | NM, AM |

*Unless otherwise noted, mounting brackets are not included in crank arm adaptor kits.