

Contact temperature sensor

Surface contact temperature sensor for pipe applications. Spring loaded brass contact pin to ensure fast response and accurate reading.



5-year warranty


Type Overview

Type	Output signal passive temperature
01HT-5A	Pt100
01HT-5B	Pt1000
01HT-5E	Ni1000 (JCI)
01HT-5L	NTC10k (10k2)
01HT-5M	NTC10k3 (Precon)
01HT-5Q	NTC20k

Technical data

Electrical Data	Electrical connection	Pluggable spring loaded terminal block max. 2.5 mm ²	
	Cable entry	Cable gland with strain relief Ø6...8 mm (1/2" NPT conduit adapter included)	
Functional Data	Application	water	
	Output signal passive temperature	Pt100 Pt1000 Ni1000 (JCI) NTC10k (10k2) NTC10k3 (Precon) NTC20k	
	Measured values	Temperature	
	Measuring range temperature	-30...195°F [-35...90°C]	
	Accuracy temperature passive	Passive sensors depending on used type Pt.. : ±0.5°F @ 32°F [±0.3°C @ 0°C] Ni.. : ±0.7°F @ 32°F [±0.4°C @ 0°C] NTC.. : ±0.35°F @ 77°F [±0.2°C @ 25°C]	
Measuring Data	Measuring current	Pt100: <1 mA @ 32°F [0°C] Pt1000: <0.3 mA @ 32°F [0°C] Ni1000 (JCI): <5 mA @ 21°C [70°F] NTC10k2: <2 mA @ 77°F [25°C] NTC10k3: <2.7 mA @ 77°F [25°C] NTC20k: <0.5 mA @ 77°F [25°C]	
	Time constant τ (63%) on water pipe	With thermal contact fluid Typical 16 s	
	Materials	Cable gland	PA6, black
		Housing	Cover: PC, orange Bottom: PC, orange Seal: NBR70, black UV resistant

Safety Data	Ambient humidity	Max. 95% RH, non-condensing
	Ambient temperature	-30...120°F [-35...50°C]
	Fluid temperature	-30...195°F [-35...90°C]
	Housing surface temperature	max. 195°F [90°C]
	Protection class IEC/EN	III, Protective Extra-Low Voltage (PELV)
	Power source UL	Class 2 Supply
	EU Conformity	CE Marking
	Certification IEC/EN	IEC/EN 60730-1
	Certification UL	cULus acc. to UL60730-1A/-2-9, CAN/CSA E60730-1/-2-9
	Degree of protection IEC/EN	IP54
	Degree of protection NEMA/UL	NEMA 1
	Enclosure	UL Enclosure Type 1
	Quality Standard	ISO 9001
	Mode of operation	Type 1
	Pollution degree	2
	Rated impulse voltage supply	0.8 kV
	Construction	Independently mounted control
	Method of mounting control	Surface mounted

Safety Notes


This device has been designed for use in stationary heating, ventilation and air-conditioning systems and must not be used outside the specified field of application. Unauthorized modifications are prohibited. The product must not be used in relation with any equipment that in case of a failure may threaten humans, animals or assets.

Ensure all power is disconnected before installing. Do not connect to live/operating equipment.

Only authorized specialists may carry out installation. All applicable legal or institutional installation regulations must be complied during installation.

The device contains electrical and electronic components and must not be disposed of as household refuse. All locally valid regulations and requirements must be observed.

Remarks

General Remarks Concerning Sensors Due to self-heating with 2 wire passive sensors, the supply wire current affects the measurement accuracy. So the supply current should not be higher than the measuring current values specified in this data sheet.

When using lengthy connecting cables (depending on the cross section used), the cable resistance must be taken into account. The lower the impedance of the sensor used, the greater the effect of the line resistance on the measurement, because it generates an offset.

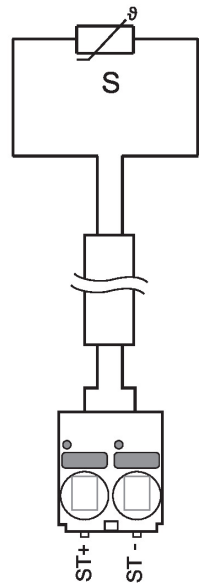
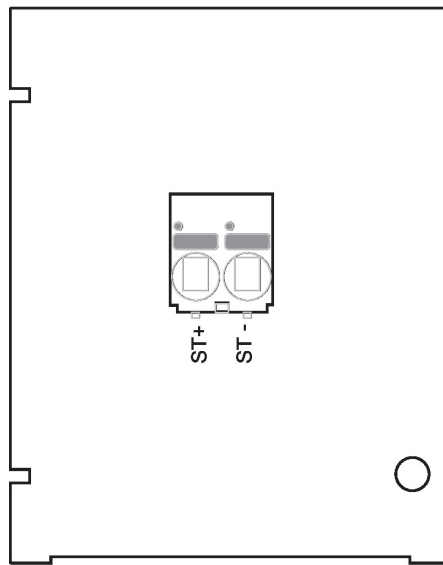
Scope of delivery

Fixing strap for pipes up to Ø4.33 in [Ø110 mm]
1/2" NPT conduit adapter

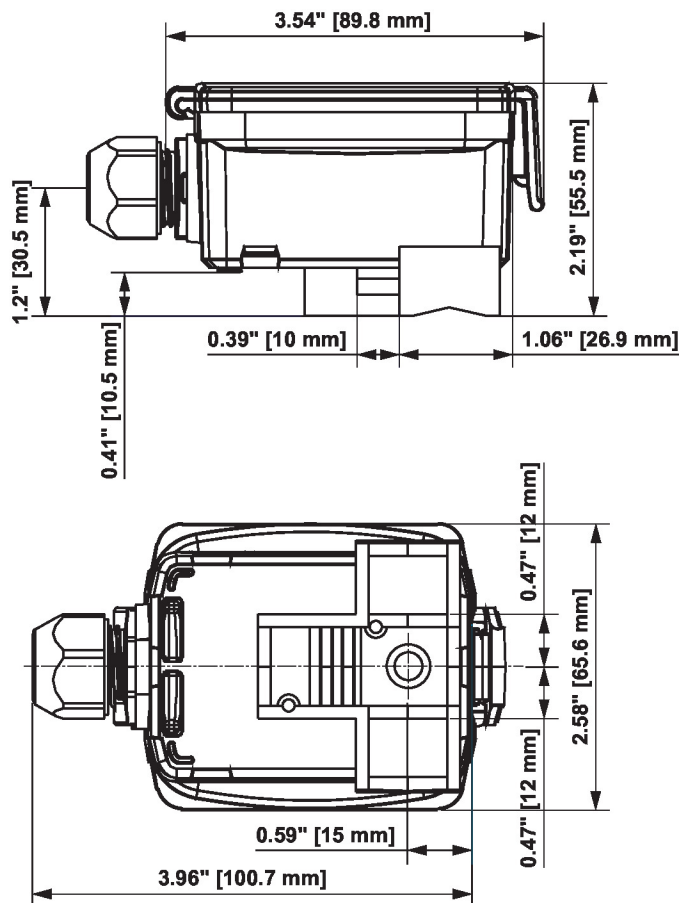
Accessories

Optional accessories	Description	Type
	Fixing strap, with thermal paste for pipes up to Ø 1.6...4.3" [40...110 mm]	A-22P-A40
	Fixing strap, with thermal paste for pipes up to Ø 1.6...9.8" [40...250 mm]	A-22P-A42
	Syringe with thermal paste	A-22P-A44

Wiring Diagram



Dimensions



Type	Weight
01HT-5A	0.33 lb [0.15 kg]
01HT-5B	0.33 lb [0.15 kg]
01HT-5E	0.33 lb [0.15 kg]
01HT-5L	0.33 lb [0.15 kg]
01HT-5M	0.33 lb [0.15 kg]
01HT-5Q	0.33 lb [0.15 kg]