

## Outside Temperature Sensor

For measuring temperature in outdoor areas.  
 Typical applications at cold stores, greenhouses,  
 production plants and warehouses. NEMA 4X /  
 IP65 rated enclosure.



## Type Overview

Type	Output signal passive temperature
01UT-5A	Pt100
01UT-5B	Pt1000
01UT-5E	Ni1000 (JCI)
01UT-5L	NTC10k (10k2)
01UT-5M	NTC10k3 (Precon)
01UT-5Q	NTC20k

## Technical Data

<b>Electrical Data</b>	Electrical connection	Removable spring loaded terminal block max. 2.5 mm <sup>2</sup>
	Cable entry	Cable gland with strain relief Ø6...8 mm (1/2" NPT conduit adapter included)
<b>Functional Data</b>	Output signal passive temperature	Pt100 Pt1000 Ni1000 (JCI) NTC10k (10k2) NTC10k3 (Precon) NTC20k
	Application	air
	<b>Measuring Data</b>	Measuring values
	Measuring range temperature	-30...120°F [-35...50°C]
	Accuracy temperature passive	Passive Sensors depending on used type Pt.. : ±0.5°F @ 32°F [±0.3°C @ 0°C] Ni.. : ±0.7°F @ 32°F [±0.4°C @ 0°C] NTC.. : ±0.35°F @ 77°F [±0.2°C @ 25°C]
	Measuring current	Pt100: <1 mA @ 32°F [0°C] Pt1000: <0.3 mA @ 32°F [0°C] Ni1000 (JCI): <5 mA @ 21°C [70°F] NTC10k2: <2 mA @ 77°F [25°C] NTC10k3: <2.7 mA @ 77°F [25°C] NTC20k: <0.5 mA @ 77°F [25°C]
	Time constant τ (63%) in the room	typical 854 s
<b>Materials</b>	Cable gland	PA6, black
	Mounting plate	Lexan, gray RAL7001
	Housing	Cover: Lexan, grey Bottom: Lexan, grey seal: 0467 NBR70, black UV resistant

<b>Safety Data</b>	Ambient humidity	max. 95% r.H., non-condensing
	Ambient temperature	-30...120°F [-35...50°C]
	Fluid temperature	-30...120°F [-35...50°C]
	Housing surface temperature	max. 195°F [90°C]
	Protection class IEC/EN	III Safety Extra-Low Voltage (SELV)
	Protection class UL	UL Class 2 Supply
	EU Conformity	CE Marking
	Certification IEC/EN	IEC/EN 60730-1
	Certification UL	cULus acc. to UL60730-1A/-2-9, CAN/CSA E60730-1:02/-2-9
	Degree of protection IEC/EN	IP65
	Degree of protection NEMA/UL	NEMA 4X
	Quality Standard	ISO 9001

**Safety Notes**


This device has been designed for use in stationary heating, ventilation and air-conditioning systems and must not be used outside the specified field of application. Unauthorised modifications are prohibited. The product must not be used in relation with any equipment that in case of a failure may threaten humans, animals or assets.

Ensure all power is disconnected before installing. Do not connect to live/operating equipment.

Only authorised specialists may carry out installation. All applicable legal or institutional installation regulations must be complied during installation.

The device contains electrical and electronic components and must not be disposed of as household refuse. All locally valid regulations and requirements must be observed.

**Remarks**
**General Remarks Concerning Sensors**

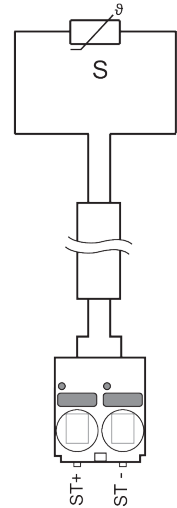
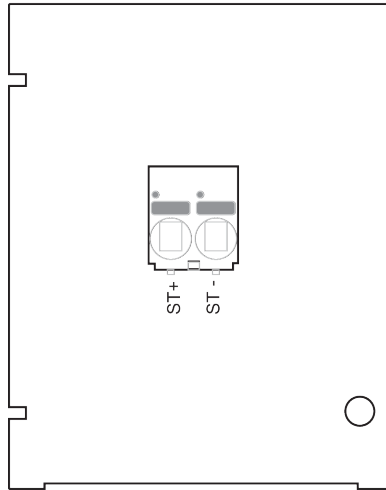
Due to self-heating with 2 wire passive sensors, the supply wire current affects the measurement accuracy, so it should not exceed 1 mA.

When using lengthy connecting cables (depending on the cross section used), the cable resistance must be taken into account. The lower the impedance of the sensor used, the greater the effect of the line resistance on the measurement, because it generates an offset.

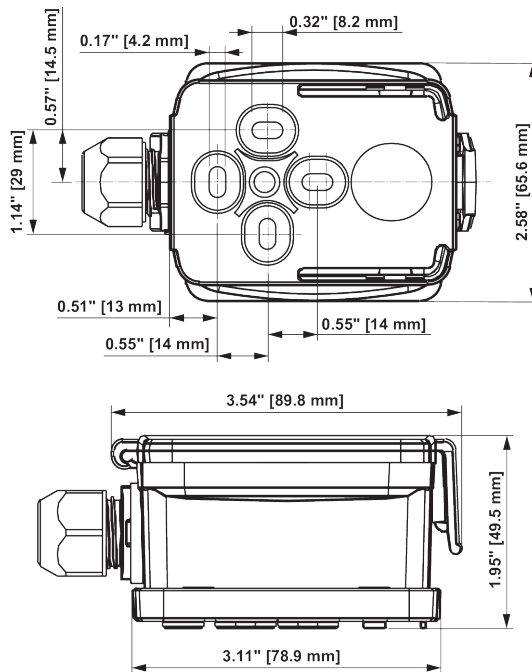
**Scope of delivery**

Scope of delivery	Description	Type
	Mounting plate S housing	A-22D-A09
	Dowel	
	Screws	
	1/2" NPT conduit adapter	

Wiring Diagram



Dimensions



Type	Weight
01UT-5A	0.26 lb [0.12 kg]
01UT-5B	0.26 lb [0.12 kg]
01UT-5E	0.26 lb [0.12 kg]
01UT-5L	0.26 lb [0.12 kg]
01UT-5M	0.26 lb [0.12 kg]
01UT-5Q	0.26 lb [0.12 kg]