

Differential Pressure Sensor Air

Differential pressure transmitter with 8 selectable ranges and Modbus functionality. For monitoring over-, under or the differential pressure of air and other non-flammable and non-aggressive gases. Typical application in HVAC systems for monitoring air filters, fans V-belts or fire and smoke control dampers. Options available with LCD display. NEMA 4X / IP65 rated enclosure.


Type Overview

Type	Measuring range pressure [Pa]	Measuring range pressure [inch WC]	Communication	Output signal active pressure	Output signal active volumetric flow	Burst pressure	Display type
22ADP-556	0...7000	0...28	Modbus RTU	0...5 V, 0...10 V	0...5 V, 0...10 V	40 kPa / 160 inch WC	-
22ADP-556L	0...7000	0...28	Modbus RTU	0...5 V, 0...10 V	0...5 V, 0...10 V	40 kPa / 160 inch WC	LCD

Technical Data

Electrical Data	Nominal voltage	AC/DC 24 V			
	Nominal voltage range	AC 19...29 V / DC 15...35 V			
	Power consumption AC	2 VA			
	Power consumption DC	1.4 W			
	Electrical connection	Removable spring loaded terminal block max. 2.5 mm ²			
	Cable entry	Cable gland with strain relief 2 x Ø6 mm (1/2" NPT conduit adapter included)			
Functional Data	Sensor Technology	piezo measuring element			
	Communicative control	Modbus RTU			
	Multirange	8 measuring ranges selectable			
	Output signal active note	Output 0...5/10 V selectable with switch Voltage output: min. 10 kΩ load current output: max. 500 Ω load			
	Display	LCD, 1.14x1.38" [29x35 mm] with backlight measured values: Pa, inchWC (configurable) measured values volumetric flow: m ³ /h, cfm (configurable)			
	Application	air			
Response time	adjustable 0.8 s or 4.0 s				
Measuring Data	Measuring values	differential pressure			
	Measuring fluid	air and non-aggressive gases			
	Measuring range settings pressure	Setting	range [Pa]	range [inch WC]	Factory setting
		S0	0...7000	0...28	✓
		S1	0...5000	0...20	
		S2	0...4000	0...16	
		S3	0...3000	0...12	
		S4	0...2500	0...10	
		S5	0...2000	0...8	
S6		0...1500	0...6		
S7	0...1000	0...4			

	Accuracy pressure	measuring range ≤8 inch WC: ±0.04 inch WC measuring range >8 inch WC: ±0.1 inch WC
	Long-term stability	±2.5% FSO (Full Scale Output) over 4 years under normal environmental conditions
Materials	Cable gland	PA6, black
	Housing	cover: lexan, orange base: lexan, orange seal: 0467 NBR70, black UV resistant
Safety Data	Ambient humidity	max. 95% r.H., non-condensing
	Ambient temperature	15...120°F [-10...50°C]
	Fluid temperature	15...120°F [-10...50°C]
	Protection class IEC/EN	III Safety Extra-Low Voltage (SELV)
	Protection class UL	UL Class 2 Supply
	EU Conformity	CE Marking
	Certification IEC/EN	IEC/EN 60730-1 and IEC/EN 60730-2-6
	Certification UL	cULus acc. to UL60730-1A/-2-6, CAN/CSA E60730-1:02
	Degree of protection IEC/EN	IP65
	Degree of protection NEMA/UL	NEMA 4X
	Quality Standard	ISO 9001

Safety Notes


This device has been designed for use in stationary heating, ventilation and air-conditioning systems and must not be used outside the specified field of application. Unauthorised modifications are prohibited. The product must not be used in relation with any equipment that in case of a failure may threaten humans, animals or assets.

Ensure all power is disconnected before installing. Do not connect to live/operating equipment.

Only authorised specialists may carry out installation. All applicable legal or institutional installation regulations must be complied during installation.

The device contains electrical and electronic components and must not be disposed of as household refuse. All locally valid regulations and requirements must be observed.

Remarks

- Manual Zero-Point Calibration** In normal operation zero-point calibration should be executed every 12 months.
Attention! For executing zero-point calibration the power supply must be connected one hour before.
- Release both connection tubes from the pressure terminals + and -
 - Press the button until the LED lights permanently
 - Wait until the LED flashes again and reinstall the connection tubes to the pressure ports (note + and -)

Scope of delivery

Scope of delivery	Description	Type
	Duct connector kit, PVC tube 2 m, 2 connection elements (Plastic) for 22ADP-..	A-22AP-A08
	Mounting plate L housing	A-22D-A10
	Cable Gland with strain relief Ø6...8 mm	
	Dowel	
	Screws	
	1/2" NPT conduit adapter, 2 x Ø6 mm	

Accessories

Optional accessories	Description	Type
	Duct connector, Metal, L 1.5", Tube connection 0.2"	A-22AP-A01

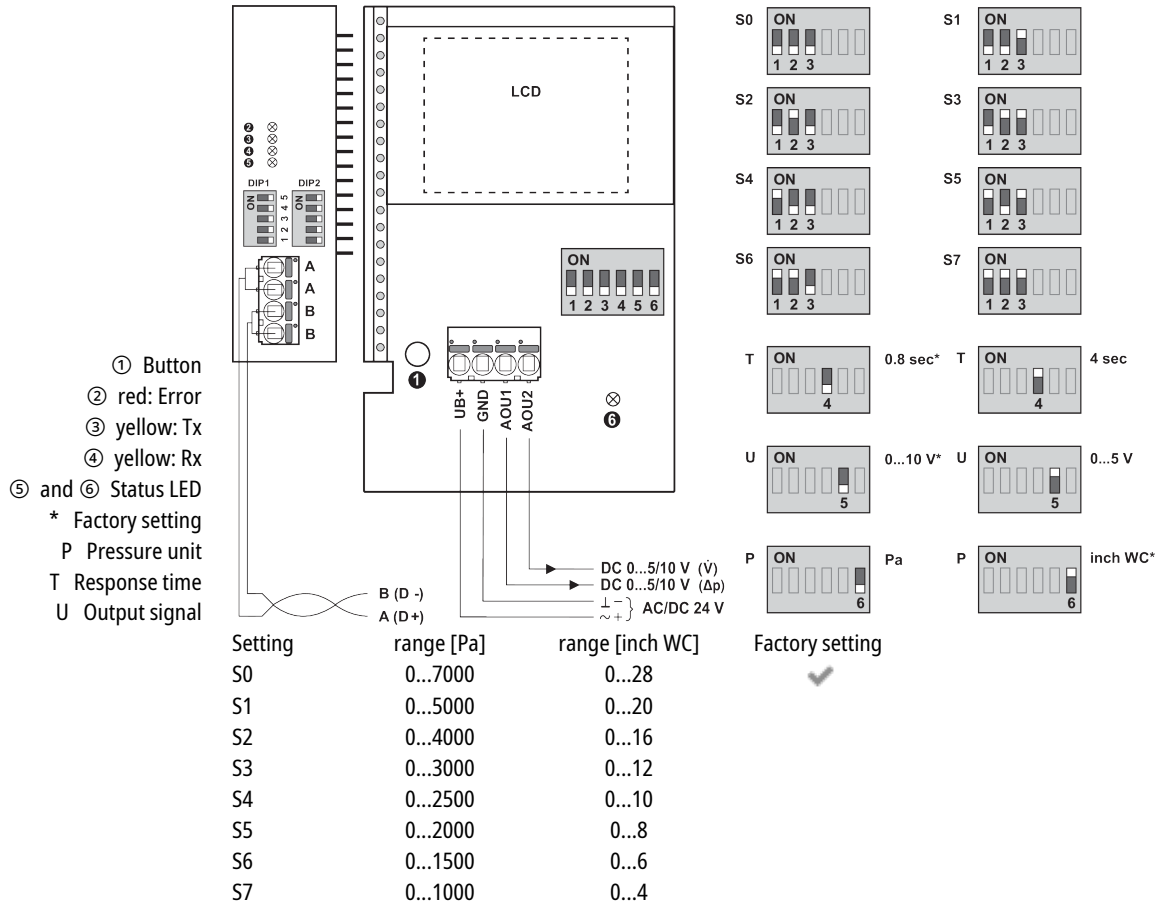
Wiring Diagram

Notes Supply from safety isolating transformer.



The wiring of Modbus RTU (RS485) is to be carried out in accordance with applicable regulations (www.modbus.org). The device has switchable resistors for bus termination.

Modbus-GND: Supply and communication are not galvanically isolated. Connect earth signal of the devices with one another.



Detailed documentation

The separate document Sensor Modbus-Register informs about Modbus register, addressing, parity and bus termination (DIP1: address, DIP2: baud rate, parity, bus termination)

In addition to the information on the bus, the following analogue outputs are available:

AOU1: differential pressure

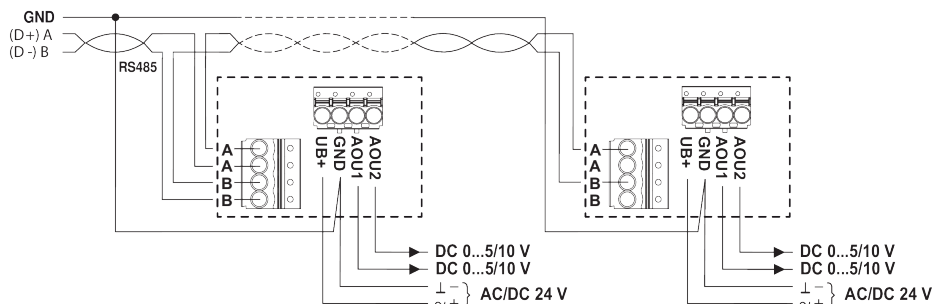
AOU2: volumetric flow

The volumetric flow is calculated from the differential pressure, the k-factor and the height above sea level.

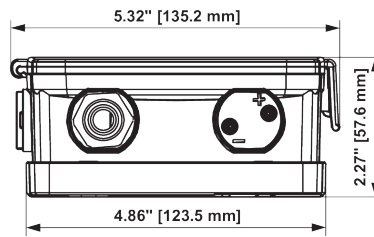
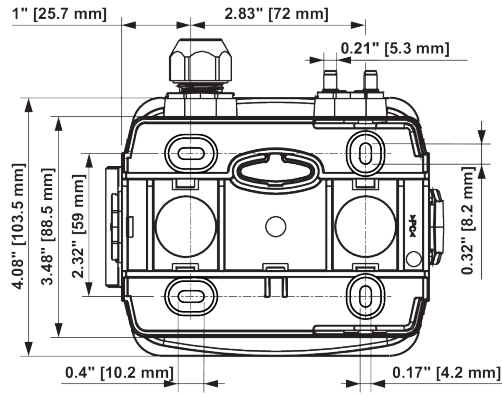
Factory setting for the k-factor is 1.00 and for the height above sea level 330 metres.

The values of the k-factor and the height can be changed via bus system.

Wiring RS485 Modbus RTU



Dimensions



Type	Weight
22ADP-556	0.64 lb [0.29 kg]
22ADP-556L	0.68 lb [0.31 kg]