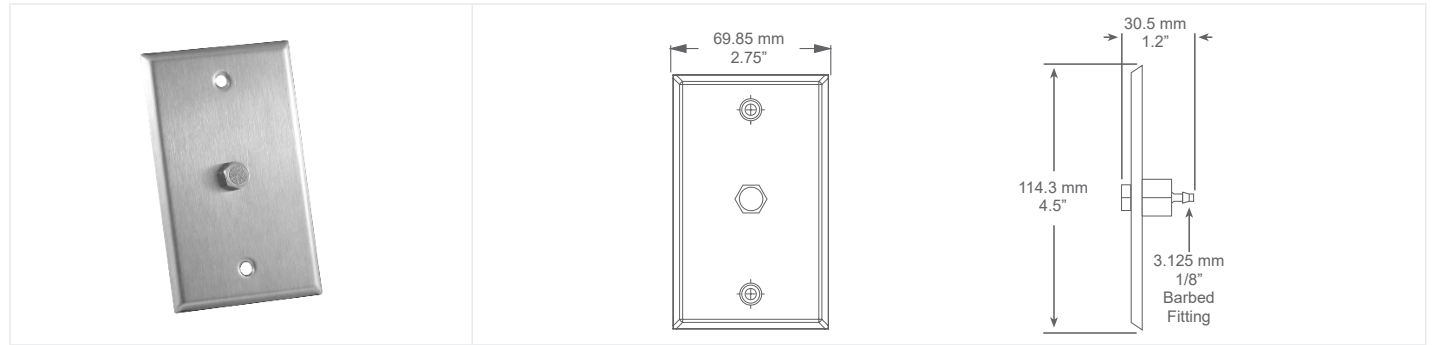


STAINLESS STEEL PRESSURE PICKUP PORT



EXT-RP-SSRPV SERIES

PRODUCT DESCRIPTION

The EXT-RP-SSRPV is a stainless steel wall plate that incorporates a filtered port (2 scfm) with a 3.175 mm (1/8") barb connection for 1/8" ID pneumatic tubing and used in conjunction with a low pressure transmitter to monitor room pressure.

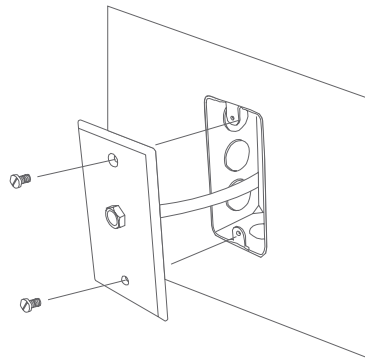
SPECIFICATIONS

| | |
|-------------------|--|
| INLET PORT | Filtered, 2 scfm |
| OUTPUT CONNECTION | 3.175mm (1/8") barbed fitting |
| ENCLOSURE | Stainless Steel - IP50 (NEMA 1) |
| DIMENSIONS | 114.3mm L x 69.85mm W x 30.5mm D (4.5" x 2.75" x 1.2") |
| QUALITY STANDARD | ISO9001 |
| COUNTRY OF ORIGIN | Canada |

TYPICAL INSTALLATION

For complete installation and wiring details, please refer to the product installation instructions.

The EXT-RP-SSRPV series installs on a standard 50.8 x 101.6 mm (2" x 4") junction box or can be mounted directly to the wall. Carefully feed the pneumatic back into the junction box placing the RPV flush against the wall. Line up the mounting holes and install the included screws using a standard flat screwdriver



ORDERING

| | | |
|---------|---------------------|--------------------------------------|
| PRODUCT | EXT-RP-SSRPV | Stainless Steel Pressure Pickup Port |
|---------|---------------------|--------------------------------------|