



5-year warranty

Technical data

Functional data	Fluid Temp Range (water)	Please Refer to Manufacturer's Valve Specifications
Materials	Hardware	Stainless Steel
	Stem Adaptor	Stainless Steel
	Collar	Nylon 66
	Coupling	Stainless Steel
Suitable actuators	Non-Spring	CQB
	Electronic fail-safe	CQKB(X)

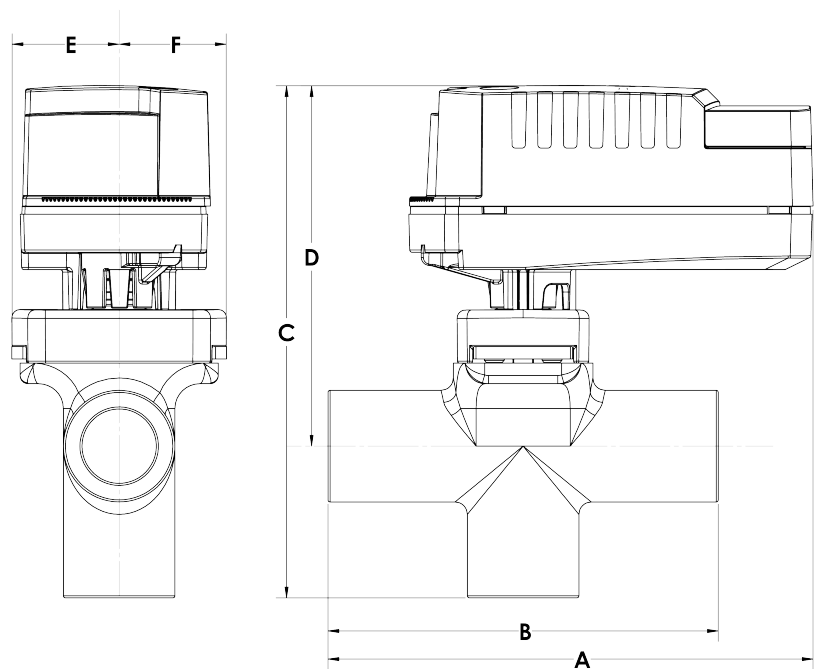
Product features

Application The UBLK1000 retrofit kit is designed to easily attach to the TACO Zone Sentry zone valve utilizing Belimo CQ and CQK series actuators. This ensures minimal downtime and reliable actuation all backed by a 5-year warranty.

Dimensions

Dimensional drawings

CQ/CQK



A	B	C	D	E	F
4.6" [118]	3.7" [95]	4.9" [124]	3.4" [87]	1.0" [25]	1.0" [26]