



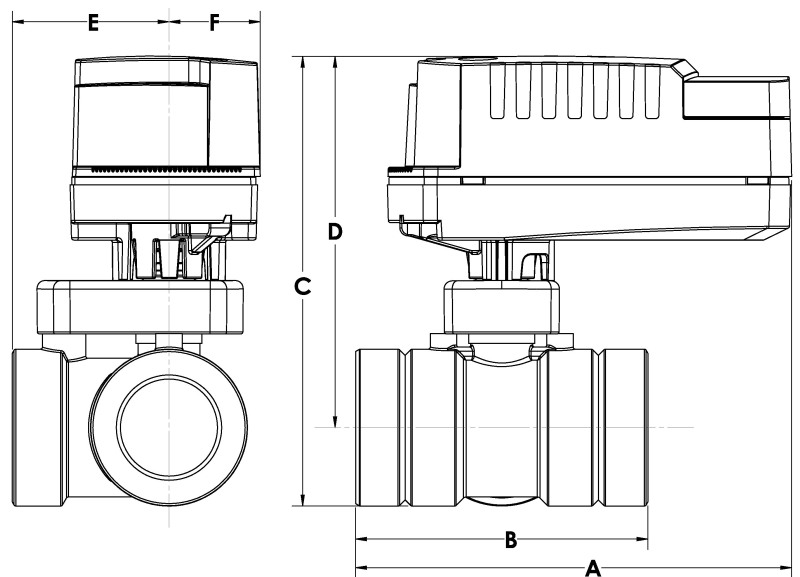
5-year warranty

Technical data

Functional data	Fluid Temp Range (water)	Please Refer to Manufacturer's Valve Specifications
Materials	Hardware	stainless steel
	Stem adapter	stainless steel
	Bearing	nylon
	Collar	Nylon 66
	Coupling	stainless steel
Suitable actuators	Non-Spring	CQB
	Electrical fail-safe	CQKB(X)

Product features

Application The UBLK1200 retrofit kit is designed to easily attach to the Schneider VBB ball valve utilizing Belimo CQ and CQK series actuators. This ensures minimal downtime and reliable actuation all backed by a 5-year warranty.

Dimensions


CQ/CQK

A	B	C	D	E	F
4.2" [106]	2.8" [70]	4.3" [108]	3.5" [89]	1.5" [39]	0.9" [24]