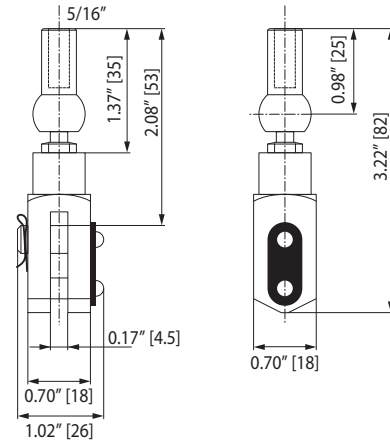
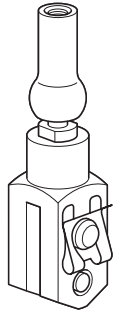


## Z-KSA

Comprising:

- 1 forkhead
  - 1 axial joint with female thread M6
  - 1 double safety bolt
  - 1 safety clamp
- Galvanized steel



Note

Consider possible actuation force losses !

