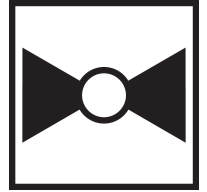




5-year warranty



Technical data

| | | |
|---------------------------|--------------------------------|--|
| Functional data | Valve Size | 0.5" [15] |
| | Fluid | chilled or hot water, up to 60% glycol |
| | Fluid Temp Range (water) | 36...212°F [2...100°C] |
| | Body Pressure Rating | 360 psi |
| | Close-off pressure Δ ps | 75 psi |
| | Servicing | maintenance-free |
| | Flow Pattern | 2-way |
| | Leakage rate | 0% |
| | Controllable flow range | 75° |
| | Cv | 1.2 |
| | Body pressure rating note | 360 psi |
| Materials | Seat | PTFE |
| | End fitting | sweat |
| | O-ring | EPDM (lubricated) |
| | Ball | chrome plated brass |
| Suitable actuators | Non-Spring | CQB |
| | Electronic fail-safe | CQKB(X) |

* If temperature exceeds 212°F operating range due to a boiler control failure the valve will safely contain the hot water but manufacturers product warranty becomes invalid. Valve and actuator replacement is at the expense of others.

Safety notes



- **WARNING:** This product can expose you to lead which is known to the State of California to cause cancer and reproductive harm. For more information go to www.p65warnings.ca.gov

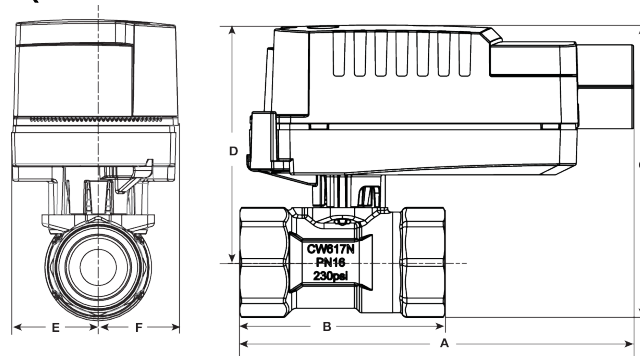
Product features

- Application** The QCV zone valves are suited for large commercial buildings where higher close-off and the ability to change flow is desired. Common applications include unit ventilators, fan coil units, VAV reheat coils, fin tube casing, radiant panels and duct coils. The valve fits in space restricted areas and can be assembled without the use of tools.

Dimensions

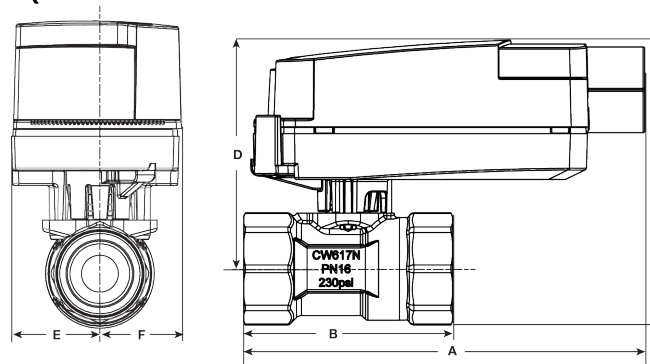
Dimensional drawings

CQK



| A | B | C | D | E | F |
|------------|-----------|-----------|-----------|-----------|-----------|
| 4.5" [114] | 2.0" [52] | 3.3" [83] | 2.7" [69] | 0.9" [24] | 0.9" [24] |

CQ



| A | B | C | D | E | F |
|------------|-----------|-----------|-----------|-----------|-----------|
| 4.5" [114] | 2.0" [52] | 3.1" [80] | 2.6" [65] | 1.0" [25] | 1.0" [26] |