



5-year warranty


Technical data

Functional data	Valve Size	0.5" [15]
	Fluid	chilled or hot water, up to 60% glycol
	Fluid Temp Range (water)	36...212°F [2...100°C]
	Body Pressure Rating	360 psi
	Close-off pressure Δps	40 psi
	Flow characteristic	linear
	Servicing	maintenance-free
	Flow Pattern	3-way Diverting
	Leakage rate	0%
	Cv	1
	Body pressure rating note	360 psi
Materials	Valve body	forged brass
	Stem	brass
	Seat	PTFE
	Pipe connection	sweat
	O-ring	EPDM (lubricated)
	Ball	chrome plated brass
Suitable actuators	Non-Spring	CQB
	Electronic fail-safe	CQKB(X)

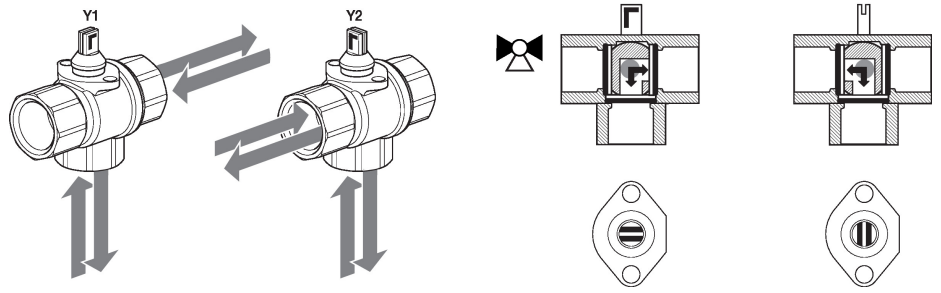
Safety notes


- **WARNING:** This product can expose you to lead which is known to the State of California to cause cancer and reproductive harm. For more information go to www.p65warnings.ca.gov
- * If temperature exceeds 212°F operating range due to a boiler control failure the valve will safely contain the hot water but manufacturers product warranty becomes invalid. Valve and actuator replacement is at the expense of others.

Product features

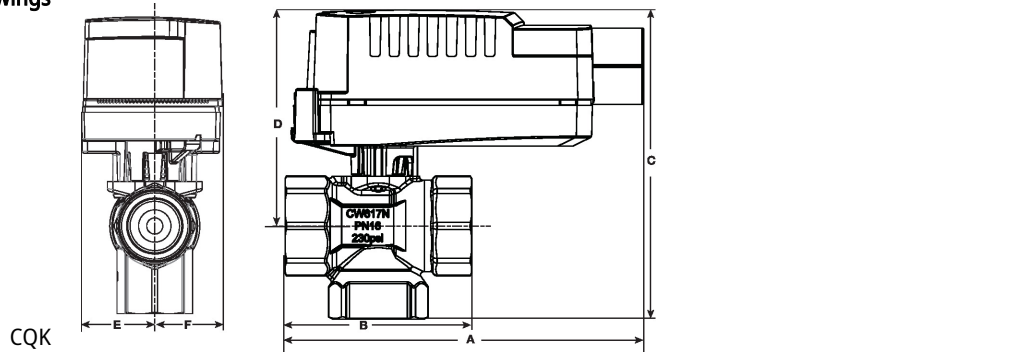
Application The QCV zone valves are suited for large commercial buildings where higher close-off and the ability to change flow is desired. Common applications include unit ventilators, fan coil units, VAV reheat coils, fin tube casing, radiant panels and duct coils. The valve fits in space restricted areas and can be assembled without the use of tools.

Flow/Mounting details

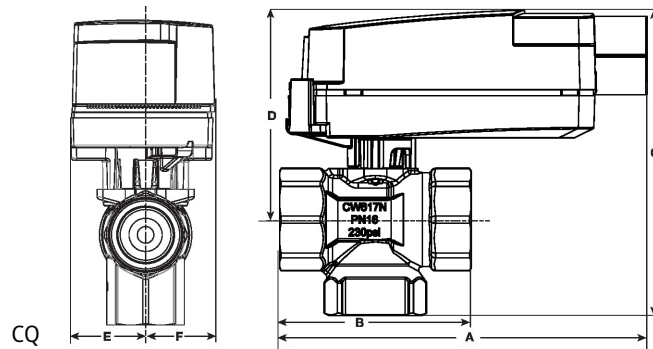


Dimensions

Dimensional drawings



A	B	C	D	E	F
4.5" [114]	2.0" [52]	3.8" [97]	2.7" [69]	1.0" [25]	1.0" [26]



A	B	C	D	E	F
4.5" [114]	2.0" [52]	3.7" [93]	2.6" [65]	1.0" [25]	1.0" [26]