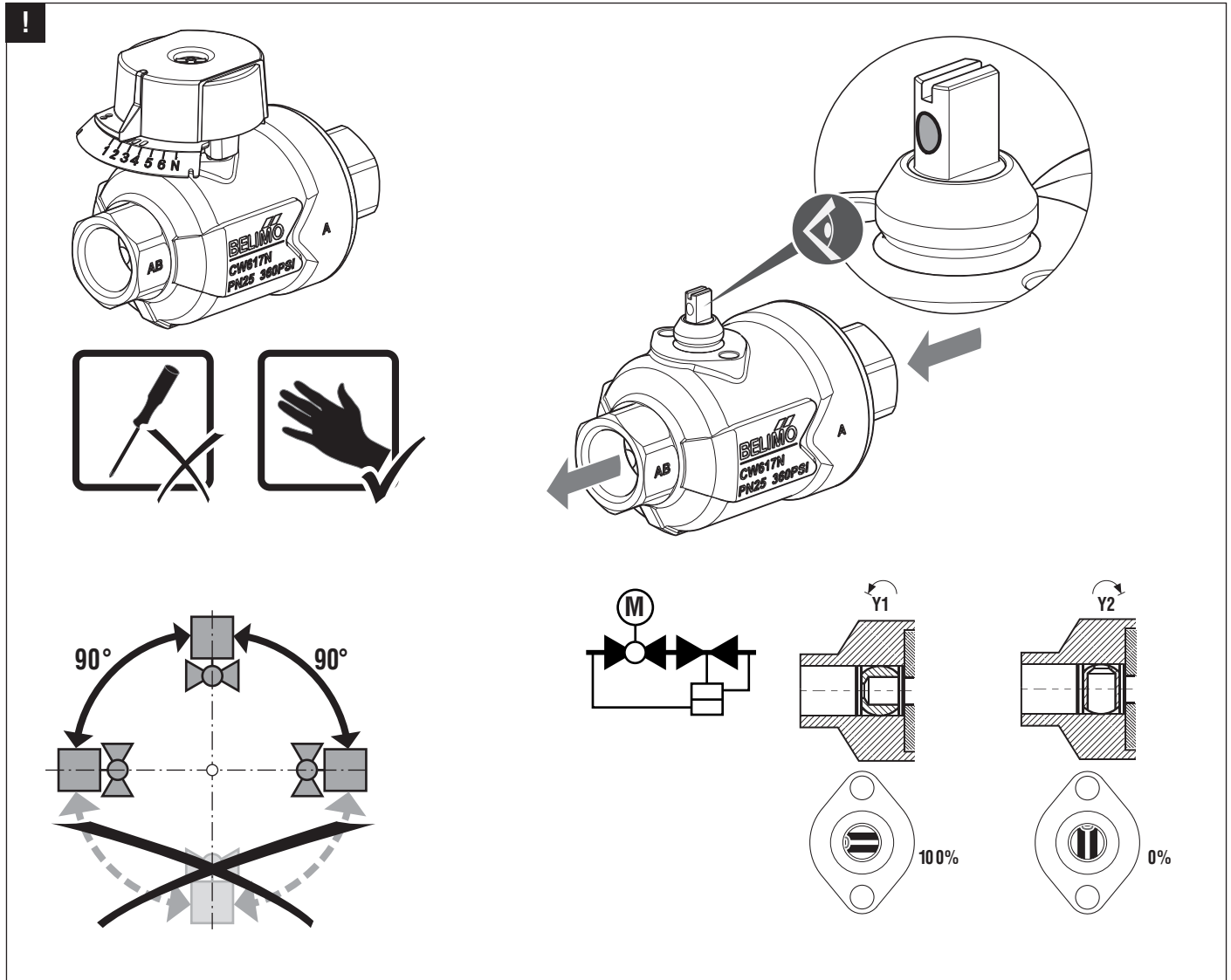


# ZCQB-FL Manual Flow Setter with Belimo ZoneTight™ Zone Valves



# ZCQB-FL Manual Flow Setter with Belimo ZoneTight™ Zone Valves

**1**

QCV	Clip Position for Flow Adjustment										No Clip
	1	2	3-	3	4	4+	5	5+	6	N	No end stop
Z2050Q(S)-F (½")	0.1	N/A	0.2	N/A	N/A	0.4	N/A	0.6	0.8	1.2	1.4
Z2050Q(S)-J (½")	0.5	0.7	N/A	1.2	1.7	N/A	2.4	N/A	3.4	4.8	5.9
Z2075Q(S)-K (¾")	0.5	1.0	N/A	1.5	2.3	N/A	3.3	N/A	4.6	6.6	9.8

PIQCV	Clip Position for Flow Adjustment (GPM)							
	1	2	3	4	5	6	N	No Clip
Z2050QPT-B (½")	N/A	N/A	N/A	N/A	0.4	N/A	0.8	0.9
Z2050QPT-D (½")	0.2	0.3	0.4	0.6	0.9	1.3	1.8	2.0
Z2050QPT-F (½")	N/A	0.6	0.8	1.3	1.9	2.8	3.6	4.3
Z2075QPT-G (¾")	N/A	1.8	2.7	3.7	4.9	6.3	7.7	9.0
Actuator Runtime	30 sec.	37 sec.	43 sec.	49 sec.	55 sec.	62 sec.	68 sec.	75 sec.

