

## ECON-ZIP-LF1

## Mounting Installation Instructions

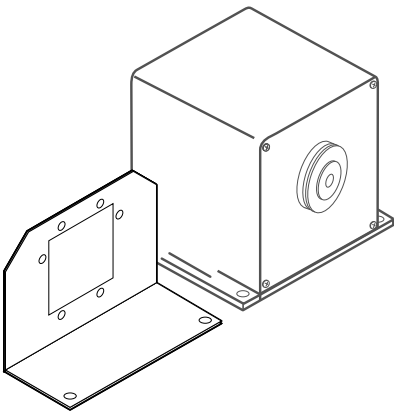
**ECON-ZIP-TF1 kit includes:**

- One (1) "L" shaped mounting bracket
- Hardware:
  - Three (3) pan head self-drilling screws 4, 2x13
  - Two (2) 1/4-28 X 3 hex heads
  - Two (2) 1/4-28 nylon lock nut
- One (1) ECON-ZIP-ACT kit
  - Kit includes:
    - One (1) shaft adapter
    - One (1) instruction sheet
    - Hardware:
      - Four (4) nut #6-32 Zinc finish NM grade 2 nylon
      - Four (4) screws #6-32 UNCx1/2" Philips pan head
- One (1) instruction sheet

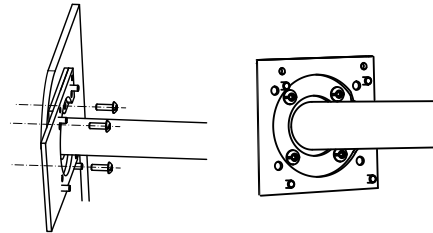
**1** Verify that you have all the parts listed before installing the linkage.

**2** Remove the Honeywell Black Box Motor (M7XXX) or comparable actuator, without adjusting the current damper linkage assembly.

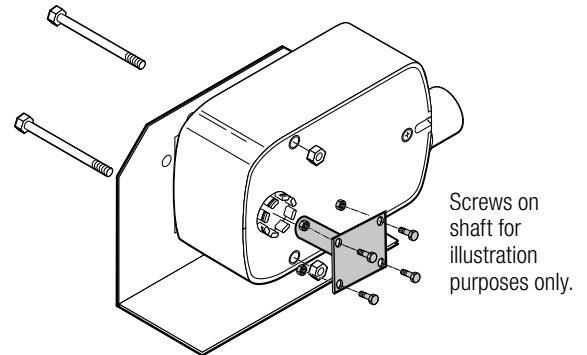
**3** The Mounting Bracket is provided with the hole patterns to mount the LF series actuator in either a horizontal or vertical position to meet space requirements. Mount the bracket to the holes utilizing the three pan head self-drilling screws 4, 2x13.



**4** Match the hole pattern of the shaft face to the existing linkage and utilize the #6-32 screws and nuts with the ECON-ZIP-ACT to secure into place. **Note: At least 2 screws and nuts should be used.**



**5** Slide the actuator onto the shaft, Secure the actuator to the mounting plate with the two 1/4-28 screws and nuts provided.



**6** Secure the shaft by tightening the nuts on the V-bolt with a 10mm wrench to 6-8 ft-lb of torque.

