

Piping Package Nomenclature

P 2	1 1 1	1 2 1 3	1 2 1 1	2
Piping Package P = Piping Package Valve Type 2 = 2-way CCV 3 = 3-way CCV E = ePIV / EV P = PIQCV Q = QCV Z = Zone Options S = Supply Side Package X = Extension Package	Union Valve Size 1 = ½" 2 = ¾" 3 = 1" 4 = 1...¾" 5 = ¾...½" A = 1½" B = 1¼" C = 2" D = 1¼...1" E = 1½...1¼" F = 2...1½" G = 1...½" H = 1¼...¾" J = 1½...1" K = 2...1¼" Body End 1 = Female NPT 2 = Copper Sweat Configuration 1 = Standard Tailpiece End Male NPT Only	Isolation Valve / Manual Balance Valve Valve Size 1 = ½" 2 = ¾" 3 = 1" 4 = 1...¾" 5 = ¾...½" A = 1½" B = 1¼" C = 2" D = 1¼...1" E = 1½...1¼" F = 2...1½" G = 1...½" H = 1¼...¾" J = 1½...1" K = 2...1¼" Body End 1 = Female NPT 2 = Copper Sweat Configuration 1 = Standard Tailpiece End Male NPT Only	Strainer / Isolation Valve Valve Size 1 = ½" 2 = ¾" 3 = 1" 4 = 1...¾" 5 = ¾...½" A = 1½" B = 1¼" C = 2" D = 1¼...1" E = 1½...1¼" F = 2...1½" G = 1...½" H = 1¼...¾" J = 1½...1" K = 2...1¼" Body End 1 = Female NPT 2 = Copper Sweat Configuration 1 = Standard Tailpiece End (Strainer Option) 1 = Female NPT 2 = Copper Sweat 3 = Male NPT Tailpiece End (Isolation Valve Option) 0 = Select "0" for Isolation Valve Option Male NPT Only	Hose Diameter & Length 1 = ½" (12" length) 2 = ½" (24" length) 3 = ¾" (12" length) 4 = ¾" (24" length) 5 = 1" (12" length) 6 = 1" (24" length) 7 = ½" (18" length) 8 = ¾" (18" length) 9 = 1" (18" length) A = 1¼" (18" length) H = 1¼" (24" length) B = 1¼" (36" length) C = 1½" (18" length) D = 1½" (24" length) E = 1½" (36" length) F = 2" (24" length) G = 2" (36" length)

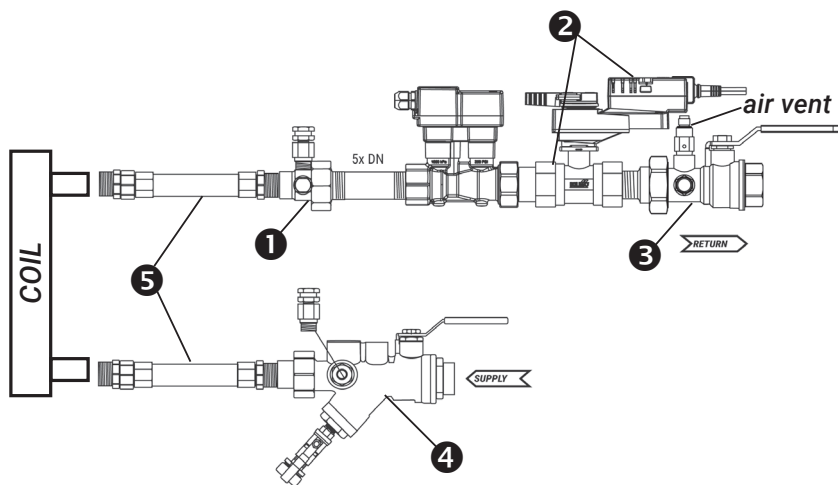
Please refer to typical Piping Package layouts on pages prior to ordering. Nomenclature chart does not include all configuration options or press connection types. Manual Balance Valves require flow consideration for proper sizing. Download Select-Pro software for complete options and available configurations. Consult factory for lead time. Non-standard items have increased lead time.

Non-Standard items include:

- 1¼...2" packages of all types
- All sizes of Unions, Manual Balance Valves, Strainers and Isolation Valves without P/T ports
- All sizes of Unions, Manual Balance Valves, Strainers and Isolation Valves with extensions
- All sizes of components with press fit connections

Note: Piping Package smart code does not include the Belimo control valve in the price.

Piping Packages for 2-way Electronic Pressure Independent Valves (ePIV) and Energy Valves (EV)



2-way ePIV/EV (½...2") Return Side Package (Standard)

- ❶ Union with integral 5 X DN tail
- ❷ Belimo Valve and Actuator (Not included in Smart Code or List Price)
- ❸ Isolation Valve
- ❹ Strainer or Isolation Valve (Strainer shown)
- ❺ Optional hoses are available

Supply side packages feature the Belimo control valve on the supply side of the coil and the above components arranged in a supply configuration. Refer to the SelectPro software for supply side configurations.



5-year warranty

Union Technical Specifications

Fluid	chilled or hot water, 60% glycol
Sizes	½", ¾", 1", 1¼", 1½", 2"
Materials:	
Body	forged brass
Union nut	forged brass
Tailpiece	forged brass with red brass tail extension
O-ring	EPDM
Readout port body & cap	extruded brass
Readout port seal	Nordel
Pressure/temperature ratings:	
½...2"	600 psi
Component temperature	250°F maximum
Fluid temperature range	14...250°F [-10...120°C] 39°F [4°C] on P2200S-1000/ EV200S-1000

Isolation Valve Technical Specifications

Fluid	chilled or hot water, 60% glycol
Sizes	½", ¾", 1", 1¼", 1½", 2"
Materials:	
Body	forged brass
Gland nut	extruded brass
Ball	chrome plated/hot forged brass
Stem	extruded brass
Union nut	forged brass
Tailpiece	forged brass
Seats	virgin PTFE
Packing	virgin PTFE
Stem o-rings	Viton
Readout port body & cap	extruded brass
Readout port seal	Nordel
Pressure/temperature ratings:	
½...¾"	600 psi
1...2"	500 psi
Component temperature	300°F maximum
Fluid temperature range	14...250°F [-10...120°C] 39°F [4°C] on P2200S-1000/ EV200S-1000
Leakage	0%

Strainer Technical Specifications

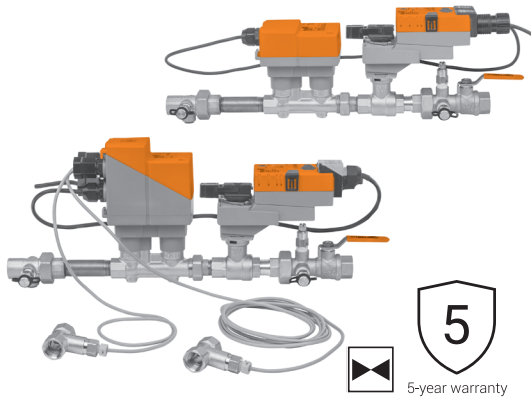
Fluid	chilled or hot water, 60% glycol
Sizes	½", ¾", 1", 1¼", 1½", 2"
Materials:	
Body	forged brass
Union nut	forged brass
Ball	chrome plated/forged brass
Stem & gland nut	forged brass
Tailpiece	forged brass
Seals & packing	PTFE
Stem o-rings	Viton
Strainer screen	304 stainless steel /20 mesh standard
Readout port body & cap	extruded brass
Readout port seal	Nordel
Pressure/temperature ratings:	
½...2"	600 psi
Component temperature	325°F maximum
Fluid temperature range	14...250°F [-10...120°C] 39°F [4°C] on P2200S-1000/ EV200S-1000
Leakage	0%

Hose Technical Specifications

External braiding	stainless steel AISI 304
Crimping ferrules	stainless steel AISI 304
Connectors	machined brass
Fiber gasket	BA-U fiber washer
Core	formulated EPDM
Operating & burst pressure rating:	
½"	375 psi operating *400 psi <195°F [90°C] 1500 psi burst pressure
¾"	300 psi operating *400 psi <195°F [90°C] 1200 psi burst pressure
1"	225 psi operating 900 psi burst pressure
1¼"	200 psi operating 800 psi burst pressure
1½"	175 psi operating 600 psi burst pressure
2"	150 psi operating 500 burst pressure
Component temperature	-5...+230°F [-20...+110°C] less than 41°F with use of glycol additive

Note: Fluid temperature may be limited by the hose rating

W_17000-04/21 - Subject to change. © Belimo Aircontrols (USA), Inc.
All prices are in Canadian Dollars (CAD)



COMPONENT ORDER NOMENCLATURE

EXAMPLE: PE	21C	2110	2111	3
	Union PPU21C	Isolation PPV2110	Strainer PPS2111	Hose PHOSE3



UNION WITH 5X DN TAIL

Nominal Size	Part Number	LIST PRICE
1/2"	PPU11C	\$135
3/4"	PPU21C	\$173
1"	PPU31C	\$236
1 1/4"	PPUB1C	\$380
1 1/2"	PPUA1C	\$500
2"	PPUC1C	\$739

Note: EV/EPIV hybrid unions currently available in F-NPT, no size reduction.
All combinations of reorder numbers are not reflected. Please contact customer service or download the SelectPro software at www.belimo.ca to configure other possible combinations.

Please Note: For return policy, refer to Piping Package section in Terms and Conditions.

* Contains Non-Standard Items

PIPING PACKAGE SMARTCODE (EPIV/EV)	Valve Nominal Size		UNION Body End/ Tailpiece End	ISOLATION VALVE Body End/ Tailpiece End	STRAINER Body End/ Tailpiece End	LIST PRICE
	Inches	DN [mm]				
Piping Package Part # (2-way EPIV/EV) without hose						
PE 11C 1110 1111 0	1/2	15	F-NPT/M-NPT	F-NPT/M-NPT	F-NPT/F-NPT	\$484
PE 11C 1210 1212 0	1/2	15	F-NPT/M-NPT	Sweat/M-NPT	Sweat/Sweat	\$484
PE 11C 11B0 11B3 0*	1/2	15	F-NPT/M-NPT	Press/M-NPT	Press/F-NPT	\$576
PE 21C 2110 2111 0	3/4	20	F-NPT/M-NPT	F-NPT/M-NPT	F-NPT/F-NPT	\$589
PE 21C 2210 2212 0	3/4	20	F-NPT/M-NPT	Sweat/M-NPT	Sweat/Sweat	\$591
PE 21C 21B0 21B3 0*	3/4	20	F-NPT/M-NPT	Press/M-NPT	Press/F-NPT	\$763
PE 31C 3110 3111 0	1	25	F-NPT/M-NPT	F-NPT/M-NPT	F-NPT/F-NPT	\$762
PE 31C 3210 3212 0	1	25	F-NPT/M-NPT	Sweat/M-NPT	Sweat/Sweat	\$762
PE 31C 31B0 21B3 0*	1	25	F-NPT/M-NPT	Press/M-NPT	Press/F-NPT	\$1,003
PE B1C B110 B111 0*	1 1/4	32	F-NPT/M-NPT	F-NPT/M-NPT	F-NPT/F-NPT	\$1,405
PE B1C B210 B212 0*	1 1/4	32	F-NPT/M-NPT	Sweat/M-NPT	Sweat/Sweat	\$1,405
PE B1C B1B0 B1B3 0*	1 1/4	32	F-NPT/M-NPT	Press/M-NPT	Press/F-NPT	\$2,005
PE A1C A110 A111 0*	1 1/2	40	F-NPT/M-NPT	F-NPT/M-NPT	F-NPT/F-NPT	\$1,743
PE A1C A210 A212 0*	1 1/2	40	F-NPT/M-NPT	Sweat/M-NPT	Sweat/Sweat	\$1,743
PE A1C A1B0 A1B3 0*	1 1/2	40	F-NPT/M-NPT	Press/M-NPT	Press/F-NPT	\$2,404
PE C1C C110 C111 0*	2	50	F-NPT/M-NPT	F-NPT/M-NPT	F-NPT/F-NPT	\$2,512
PE C1C C210 C212 0*	2	50	F-NPT/M-NPT	Sweat/M-NPT	Sweat/Sweat	\$2,507
PE C1C C1B0 C1B3 0*	2	50	F-NPT/M-NPT	Press/M-NPT	Press/F-NPT	\$4,016

PIPING PACKAGE SMARTCODE (EPIV/EV)	Valve Nominal Size		UNION Body End/ Tailpiece End	ISOLATION VALVE Body End/ Tailpiece End	STRAINER Body End/ Tailpiece End	LIST PRICE
	Inches	DN [mm]				
Piping Package Part # (2-way EPIV/EV) with short hose						
PE 11C 1110 1111 1	1/2	15	F-NPT/M-NPT	F-NPT/M-NPT	F-NPT/F-NPT	\$610
PE 11C 1210 1211 1	1/2	15	F-NPT/M-NPT	Sweat/M-NPT	Sweat/F-NPT	\$610
PE 11C 11B0 11B3 1*	1/2	15	F-NPT/M-NPT	Press/M-NPT	Press/F-NPT	\$702
PE 21C 2110 2111 3	3/4	20	F-NPT/M-NPT	F-NPT/M-NPT	F-NPT/F-NPT	\$793
PE 21C 2210 2211 3	3/4	20	F-NPT/M-NPT	Sweat/M-NPT	Sweat/F-NPT	\$795
PE 21C 21B0 21B3 3*	3/4	20	F-NPT/M-NPT	Press/M-NPT	Press/F-NPT	\$967
PE 31C 3110 3111 5	1	25	F-NPT/M-NPT	F-NPT/M-NPT	F-NPT/F-NPT	\$1,150
PE 31C 3210 3211 5	1	25	F-NPT/M-NPT	Sweat/M-NPT	Sweat/F-NPT	\$1,150
PE 31C 31B0 21B3 5*	1	25	F-NPT/M-NPT	Press/M-NPT	Press/F-NPT	\$1,391
PE B1C B110 B111 A*	1 1/4	32	F-NPT/M-NPT	F-NPT/M-NPT	F-NPT/F-NPT	\$2,101
PE B1C B210 B211 A*	1 1/4	32	F-NPT/M-NPT	Sweat/M-NPT	Sweat/Sweat	\$2,101
PE B1C B1B0 B1B3 A*	1 1/4	32	F-NPT/M-NPT	Press/M-NPT	Press/F-NPT	\$2,701
PE A1C A110 A111 C*	1 1/2	40	F-NPT/M-NPT	F-NPT/M-NPT	F-NPT/F-NPT	\$2,739
PE A1C A210 A211 C*	1 1/2	40	F-NPT/M-NPT	Sweat/M-NPT	Sweat/Sweat	\$2,739
PE A1C A1B0 A1B3 C*	1 1/2	40	F-NPT/M-NPT	Press/M-NPT	Press/F-NPT	\$3,400
PE C1C C110 C111 F*	2	50	F-NPT/M-NPT	F-NPT/M-NPT	F-NPT/F-NPT	\$4,634
PE C1C C210 C211 F*	2	50	F-NPT/M-NPT	Sweat/M-NPT	Sweat/Sweat	\$4,629
PE C1C C1B0 C1B3 F*	2	50	F-NPT/M-NPT	Press/M-NPT	Press/F-NPT	\$6,138

PIPING PACKAGE SMARTCODE (EPIV/EV)	Valve Nominal Size		UNION Body End/ Tailpiece End	ISOLATION VALVE Body End/ Tailpiece End	STRAINER Body End/ Tailpiece End	LIST PRICE
	Inches	DN [mm]				
Piping Package Part # (2-way EPIV/EV) with long hose						
PE 11C 1110 1111 2	1/2	15	F-NPT/M-NPT	F-NPT/M-NPT	F-NPT/F-NPT	\$648
PE 11C 1210 1211 2	1/2	15	F-NPT/M-NPT	Sweat/M-NPT	Sweat/F-NPT	\$648
PE 11C 11B0 11B3 2*	1/2	15	F-NPT/M-NPT	Press/M-NPT	Press/F-NPT	\$740
PE 21C 2110 2111 4	3/4	20	F-NPT/M-NPT	F-NPT/M-NPT	F-NPT/F-NPT	\$853
PE 21C 2210 2211 4	3/4	20	F-NPT/M-NPT	Sweat/M-NPT	Sweat/F-NPT	\$855
PE 21C 21B0 21B3 4*	3/4	20	F-NPT/M-NPT	Press/M-NPT	Press/F-NPT	\$1,027
PE 31C 3110 3111 6	1	25	F-NPT/M-NPT	F-NPT/M-NPT	F-NPT/F-NPT	\$1,214
PE 31C 3210 3211 6	1	25	F-NPT/M-NPT	Sweat/M-NPT	Sweat/F-NPT	\$1,214
PE 31C 31B0 21B3 6*	1	25	F-NPT/M-NPT	Press/M-NPT	Press/F-NPT	\$1,455
PE B1C B110 B111 B*	1 1/4	32	F-NPT/M-NPT	F-NPT/M-NPT	F-NPT/F-NPT	\$2,311
PE B1C B210 B211 B*	1 1/4	32	F-NPT/M-NPT	Sweat/M-NPT	Sweat/Sweat	\$2,311
PE B1C B1B0 B1B3 B*	1 1/4	32	F-NPT/M-NPT	Press/M-NPT	Press/F-NPT	\$2,911
PE A1C A110 A111 E*	1 1/2	40	F-NPT/M-NPT	F-NPT/M-NPT	F-NPT/F-NPT	\$3,129
PE A1C A210 A211 E*	1 1/2	40	F-NPT/M-NPT	Sweat/M-NPT	Sweat/Sweat	\$3,129
PE A1C A1B0 A1B3 E*	1 1/2	40	F-NPT/M-NPT	Press/M-NPT	Press/F-NPT	\$3,790
PE C1C C110 C111 G*	2	50	F-NPT/M-NPT	F-NPT/M-NPT	F-NPT/F-NPT	\$4,980
PE C1C C210 C211 G*	2	50	F-NPT/M-NPT	Sweat/M-NPT	Sweat/Sweat	\$4,975
PE C1C C1B0 C1B3 G*	2	50	F-NPT/M-NPT	Press/M-NPT	Press/F-NPT	\$6,484