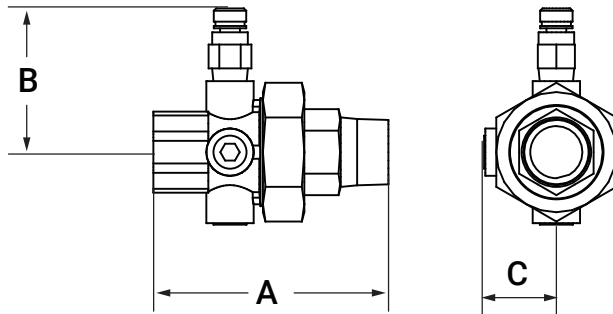


Technical Data	
Fluid	chilled or hot water, 60% glycol
Sizes	½", ¾", 1", 1¼", 1½", 2"
Materials:	
Body	forged brass
Union nut	forged brass
Tailpiece	forged brass
O-ring	EPDM
Readout port body & cap	extruded brass
Readout port seal	Nordel
Pressure /temp. ratings:	
½"...2"	600 psi
Component temperature	250°F maximum



Valve Nominal Size		Dimensions Inches [mm]		
Inches	DN [mm]	A	B	C
½"	[10]	3.47 [88.14]	1.94 [49.28]	0.87 [22.10]
¾"	[15]	3.55 [90.17]	2.17 [55.12]	1.10 [27.94]
1"	[25]	3.92 [99.57]	2.17 [55.12]	1.10 [27.94]
1¼"	[32]	4.16 [105.66]	2.56 [65.02]	1.51 [38.35]
1½"	[40]	4.18 [106.17]	2.56 [65.02]	1.51 [38.35]
2"	[50]	4.47 [113.54]	2.87 [72.91]	1.82 [46.23]

### Application

The integrated Union with readout port combines the features of a union, reducer/adaptor fittings and pressure/temperature readout port into a single unit.

This greatly simplifies the Contractor's job by eliminating numerous piping connections, thus saving time, money, and potential leak points. The Union is available with female NPT, male NPT or copper sweat connections, making tough piping jobs a snap.

Connection Availability	
Body end	female NPT ½"...2" male NPT ½"...2" copper SWT ½"...2"
Tailpiece end	male NPT ½"...2"
Body end with one size reduction	female NPT ¾"...2" male NPT ¾"...2" copper SWT ¾"...2"
Body end with two size reductions	female NPT 1"...2" male NPT 1"...2" copper SWT 1"...2"

Part Number	
PPU111	½" female NPT with P/T port
PPU121	½" sweat with P/T port
PPU131	½" male NPT with P/T port
PPU211	¾" female NPT with P/T port
PPU221	¾" sweat with P/T port
PPU231	¾" male NPT with P/T port
PPU311	1" female NPT with P/T port
PPU321	1" sweat with P/T port
PPU331	1" male NPT with P/T port
PPU411	1" to ¾" female NPT with P/T port
PPU421	1" to ¾" sweat with P/T port
PPU431	1" to ¾" male NPT with P/T port
PPU511	¾" to ½" female NPT with P/T port
PPU521	¾" to ½" sweat with P/T port
PPU531	¾" to ½" male NPT with P/T port

Note: All reductions are on the tail piece side.  
Only standard items are shown. Consult factory or Select-Pro software for full range of available options including 1¼"...2" sizes.

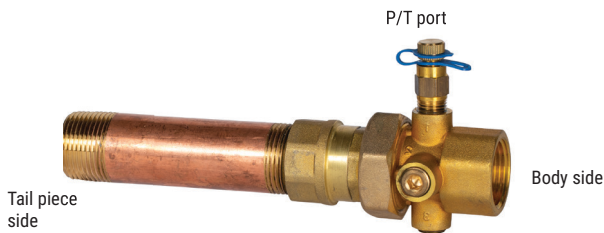
**Custom Option:** The Union is available in a body side press fit option for sizes ½"...2"  
The Press Fit Union is rated 250PSI WOG. Connections are manufactured to IAPMO PS 117 for direct mechanical connection to ASTM B88-Type K, L and M copper tubing in the hard drawn condition.

### Safety Note

**Warning:** This product can expose you to lead which is known to the State of California to cause cancer and reproductive harm. For more information go to [www.p65warnings.ca.gov](http://www.p65warnings.ca.gov)

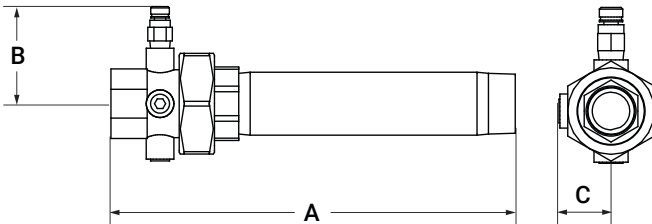
# Union Valve

## Integrated Union with 5xDN tail / Readout Port



### Technical Data

Fluid	chilled or hot water, 60% glycol
Sizes	½", ¾", 1", 1¼", 1½", 2"
Materials:	
Body	forged brass
Union nut	forged brass
Tailpiece	forged brass with red brass tail extension
O-ring	EPDM
Readout port body & cap	extruded brass
Readout port seal	Nordel
Pressure /temp. ratings:	
½"...2"	600 psi
Component temperature	250°F maximum



### Dimensions

Valve Nominal Size		Dimensions Inches [mm]		
Inches	DN [mm]	A	B	C
½"	[10]	4.78 [121.41]	1.94 [49.28]	0.87 [22.10]
¾"	[15]	6.28 [159.51]	2.17 [55.12]	1.10 [27.94]
1"	[25]	8.16 [207.26]	2.17 [55.12]	1.10 [27.94]
1¼"	[32]	10.66 [270.76]	2.56 [65.02]	1.51 [38.35]
1½"	[40]	11.84 [300.74]	2.56 [65.02]	1.51 [38.35]
2"	[50]	14.15 [359.41]	2.87 [72.91]	1.82 [46.23]

### Application

The integrated Union with readout port combines the features of a union, 5xDN tail adaptor fittings and pressure/temperature readout port into a single unit designed specifically for use with ePIV/EV.

This greatly simplifies the Contractor's job by eliminating numerous piping connections, thus saving time, money, and potential leak points. The Union is available with female NPT connections, making tough piping jobs a snap.

### Connection Availability

Body end	female NPT ½"...2"
Tailpiece end	male NPT ½"...2"

### Part Number

PPU11C	½" female NPT with P/T port
PPU21C	¾" female NPT with P/T port
PPU31C	1" female NPT with P/T port
PPUB1C	1¼" female NPT with P/T port
PPUA1C	1½" female NPT with P/T port
PPUC1C	2" female NPT with P/T port

### Safety Note

**Warning:** This product can expose you to lead which is known to the State of California to cause cancer and reproductive harm. For more information go to [www.p65warnings.ca.gov](http://www.p65warnings.ca.gov)