

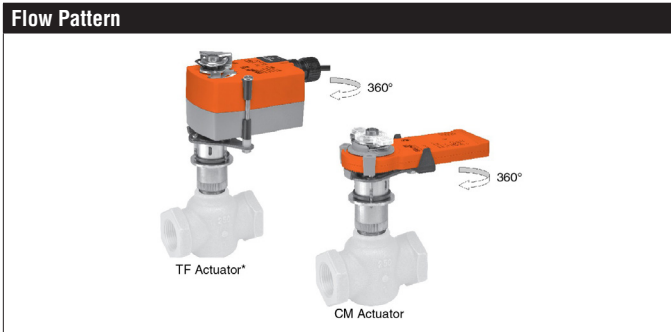
UGSL1200 Linkage for SBT 599 MT/MZ Globe Valves

For CM and TF Series Actuators



Technical Data	
Media	chilled or hot water and steam
Applicable Valve Size	1/2" [15], 3/4" [20], 1" [25], 1-1/4" [32], 1-1/2" [40], 2" [50]
Hardware	stainless steel
Stem	stainless steel
Frame, plate, base	aluminum, stainless steel
Coupling	brass
Housing material	Aluminum
Bearing	nylon 6/6 with MDS
Stroke	6 mm
Mounting Position	360°
Weight	0.71 lb [0.33 kg]
Media Temp Range (water)	Please Refer to Manufacturer's Valve Specifications

*TFL series actuators required for on/off applications. Linkage can not be used for 1.5" NC valves. For close-off pressure reference Select Pro or Retrofit Technical Documentation.



Application

The UGSL1200 retrofit kit is designed to easily attach to the valve bonnet on select Siemens 599 MT/MZ short-stroke valves utilizing Belimo CM and TF* series actuators.

The unique coupler design allows the UGSL1200 to be mounted on any 1/2" to 1 1/4" two-way or three-way valves. In addition, the linkage is suitable for both normally open and normally closed valves.

Operation

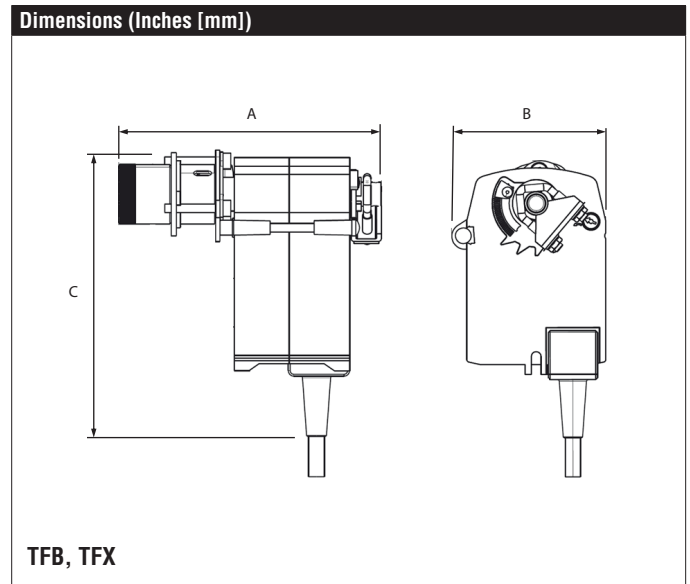
The UGSL1200 linkage provides 6 mm of downward stroke with 90° CW rotation on the actuator. This allows the valve to extend fully open or closed based on signal. The slot located on the housing provides indication when the maximum stroke has been reached. For troubleshooting when using a CM actuator, the operator may use the manual override feature to rotate the linkage up or down. When using the TF, refer to electronic override instructions according to actuator model.

Default/Configuration

The default set up for this linkage is for usage with the CM actuator. Included in the kit is an extension piece for TF actuators. Hardware is supplied to attach the shaft extension and anti-rotation screws to both a CM or TF actuator.

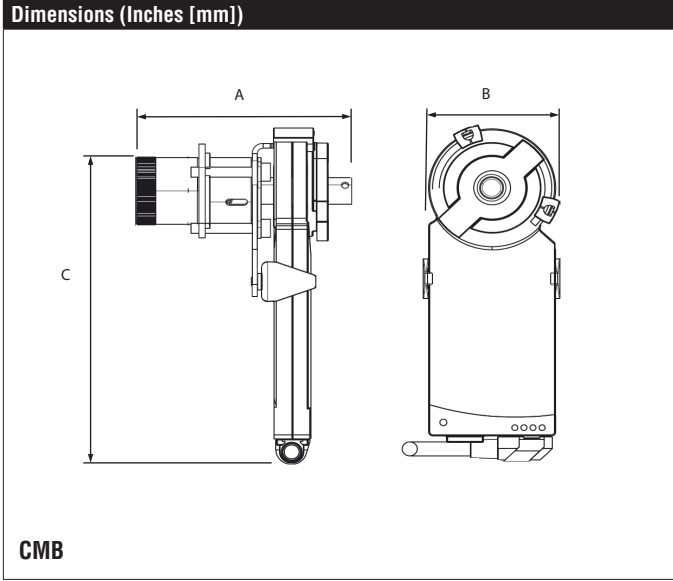
Suitable Actuators

	Non-Spring	Spring
UGSL1200	CMB	TFB(X)



A	B	C
5.5" [140]	3.3" [85]	5.5" [139]

Date created, 05/15/2019 - Subject to change. © Belimo Aircontrols (USA), Inc.



A	B	C
3.7" [95]	2.4" [60]	6.3" [159]