

# B230 Technical Data Sheet

## Stainless Steel Ball and Stem



Technical Data	
Fluid	chilled, hot water, up to 60% glycol
Flow characteristic	equal percentage
Controllable flow range	75°
Valve Size [mm]	1.25" [32]
Pipe connection	NPT female ends
Housing	Nickel-plated brass body
Ball	stainless steel
Stem	stainless steel
Stem seal	EPDM (lubricated)
Seat	PTFE
O-ring	EPDM (lubricated)
Characterised disc	No Disc (full flow)
Body Pressure Rating	600 psi
Close-off pressure $\Delta$ ps	200 psi
Cv	19
Weight	1.32 lb [0.60 kg]
Fluid Temp Range (water)	0...250°F [-18...120°C]
Leakage rate	0% for A – AB
Maintenance	maintenance-free



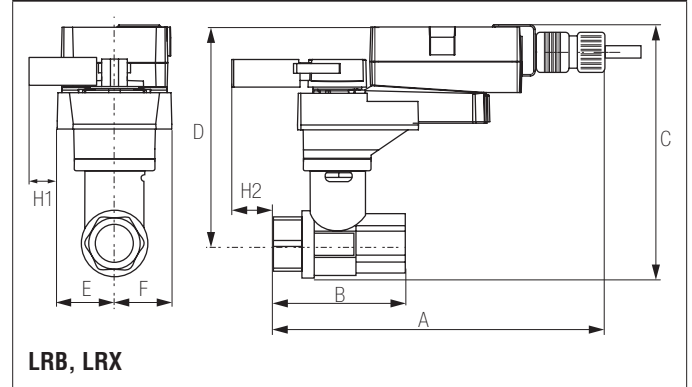
### Application

This valve is typically used in air handling units on heating or cooling coils, and fan coil unit heating or cooling coils. Some other common applications include Unit Ventilators, VAV box re-heat coils and bypass loops. This valve is suitable for use in a hydronic system with variable flow.

### Suitable Actuators

	Non-Spring	Spring
B230	LRB(X), NR	LF

### Dimensions (Inches [mm])



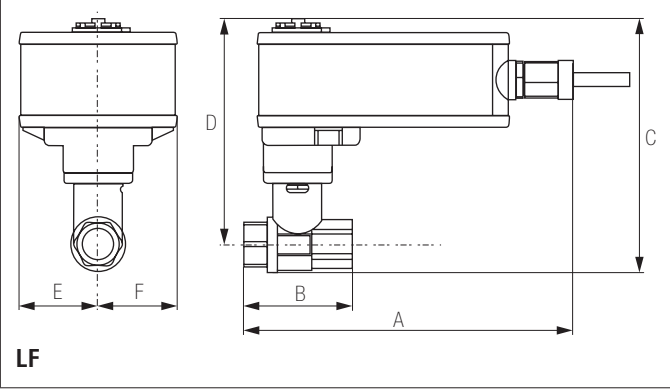
A	B	C	D	E	F	H1	H2
9.4" [239]	3.7" [95]	7.2" [184]	6.3" [161]	1.3" [33]		1.2" [30]	0.6" [15]

### Safety Notes

**WARNING:** For Belimo products sold in California: these products do or may contain chemicals which are known to the State of California to cause cancer and or birth defects or other reproductive harms. For more information see [www.p65warnings.ca.gov](http://www.p65warnings.ca.gov).

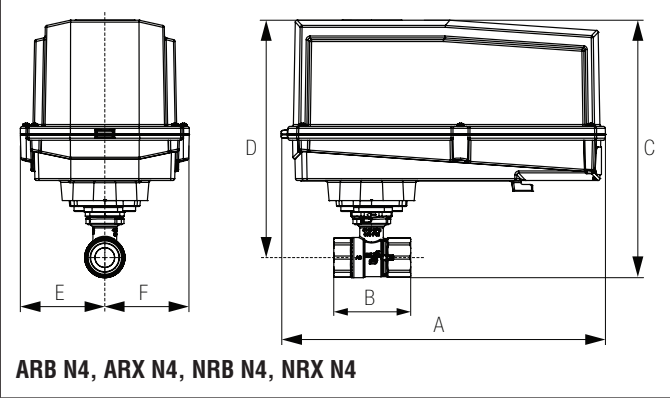
Date created, 09/11/2019 - Subject to change. © Belimo Aircontrols (USA), Inc.

**Dimensions (Inches [mm])**



A	B	C	D	E	F
8.3" [211]	3.7" [95]	6.6" [167]	5.6" [142]	1.8" [46]	

**Dimensions (Inches [mm])**



A	B	C	D	E	F
11.4" [289]	3.7" [95]	7.8" [199]	7.1" [181]	3.1" [80]	

# LRX24-PC Technical Data Sheet

## Modulating, Non-Spring Return, 24 V, 0 to 20 V Phasecut



5-year warranty



Technical Data	
Power Supply	24 VAC, ±20%, 50/60 Hz, 24 VDC, ±10%
Power consumption in operation	2.5 W
Power consumption in rest position	1.2 W
Transformer sizing	5 VA (class 2 power source)
Electrical Connection	18 GA plenum cable with 1/2" conduit connector, degree of protection NEMA 2 / IP54, 3 ft [1 m] 10 ft [3 m] and 16ft [5 m]
Overload Protection	electronic throughout 0...90° rotation
Operating Range	DC 0...20 V PhC, Phasecut control (PhC) is only for the positive part of the sine wave (max. of 10 volts)
Input Impedance	8000 Ω (50mW)
Position Feedback	DC 2...10 V, Max. 0.5 mA
Angle of rotation	90°
Direction of rotation motor	reversible with built-in switch
Position indication	Mechanically, pluggable
Manual override	external push button
Running Time (Motor)	default 90 s, variable 90 or 150 s
Ambient humidity	max. 95% r.H., non-condensing
Ambient temperature	-22...122°F [-30...50°C]
Storage temperature	-40...176°F [-40...80°C]
Degree of Protection	IP54, NEMA 2, UL Enclosure Type 2
Agency Listing	cULus acc. to UL60730-1A/-2-14, CAN/CSA E60730-1:02, CE acc. to 2004/108/EC
Noise level, motor	35 dB(A)
Maintenance	maintenance-free
Quality Standard	ISO 9001
Weight	1.5 lb [0.70 kg]

†Rated Impulse Voltage 800V, Type of Action 1, Control Pollution Degree 2.

### Safety Notes

**WARNING:** For Belimo products sold in California: these products do or may contain chemicals which are known to the State of California to cause cancer and or birth defects or other reproductive harms. For more information see [www.p65warnings.ca.gov](http://www.p65warnings.ca.gov).

### Wiring Diagrams

- 1 Provide overload protection and disconnect as required.
- 2 Actuators may be connected in parallel. Power consumption and input impedance must be observed.
- 3 Actuators may also be powered by 24 VDC.
- 5 Only connect common to negative (-) leg of control circuits.

