

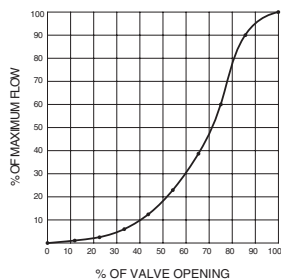
# F6125HD Technical Data Sheet

## Resilient Seat, 304 Stainless Steel Disc



Technical Data	
Fluid	chilled or hot water, up to 60% glycol
Flow characteristic	modified equal percentage
Controllable flow range	90° rotation
Valve Size [mm]	5" [125]
Pipe connection	for use with ANSI class 125/150 flanges
Housing	Ductile cast iron ASTM A536
Body finish	epoxy powder coating (blue RAL 5002)
Stem	416 stainless steel
Stem seal	EPDM (lubricated)
Seat	EPDM
Bearing	RPTFE
Disc	304 stainless steel
Body Pressure Rating	ANSI Class Consistent with 125, 232 psi CWP
ANSI Class	Consistent with 125
Number of Bolt Holes	8
Lug threads	3/4-10 UNC
Close-off pressure $\Delta$ ps	200 psi
Rangeability Sv	10:1 (for 30° to 70° range)
Maximum Velocity	12 FPS
Cv	1022
Weight	17 lb [7.5 kg]
Fluid Temp Range (water)	-22...250°F [-30...120°C]
Leakage rate	0%
Servicing	maintenance-free

### Flow/Mounting Details



### Application

Valve is designed for use in ANSI flanged piping systems to meet the needs of bi-directional high flow HVAC hydronic applications with 0% leakage. Typical applications include cooling tower bypass, primary flow change-over systems, and large air-handler coil control. Valve face-to-face dimensions comply with API 609 & MSS-SP-67, Completely assembled and tested, ready for installation.

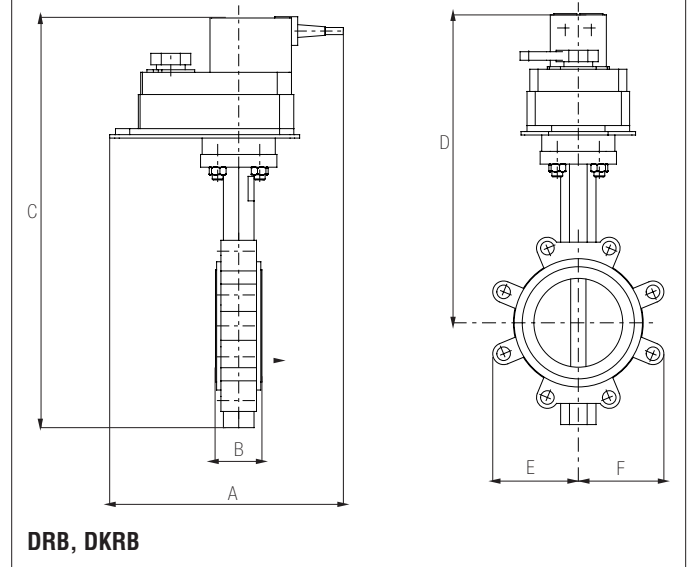
### Jobsite Note

Valve assembly should be stored in a weather protected area prior to installation. Reference the butterfly valve installation instruction for additional information.

Flow/Cv								
Cv 10°	Cv 20°	Cv 30°	Cv 40°	Cv 50°	Cv 60°	Cv 70°	Cv 80°	Cv 90°
0.5	29	61	133	237	392	620	930	1022

Suitable Actuators		
	Non-Spring	Electronic fail-safe
F6125HD	DRB(X), PRB(X)	PKRB(X)

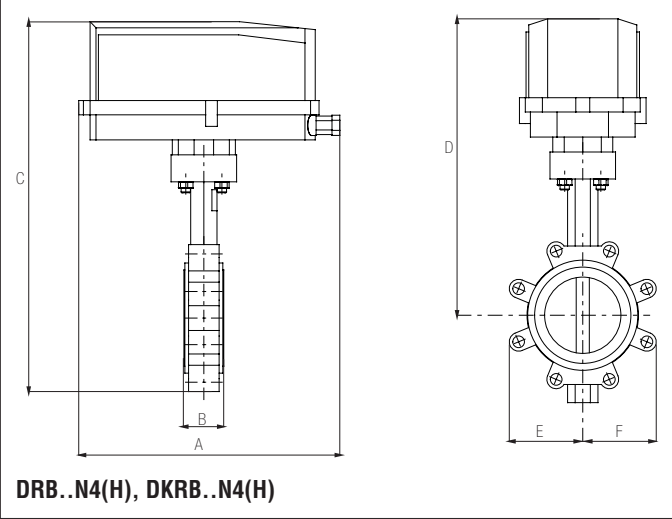
### Dimensions (Inches [mm])



A	B	C	D	E	F
11.3" [286]	2.3" [58]	17.9" [454]	13.6" [345]	4.9" [124]	4.9" [125]

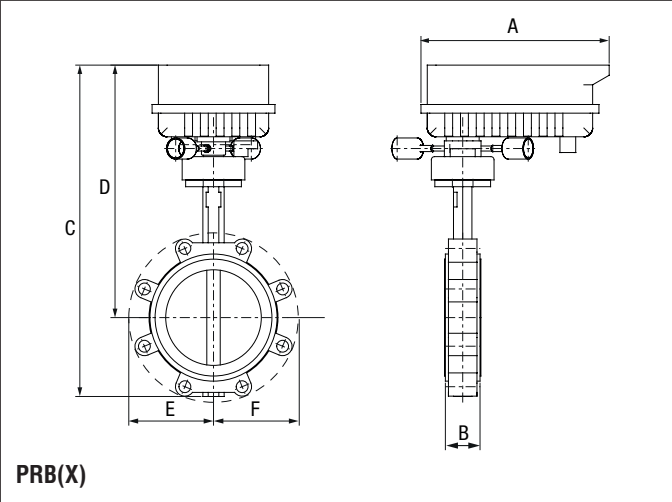
Date created, 02/27/2020 - Subject to change. © Belimo Aircontrols (USA), Inc.

**Dimensions (Inches [mm])**



A	B	C	D	E	F
14.1" [358]	2.3" [58]	20.0" [509]	15.7" [399]	4.9" [124]	4.9" [125]

**Dimensions (Inches [mm])**

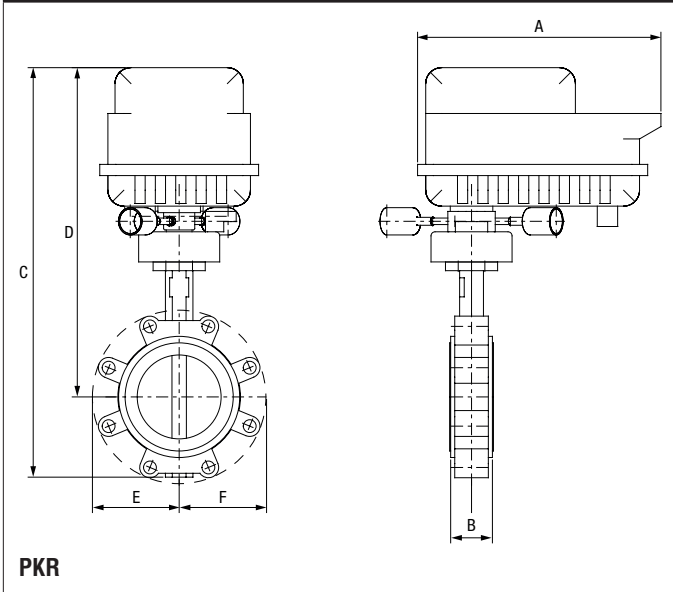


A	B	C	D	E	F
12.0" [304]	2.2" [56]	19.9" [506]	15.5" [394]	4.9" [124]	4.9" [125]

# F6125HD Technical Data Sheet

## Resilient Seat, 304 Stainless Steel Disc

### Dimensions (Inches [mm])



A	B	C	D	E	F
12.0" [304]	2.2" [56]	22.1" [562]	17.8" [453]	4.9" [124]	4.9" [125]

Date created, 02/27/2020 - Subject to change. © Belimo Aircontrols (USA), Inc.

{label}



**Technical Data**

Date created, 12/20/2019 - Subject to change. © Belimo Aircontrols (USA), Inc.

