

F6250VIC Technical Data Sheet

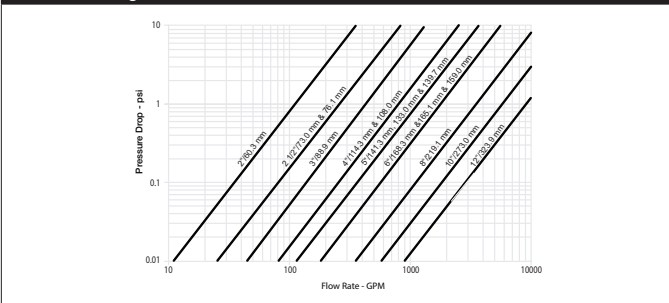
Pressure Enhanced Rubber Seat



Technical Data	
Fluid	chilled, hot water, up to 60% glycol
Flow characteristic	modified equal percentage
Controllable flow range	90° rotation
Valve Size [mm]	10" [250]
Pipe connection	grooved ANSI/AWWA (c606)
Housing	Ductile cast iron ASTM A536
Body finish	black alkyd enamel
Stem	416 stainless steel
Spindle bearing	fiberglass with TFE lining
Seat	EPDM
Disc	electroless nickel coated ductile iron
Body Pressure Rating	ANSI Class Grooved AWWA, 300 psi
ANSI Class	Grooved AWWA
Rangeability Sv	100:1
Maximum Velocity	20 FPS
Cv	5800
Weight	64 lb [29 kg]
Fluid Temp Range (water)	-22...250°F [-30...120°C]
Leakage rate	0%
Maintenance	maintenance-free

Close-off pressures are variable and actuator dependent, consult Select Pro and/or Price Guide for specifics.

Flow/Mounting Details



Application

These valves are designed to meet the needs of HVAC and commercial applications requiring bubble tight shut-off for liquids. Typical applications include chiller isolation, cooling tower isolation, change-over systems, large air handler coil control, bypass and process control applications. The large Cv values provide for an economical control valve solution for larger flow applications. Designed for use in Victaulic® piping systems.

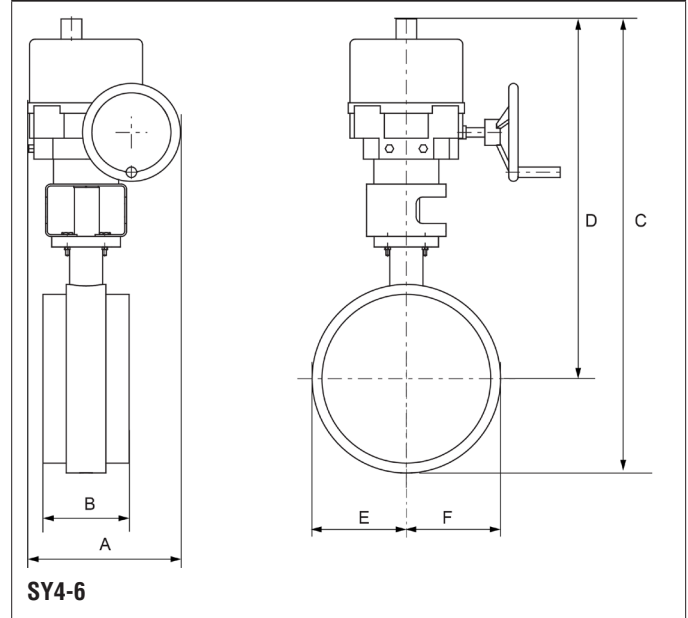
Jobsite Note

Valve assembly should be stored in a weather protected area prior to installation. Reference the butterfly valve installation instruction for additional information.

Flow/Cv					
Cv 30°	Cv 40°	Cv 50°	Cv 60°	Cv 70°	Cv 90°
350	700	1150	1800	3020	5800

Suitable Actuators	
	Non-Spring
F6250VIC	SY5

Dimensions (Inches [mm])



A	B	C	D	E	F
11.5" [293]	6.4" [162]	32.3" [820]	26.2" [665]	6.1" [156]	

Safety Notes

WARNING: For Belimo products sold in California: these products do or may contain chemicals which are known to the State of California to cause cancer and or birth defects or other reproductive harms. For more information see www.p65warnings.ca.gov.

Date created, 09/11/2019 - Subject to change. © Belimo Aircontrols (USA), Inc.

SY5-230MFT Technical Data Sheet

Modulating, Non-Spring Return, 230 V, for DC 2...10 V or 4...20 mA



2-year warranty

Application

SY Series actuators are fractional horsepower devices, and utilize full-wave power supplies. Observe wire sizing and transformer sizing requirements. Proportional models CANNOT be connected to Belimo direct coupled (AF, AM, GM...etc) actuator power supplies or any type of half-wave device. You MUST use a separate, dedicated transformer or power supply to power the SY actuator. Please do not connect other automation equipment to the dedicated SY supply source. You MUST use four wires (plus a ground) to control a proportional control SY actuator (See SY Wiring Section).

Technical Data

Power Supply	230 VAC, $\pm 10\%$, 50/60 Hz
Transformer sizing	230 VA
Current consumption	1 A
Electrical Connection	Terminal blocks
Overload Protection	thermally protected 135°C cut-out
Operating Range	DC 2...10 V (default), ,
Input Impedance	100 k Ω
Position Feedback	DC 2...10 V
Angle of rotation	90°
Torque motor	4450 in-lb [500 Nm]
Duty cycle	75%
Direction of rotation motor	reversible with built-in switch
Position indication	top mounted domed indicator
Manual override	hand wheel
Running Time (Motor)	28 s
Internal Humidity Control	resistive heating element
Ambient humidity	max. 95% r.H., non-condensing
Ambient temperature	-22...150°F [-30...65°C]
Storage temperature	-40...176°F [-40...80°C]
Degree of Protection	IP66/67, NEMA 4X, UL Enclosure Type 4X
Housing material	die cast aluminium
Gear train	high alloy steel gear sets, self locking
Agency Listing	ISO, CE, cCSAus
Noise level, motor	45 dB(A)
Maintenance	maintenance-free
Quality Standard	ISO 9001
Weight	49 lb [22 kg]
Auxiliary switch	2 x SPDT, 3 A resistive (0.5 A inductive) @ AC 250 V, one set at 10°, one set at 85°

Safety Notes

WARNING: For Belimo products sold in California: these products do or may contain chemicals which are known to the State of California to cause cancer and or birth defects or other reproductive harms. For more information see www.p65warnings.ca.gov.

Wiring Diagrams

INSTALLATION NOTES

- 60** Do not change sensitivity or dip switch setting with power applied.
- 61** Power supply Common/Neutral and Control Signal “-” wiring to a common is prohibited. Terminals 4 and 6 need to be wired separately.
- 62** Isolation relays must be used in parallel connection of multiple actuators using a common control signal inputs. The relays should be DPDT.
- 63** Isolation relays are required in parallel applications. The reason parallel applications need isolation relays is that the motor uses two sets of windings, one for each direction. When one is energized to turn the actuator in a specific direction a voltage is generated in the other due to the magnetic field created from the first. It's called back EMF. This is not an issue with one actuator because the voltage generated in the second winding isn't connected to anything so there is no flow. On parallel applications without isolation, this EMF voltage energizes the winding it is connected to on the other actuators in the system, the actuators are trying to turn in both directions at once. The EMF voltage is always less than the supply voltage due to the resistance of the windings, so while the actuator still turns in the commanded direction, the drag from the other reduces the torque output and causes overheating.

WARNING! LIVE ELECTRICAL COMPONENTS!
 During installation, testing, servicing and troubleshooting of this product, it may be necessary to work with live electrical components. Have a qualified licensed electrician or other individual who has been properly trained in handling live electrical components perform these tasks. Failure to follow all electrical safety precautions when exposed to live electrical components could result in death or serious injury.

