

Z2075QS-K Technical Data Sheet



| Technical Data | |
|---|--|
| Fluid | chilled or hot water, up to 60% glycol |
| Flow characteristic | equal percentage |
| Controllable flow range | 75° |
| Valve Size [mm] | 0.75" [20] |
| Pipe connection | sweat |
| Housing | forged brass |
| Ball | chrome plated brass |
| Stem | brass |
| Seat | PTFE |
| O-ring | EPDM (lubricated) |
| Body Pressure Rating | 360 psi |
| Maximum Allowable Operating Temperature | 212°F [100°C] * |
| Close-off pressure Δps | 75 psi |
| Cv | 9.8 |
| Weight | 0.44 lb [0.20 kg] |
| Fluid Temp Range (water) | 36...212°F [2...100°C] |
| Leakage rate | 0% |
| Servicing | maintenance-free |

* If temperature exceeds 212°F operating range due to a boiler control failure the valve will safely contain the hot water but manufacturers product warranty becomes invalid. Valve and actuator replacement is at the expense of others.

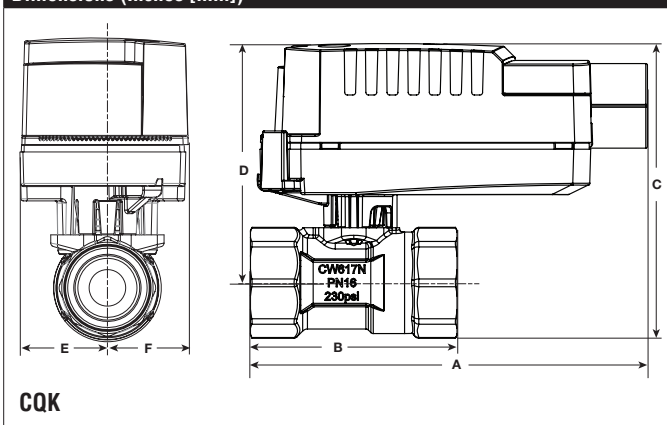
Application

The QCV zone valves are suited for large commercial buildings where higher close-off and the ability to change flow is desired. Common applications include unit ventilators, fan coil units, VAV reheat coils, fin tube casing, radiant panels and duct coils. The valve fits in space restricted areas and can be assembled without the use of tools.

Suitable Actuators

| | Non-Spring | Electronic fail-safe |
|-----------|------------|----------------------|
| Z2075QS-K | CQB | CQKB(X) |

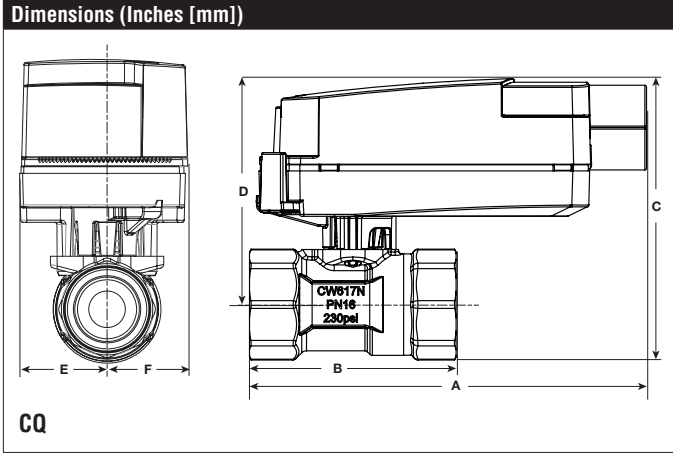
Dimensions (Inches [mm])



| A | B | C | D | E | F |
|------------|-----------|-----------|-----------|-----------|---|
| 4.5" [114] | 2.4" [60] | 3.4" [87] | 2.8" [70] | 0.9" [24] | |

Safety Notes

WARNING: This product can expose you to lead which is known to the State of California to cause cancer and reproductive harm. For more information go to www.p65warnings.ca.gov



| A | B | C | D | E | F |
|------------|-----------|-----------|-----------|-----------|-----------|
| 4.5" [114] | 2.4" [60] | 3.3" [83] | 2.6" [65] | 1.2" [30] | 1.2" [31] |

CQB24-SR-R Technical Data Sheet

Modulating, Non-Spring Return, 24 V, DC 2 V (Close) DC 10 V (Open) or 4...20 mA



5-year warranty



Technical Data

| | |
|------------------------------------|---|
| Power Supply | 24 VAC, ±20%, 50/60 Hz, 24 VDC, ±10% |
| Power consumption in operation | 0.4 W |
| Power consumption in rest position | 0.3 W |
| Transformer sizing | 1 VA (class 2 power source) |
| Electrical Connection | 18 GA plenum cable, 3 ft [1 m], with 1/2" conduit connector |
| Overload Protection | electronic throughout 0...90° rotation |
| Operating Range | 2...10 V, 4...20 mA w/ ZG-R01 (500 Ω, 1/4 W resistor) |
| Angle of rotation | 90°, adjustable with mechanical stop |
| Position indication | pointer |
| Running Time (Motor) | 75 s |
| Ambient humidity | max. 95% r.H., non-condensing |
| Ambient temperature | 35...104°F [1.7...40°C] |
| Storage temperature | -40...176°F [-40...80°C] |
| Degree of Protection | IP40, NEMA 2 |
| Housing material | UL94-5VA |
| Agency Listing | cULus acc. to UL60730-1A/-2-14, CAN/CSA E60730-1:02, CE acc. to 2014/30/EU and 2014/35/EU |
| Noise level, motor | 35 dB(A) |
| Servicing | maintenance-free |
| Quality Standard | ISO 9001 |
| Weight | 0.55 lb [0.20 kg] |

† Use flexible metal conduit. Push the listed conduit fitting device over the actuator's cable to butt against the enclosure. Screw in conduit connector. Jacket the actuators input wiring with listed flexible conduit. Properly terminate the conduit in a suitable junction box. Rated impulse Voltage 800V. Type of action 1. Control pollution degree 3.

Application

Non-Fail Safe proportional ZoneTight actuator.

Valve selection should be done in accordance with the flow parameters and system specifications.

The actuator is mounted directly to the valve without the need for tools or additional linkage.

The actuator operates in response to a 2...10 V or 4...20mA control signal.

Safety Notes

WARNING: This product can expose you to lead which is known to the State of California to cause cancer and reproductive harm. For more information go to www.p65warnings.ca.gov

Wiring Diagrams

✂ INSTALLATION NOTES

- 2 Actuators may be connected in parallel. Power consumption and input impedance must be observed.
- 3 Actuators may also be powered by 24 VDC.
- 5 Only connect common to negative (-) leg of control circuits.
- 7 A 500 Ω resistor (ZG-R01) converts the 4 to 20 mA control signal to 2 to 10 VDC.
- 18 Actuators with plenum cable do not have numbers; use color codes instead.
- Meets cULus requirements without the need of an electrical ground connection.

WARNING! LIVE ELECTRICAL COMPONENTS!
 During installation, testing, servicing and troubleshooting of this product, it may be necessary to work with live electrical components. Have a qualified licensed electrician or other individual who has been properly trained in handling live electrical components perform these tasks. Failure to follow all electrical safety precautions when exposed to live electrical components could result in death or serious injury.

