

ZONE220N-35 Technical Data Sheet



Technical Data	
Fluid	chilled or hot water, up to 50% glycol
Flow characteristic	on/off
Valve Size [mm]	0.75" [20]
Pipe connector	NPT female ends
Housing	forged brass
Housing seal	EPDM
Stem	stainless steel
Seat	EPDM
Body Pressure Rating	300 psi
Close-off pressure Δ ps	30 psi
Cv	3.5
Weight	1.32 lb [0.60 kg]
Fluid Temp Range (water)	32...212°F [0...100°C]
Leakage rate	ANSI Class III 0.1%

Application

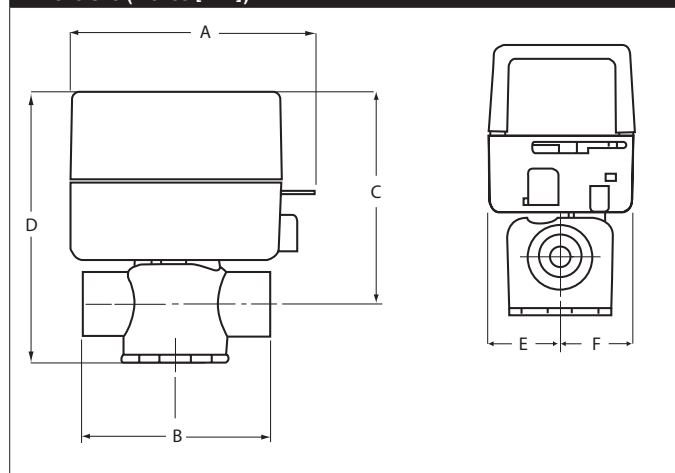
This valve is typically used on fan coil units, baseboards or other hydronic applications where fail safe operation on 2-wire control is required. This valve is suitable for use in a hydronic system with variable or constant flow.

This valve is designed to fit in compact areas where on/off or control is required using 24 VAC or 120 VAC.

Suitable Actuators

	Spring
ZONE220N-35	ZONE

Dimensions (Inches [mm])



A	B	C	D	E	F
4.0" [102]	2.8" [70]	3.5" [89]	4.4" [113]	1.2" [30]	1.2" [31]

ZONE230NO Technical Data Sheet



2-year warranty



Technical Data	
Power Supply	230 VAC, $\pm 10\%$, 50/60 Hz
Power consumption in operation	6.5 W
Transformer sizing	7 VA (class 2 power source)
Electrical Connection	6" wire leads
Ambient humidity	max. 95% r.H., non-condensing
Ambient temperature	32...104°F [0...40°C]
Storage temperature	-40...176°F [-40...80°C]
Degree of Protection	IP20, NEMA 1
Housing material	1114
Agency Listing	CE, cULus
Noise level, motor	35 dB(A)
Noise level, fail-safe	35 dB(A)
Servicing	maintenance-free
Quality Standard	ISO 9001
Weight	0.88 lb [0.40 kg]

Wiring Diagrams**✂ INSTALLATION NOTES**

Meets cULus requirements without the need of an electrical ground connection.



One built-in auxiliary switch, 1x SPST 0.4A @ 24 VAC (resistive and inductive loads).

