



WARNING!

Before replacing actuator, damper must be inspected and determined to be fully functional.

**Greenheck Dampers with ML or MS type Honeywell Motors
Replacement with Belimo FSTF, FSLF, FSNF, or FSAF*A actuators.**

Contents

.....	1
UL®	2
Code and Standard Issues.....	2
NFPA 80 (Fire) & NFPA 105 (Smoke).....	3
Local Code Approval.....	4
Cross Reference.....	5
External mount.....	7
Instructions	7
Internal mount.....	10
Special Mounting	12
Linkage mounting	14
Miscellaneous parts	16
Thermal sensor replacements – BAE165 US.....	16
Auxiliary Switches.....	17
Building Official / Fire Marshal Notification Form.....	20

Contacts:

Chris Sheehan 203 749-3112

Larry Felker 775 355-2461 (775 250-4160 Cell)

Mike Knipple 203 749-3170

Laure Pomianowski 775 355-2466

800 543-9038



WARNING!

Installer must be trained and experienced with repair of fire and smoke dampers and actuators.

UL®

In the "Marking & Application Guide, Dampers for Fire Barrier and Smoke Applications & Ceiling Dampers" April 2013 by Underwriters Laboratories Inc.®, page 6 they state:

DAMPER ACTUATORS

"... field mounting or substitution of actuators is not covered within the scope of the UL certification of the product. However, this does not necessarily preclude replacement of actuators in the field. Like any appliance, field servicing of these products is not covered under the scope of the UL certification and factory follow-up service program. As with any part of the damper, it is expected that replacement of actuators in the field be done in

Code and Standard Issues

In general, the administrative section of codes state that all mechanical and electrical systems must be kept in working order and an individual section may state that all life safety devices and systems must be operable. NFPA 80 (Fire) & NFPA 105 (Smoke) require periodic testing and repair of dampers as soon as possible after any deficiency is uncovered.

Chapter 7 IBC & IFC "Containment" Dampers	
Commissioning End of first year Every 4 years except in hospitals every 6 years	
Chapter 9 IFC "Smoke Control System" Dampers	
Dedicated	Non-dedicated
Commissioning Semi-annually	Commissioning Annually
Chapter 9 IBC & IFC Fire detection & Smoke control systems	
Dedicated	Non-dedicated
Weekly self-test	Not required

Fire & smoke dampers are appliances and field replacement of components is required when failure of any component occurs.

The Authority Having Jurisdiction (local Fire Marshal and/or Building Official) must be consulted if any blade or auxiliary switches are employed and are connected to the fire alarm system or to a Fire Fighters Smoke Control System (FSCS) panel. Retesting is required. A permit and inspection may be required since connections to an alarm system have been touched.

NFPA 80 (Fire) & NFPA 105 (Smoke)

NFPA requires damper inspection and repair of dampers.
See www.nfpa.org for Standards.

See NFPA 80 & NFPA 105 for details. The damper cleaning and examination check list here is based on them.

Damper installation shall meet code requirements. Fire stopping and drywall integrity shall be confirmed. Damper blades shall be in plane of wall. Duct shall be fall away with no fasteners connected to damper sleeve.

- a. Dampers and ducts shall be cleaned of all foreign debris and dust build-up.
- b. All exposed moving parts of the damper shall be dry lubricated as required by the manufacturer. Do not use oil as it draws dirt.
- c. Damper shall be examined without defective old motor or new actuator to determine:
 - i. The damper shall fully close from the open position.
 - ii. Damper shall fully open from the closed position.
 - iii. There are no obstructions to the operation of the damper. The damper shall not be blocked from closure in any way due to rusted, bent, misaligned, or damaged frame or blades. The damper shall not have defective hinges, side &/or blade seals, or other moving parts. The damper frame shall not be penetrated by any foreign objects that would affect operation.
- d. If the damper is equipped with a fusible link, the link shall be removed for testing to ensure full closure and lock-in-place if so equipped. If the link is damaged or painted, it shall be replaced with a link of the same size, temperature, and load rating.
- e. The fusible link shall be reinstalled after testing is complete.

After installation and wiring of new actuator it shall be tested.

- a. The checklist may be customized using material here and in NFPA Standards. Multiple geometric configurations of springs, fusible link, thermal sensor(s), and actuation are possible. Confirm with AHJ if any additional requirements exist.
- b. Electric thermal sensors, if present, must be tested and replaced if defective.
- c. The test shall be conducted with normal HVAC airflow.
- d. When equipped with smoke detection activation, the smoke detector shall be activated and damper operation observed.

Test voltage input to actuators and repair as necessary if voltage is not correct. Old breakers often deliver below 115V and failed actuators may be due to power supply problems.

Local Code Approval

While it is not detailed in codes, the following rules should be followed for selecting Belimo actuators for replacement:

Check the technical specifications to ensure an “equal or better” actuator is used.

- **Temperature** – the replacement actuator shall have been UL555S tested at the same or better temperature as the original actuator. 250°F or 350°F are standard.
- **Time** – the replacement actuator shall drive open and spring closed at a speed equal or faster than presently required by codes. (The AHJ may grant an exception and “grandfather” slower actuators where the original actuator was slower.)
- **Torque** – replacement actuator shall have equal or greater torque than the failed actuator.
- **Voltage** – replacement actuator shall have the same voltage rating as the original.
- **Amperage** – the replacement actuator(s) shall not draw more amperage than the original(s) and cause the total connected amp draw on a circuit breaker to be greater than allowed by electrical code.
- **Final Testing** – actuated damper and associated devices shall be tested for proper operation. See Acceptance testing details below.

(Mnemonic device: TTT-VAT)



WARNING!

In all cases, installation must comply with any and all local electrical and life safety codes. Operation of the system after installation must be performed to verify proper damper cycling. Final checkout requires verifying correct function.



WARNING!

Note that where any fire alarm wiring is touched, the fire department must be informed.

For the Air Movement and Control Association damper maintenance manual go to:
http://www.amca.org/publications/damper_maintenance.aspx

Cross Reference

For greater detail see www.belimo.us/firesmoke RETROFIT or download from https://www.belimo.us/mam/americas/technical_documents/pdf-web/fire_and_smoke_doc/fire_smoke_competitive_replacement_data_reference.pdf

Honeywell	Voltage	Control	Torque	Aux	Replacement	
ML4105A1000	120 VAC	On/Off	30		FSLF120 US	*
ML4105B1009	120 VAC	On/Off	30		FSLF120 US	*
ML4105C1008	230 VAC	On/Off	30		FSLF230 US	*
ML4105D1007	230 VAC	On/Off	30		FSLF230 US	*
ML4115A1009	120 VAC	On/Off	30		FSLF120 US	*
ML4115A1017	120 VAC	On/Off	30		FSLF120 US	*
ML4115B1008	120 VAC	On/Off	30		FSLF120 US	*
ML4115B1016	120 VAC	On/Off	30		FSLF120 US	*
ML4115C1007	230 VAC	On/Off	30		FSLF230 US	*
ML4115C1015	230 VAC	On/Off	30		FSLF230 US	*
ML4115D1006	230 VAC	On/Off	30		FSLF230 US	*
ML4115D1014	230 VAC	On/Off	30		FSLF230 US	*
ML4115H1002	120 VAC	On/Off	30		FSLF120 US	*
ML4115J1019	120 VAC	On/Off	30		FSLF120 US	*
ML4202F1000	120 VAC	On/Off	20		FSLF120 US	*
ML4202F1000	120VAC	On/Off	20		FSLF120 US	*
ML4302F1008	120 VAC	On/Off	20		FSLF120 US	*
ML8105A1006	24 VAC	On/Off	30		FSLF24 US	*
ML8105B1005	24 VAC	On/Off	30		FSLF24 US	*
ML8115A1005	24 VAC	On/Off	30		FSLF24 US	*
ML8115A1013	24 VAC	On/Off	30		FSLF24 US	*
ML8115B1004	24 VAC	On/Off	30		FSLF24 US	*
ML8115B1012	24 VAC	On/Off	30		FSLF24 US	*
ML8115H	24 VAC	On/Off	30		FSLF24 US	*
ML8115J	24 VAC	On/Off	30		FSLF24 US	*
ML8202	24 VAC	On/Off	20		FSLF24 US	*
ML8302	24 VAC	On/Off	20		FSLF24 US	*
MS4104F1010	120 VAC	On/Off	30		FSLF120 US	*
MS4104F1210	120 VAC	On/Off	30	2	FSLF120-S US	*
MS4109F1010	120 VAC	On/Off	80		FSNF120 US	
MS4109F1210	120 VAC	On/Off	80	2	FSNF120-S	
MS4120F1006	120 VAC	On/Off	175		FSAFA120	
MS4120F1204	120 VAC	On/Off	175	2	FSAF120A-S	
MS4209F1007	120 VAC	On/Off	80		FSNF120 US	
MS4309F1005	120 VAC	On/Off	80		FSNF120 US	

MS4604F1010	230 VAC	On/Off	30		FSLF230	*
MS4604F1210	230 VAC	On/Off	30	2	FSLF230-S	*
MS4609F1010	230 VAC	On/Off	80		FSNF230	
MS4609F1210	230 VAC	On/Off	80	2	FSNF230-S	
MS4620F1005	230 VAC	On/Off	175		FSAF230A	
MS4620F1203	230 VAC	On/Off	175	2	FSAF230A-S	
MS4709F1014	230 VAC	On/Off	80		FSNF230 US	
MS4809F1012	230 VAC	On/Off	80		FSNF230 US	
MS7520A2015	24 VAC	2-10V, 4-20mA	175		FSAFB24-SR US	
MS8104F1010	24 VAC	On/Off	30		FSLF24	*
MS8104F1210	24 VAC	On/Off	30		FSLF24	*
MS8109F1010	24 VAC	On/Off	80		FSNF24	
MS8109F1210	24 VAC	On/Off	80	2	FSNF24-S	
MS8120F1002	24 VAC	On/Off	175		FSAF24A	
MS8120F1200	24 VAC	On/Off	175	2	FSAF24A-S	
MS8209F1003	24 VAC	On/Off	80		FSNF24 US	
MS8309F1001	24 VAC	On/Off	80		FSNF24 US	
S20230-F	230 VAC	On/Off	175		FSAF230A	
S20230-F-SW2	230 VAC	On/Off	175	2	FSAF230A-S	
S2024-F	24 VAC	On/Off	175		FSAF24A	
S2024-F-SW2	24 VAC	On/Off	175	2	FSAF24A-S	
SPH2 Aux Switch						**
32003532-002 Aux Switch						**

* Use FSNF series if damper is > 4 sq.ft.
 ** Use -S model of proper voltage.

Nominal sq.ft. per UL555S testing.	Temp	Actuator	
<4	350°F	FSLF	36" w x 24" h also.
<12	350°F	FSNF	Multisections also.
<16	250°F	FSNF	Multisections also.
<18	350°F	FSAF*A	Multisections also.

The FSTF series actuators were introduced in 2013. They are 18 in-lb and designed for under 1.5 sq.ft. of fire and smoke damper. Use on larger dampers only when replacing an existing FSTF on a fire and smoke damper.

The FSLF is recommended for small dampers.

Belimo actuators pass UL555S at the same damper sizes as the Honeywell.	NOTE. Although an actuator may operate a larger sized damper use the UL listed sizing. Call for assistance.
---	---

External mount

On earlier models, Greenheck used a two spring approach – external for the actuator and one on the jackshaft for the fire function. This makes replacement straightforward. Remove old motor, bracket, spring and nuts and bolts. Install Belimo per instructions below or add a plate to mount the Belimo anti-rotation strap.



Typical Greenheck damper with externally direct coupled HW motor. Bracket is shown below with Belimo anti-rotation strap extension mounted.

Instructions

Honeywell ML4105, ML4115, MS4209 series

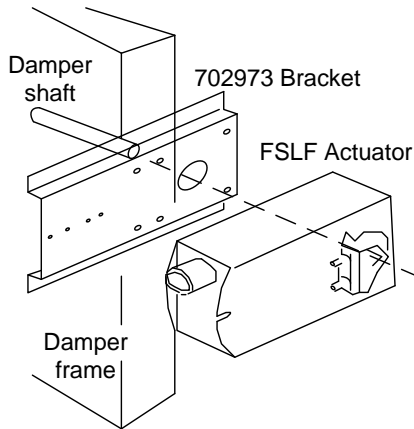
Disconnect power, flex to motor, and tag wires. See wiring below.
Loosen shaft connection and remove motor.

Place Belimo FSxx onto shaft and measure for location of anti-rotation strap.

Install flat 16ga or heavier plate (4X4 electrical plate works well) as support bracket if needed.

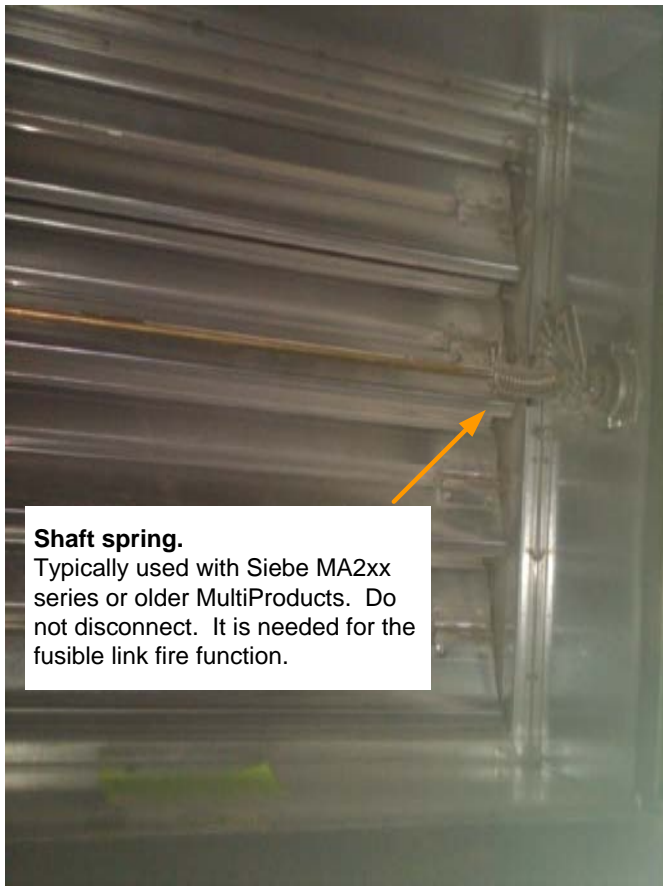
Screw anti-rotation strap onto support. Mount actuator with damper full closed and tighten clamp.

Wire per drawings in Wiring section below. Typically only 2 wires are disconnected and rewired. Note Belimo needs a ground for 120V models.



In rare cases, a bracket may be needed. It is available from Greenheck to mount to their outboard bearing bracket. Install bracket if needed.

Mount Belimo direct coupled using anti-rotation strap on sleeve if space exists or use holes in bracket.



Shaft spring.
Typically used with Siebe MA2xx series or older MultiProducts. Do not disconnect. It is needed for the fusible link fire function.

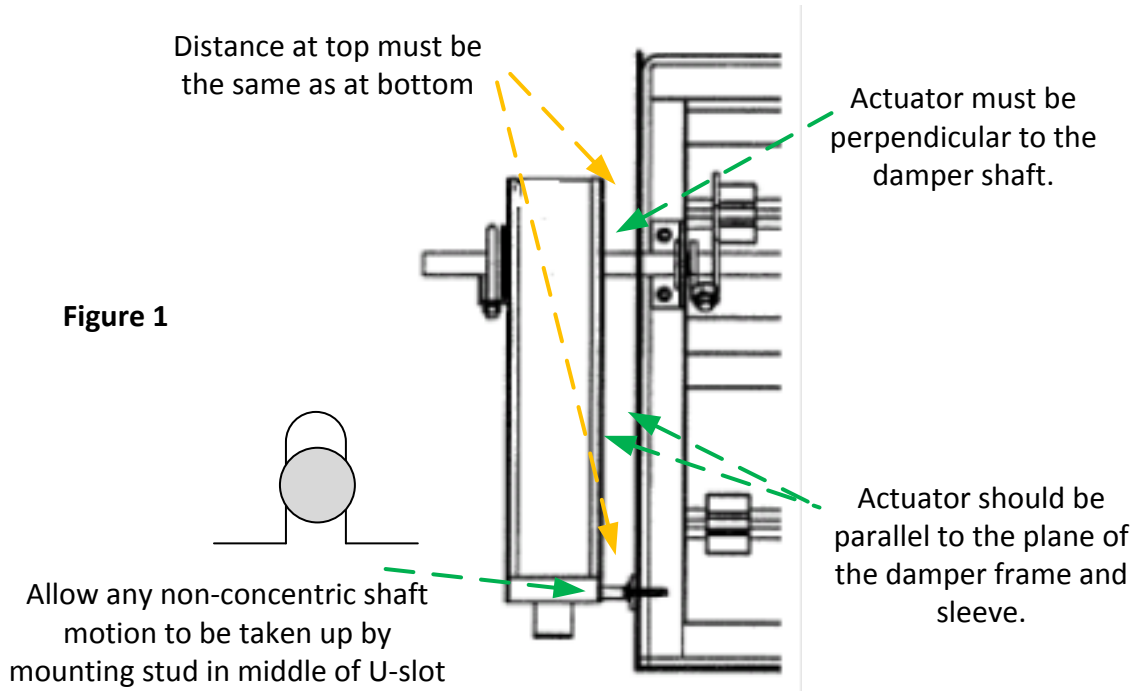
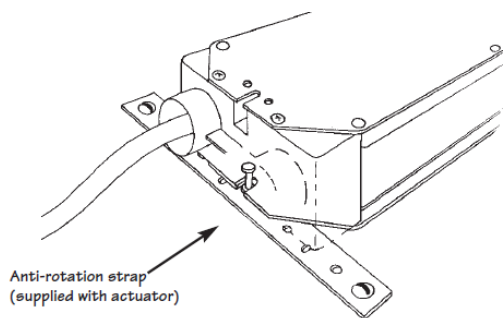
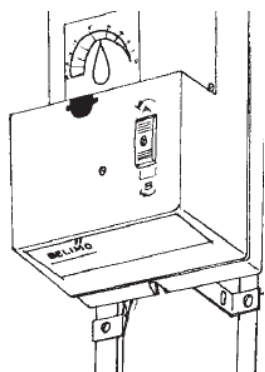


Figure 1



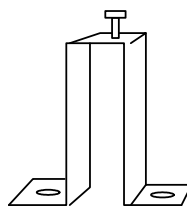
Note how the pin of the anti-rotation strap is mounted in middle of actuator U-slot.

Figure 2



This is acceptable as long as mechanically solid.

Figure 3



As long as it is mechanically solid, the anti-rotation strap may be bent to fit height.

Internal mount

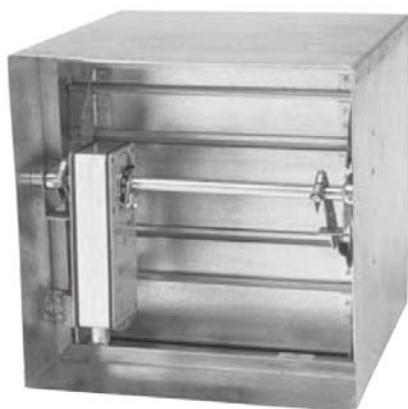
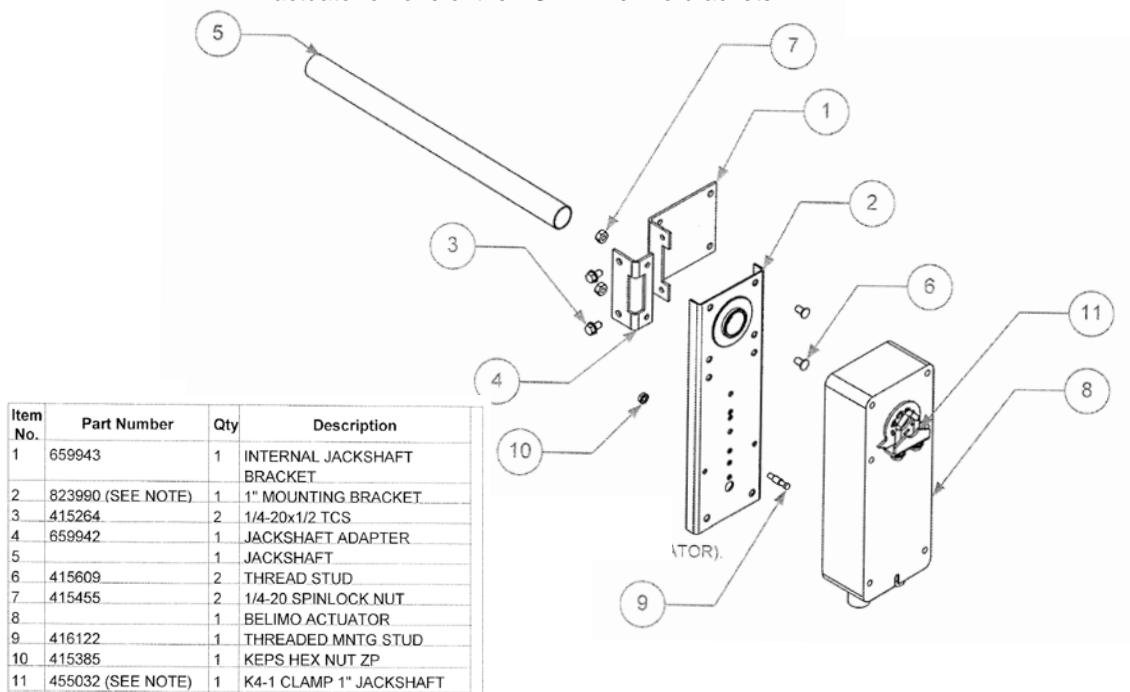
All Internal mounts

Jackshaft may have to be disassembled from within the ducts. Cut larger access door if necessary and replace with code compliant door.

Contact Belimo and send photograph of application for identification and specific instructions.

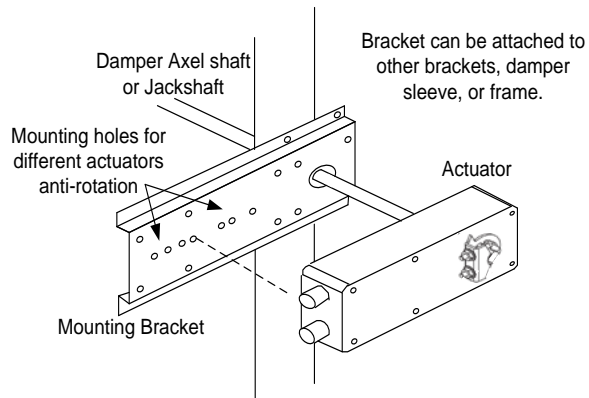
Internal Mount

For replacement, jackshaft must be removed and actuator slid over shaft. For non-Fire & Smoke, a linkage can be used by mounting the actuator on one of the ZG-xxx Belimo brackets.



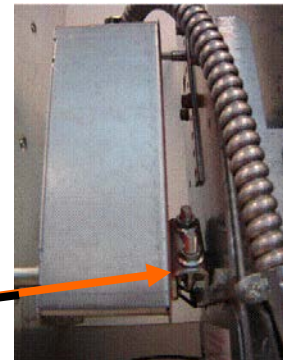
FSNF mounted on the damper shaft. Two sheet metal screws hold the anti-rotation strap. Two nuts secure cold-weld clamp onto shaft.

651815 Bracket may be used. Belimo fits on same bracket.



For short shaft mounting, the ZG-LMSA-1/2-5 can be used. Alternately, the clamp can be installed between the actuator and sheet metal.

Clamp



FSLF mounted on the damper shaft. Two sheet metal screws hold the anti-rotation strap. Two nuts secure cold-weld clamp onto shaft.

Note that actuator floats freely. Clamp cold welds when teeth dig into the damper shaft and the anti-rotation strap stud allows the actuator to move if shaft is not perfectly concentric. Rigid mounting by jamming the stud into the U-slot of actuator is NOT usually best.



USE CAUTION!

Spring is under high torsion and may cause serious injury! If any external springs are present, exercise caution – wear face and hand protection.

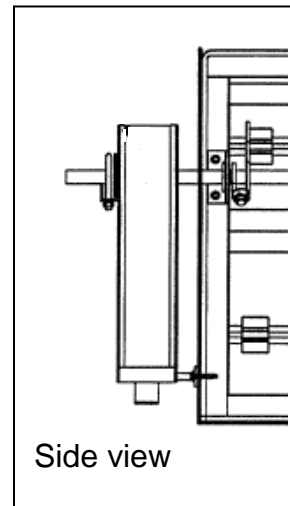


Read Data Sheet provided in box with each actuator for specific wiring details.



FSNF mounted on the damper shaft. Two screws hold the anti-rotation strap. Two nuts secure cold-weld clamp onto shaft.

FSAF mounts the same.



Side view

Special Mounting

Depending on the geometry, any number of mounting arrangements are correct. The most common is shown above left.

Alternately, the anti-rotation strap can be attached to any Belimo linkage, an electrical J-box cover plate, or to U-channel.

It is important to remember that the ducts are fall-away. The actuator mounting cannot interfere with the ability of the duct to fall from the damper. The damper must continue to protect the wall.

See Belimo Mounting Methods Guide for more mounting drawings. Link below on page 19.

FSTF

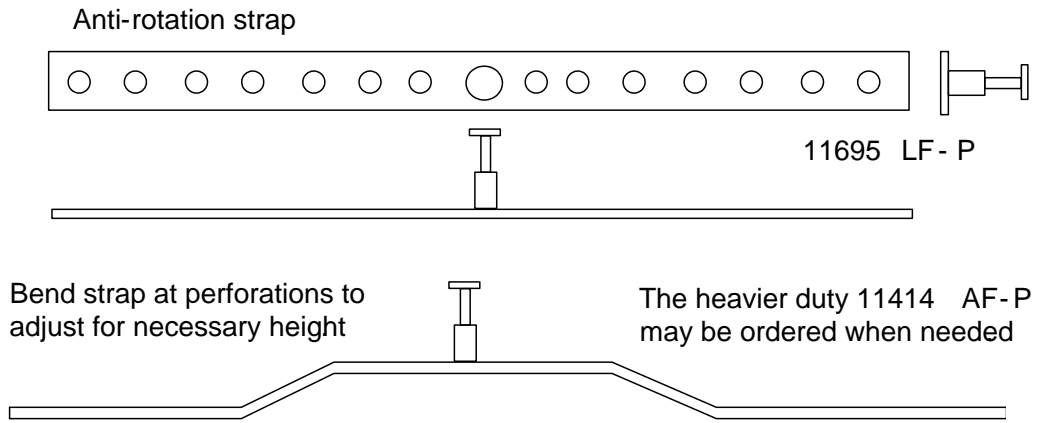
Best solution for small dampers where the HW bracket has been hung out into the air is to use an FSTF actuator



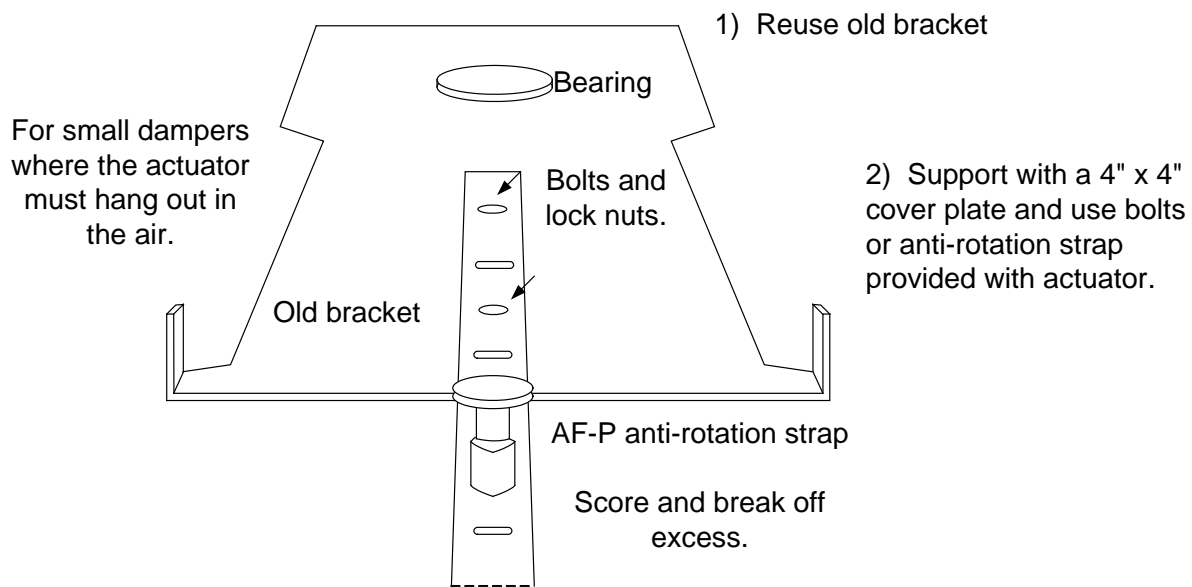
Mounting

The Belimo Anti-rotation strap may be attached to the HW bracket or to the sleeve. Duct must be able to fall away; do not attach so that this is prevented. A 4" x 4" or larger electrical plate will serve as an anti-rotation mounting plate if old actuator is hung over free air.

Disconnect wiring and tag. Loosen round adaptor and lift motor off shaft. Mount Belimo with damper fully closed. Use one of anti-rotation attachment methods shown below. Wire and test.



Best to mount the Belimo anti-rotation strap perpendicular to the actuator to allow for movement on non-concentric shaft.



WARNING!

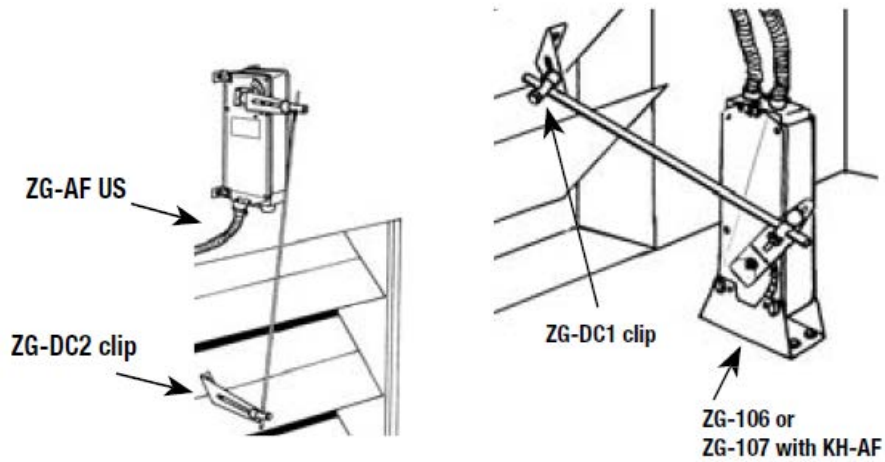
Actuator anti-rotation strap may not be screwed to the duct. It must attach to either the sleeve or to the mounting bracket. The duct must be able to fall away from the damper in case of ceiling collapse in a fire.

Linkage mounting

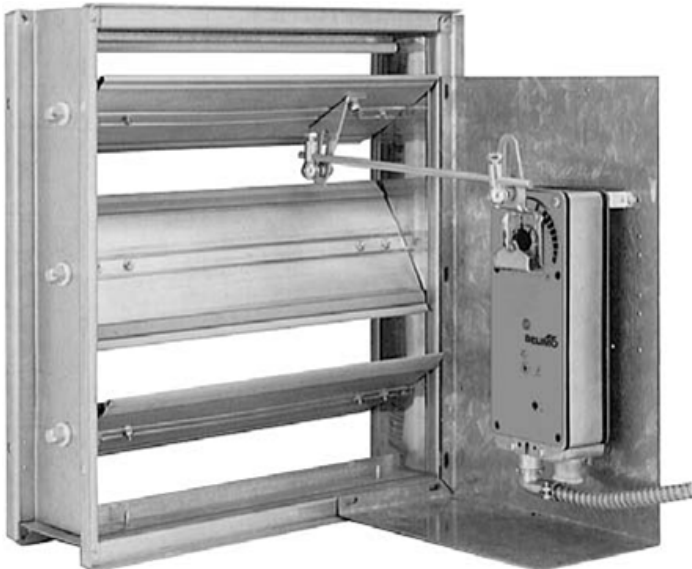


WARNING!

Read Data Sheet provided in box with each actuator for specific wiring details.



Possible alternate arrangements for damper clip. (FSNF, FSAF actuators shown.)



Belimo linkage kits:

https://www.belimo.com/pim/mam/americas/technical_documents/data_sheets/man-air-acc/Mechanical_Accessories.pdf

Mounting Methods Guide:

https://www.belimo.us/mam/americas/technical_documents/pdf-web/guides/mounting_methods.pdf

Miscellaneous parts

Should they be needed, Belimo carries a range of parts. Ball joints and 5/16" rods are available from most distributors.



KH12

Where the crank arm on the jackshaft is broken or not of the type needed, the KH12 fits over the shaft without removing it. Zinc plated steel. Slot is for the KG10A ball joint. V-bolt fits 3/4" to 1" (20 to 25mm) shafts.



KH8

KH-6. Zinc plated steel. For shafts 3/8" to 11/16" Uses KG6 ball joint. Slot width 1/4"



KG8 3/8"

KH-8. Zinc plated steel. For shafts 3/8" to 11/16" Uses KG8 (90 degree) or KG10A ball joint. Slot width 21/64"



KG6, KG10A 1/4"

SH8 (not shown – see picture page 9). Push-rod for KG6 & KG8 ball joints. 5/16" 36" long Use SH10 3/8" rods for GMB and dual FSAF or FSNF linkages. 5/16" can bend under heavy loads.

ZG-DC1



ZG-DC1

Damper blade clip and ball joints for blades typically 3.5" in width. Typically the actuator or rod to shaft is in front of blade.

ZG-DC2



ZG-DC2

Damper blade clip and ball joints – typically used for 6" wide blade control dampers. Typically the actuator or rod to shaft is above or below the damper.

Thermal sensor replacements – BAE165 US



Belimo BAE165 US

Where existing sensor is defective or one must be added, the 165°F primary sensor may be used. Original equipment is recommended although not strictly required by code. UL does not regulate replacement or repair. See NFPA 80 or NFPA 105.

Auxiliary Switches

Damper blade switch assembly



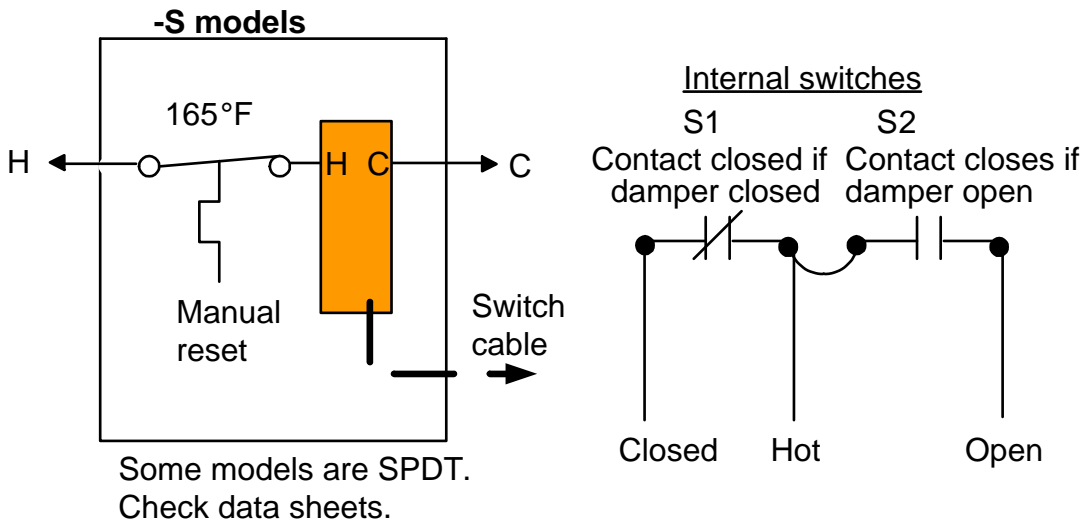
Externally mounted auxiliary switches



Where the original switches for signaling position to a Fire Fighters' Smoke Control Panel or to local indicator lights must be replaced or are inoperative the Belimo -S model actuators may be used or a S2A-F may be installed.

Belimo S2A-F

FSLF (mid 2014ff), FSNF, and FSAF actuators can use the add on switch package.



Wiring



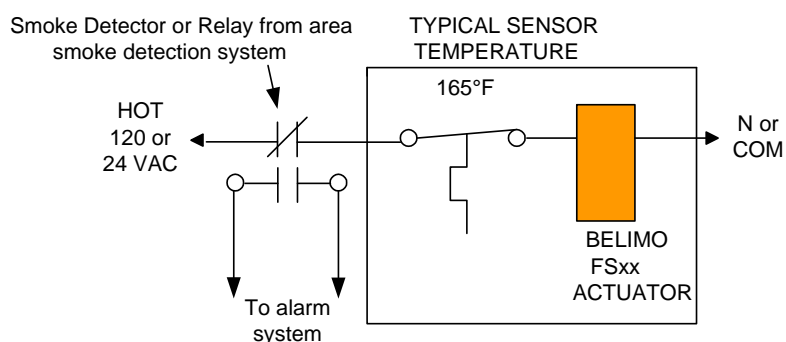
WARNING!

Disconnect and lock out power before starting to disconnect old motor.

There are three wiring schemes that describe all applications. While the geometry of the wire runs may vary, the connections are straightforward.

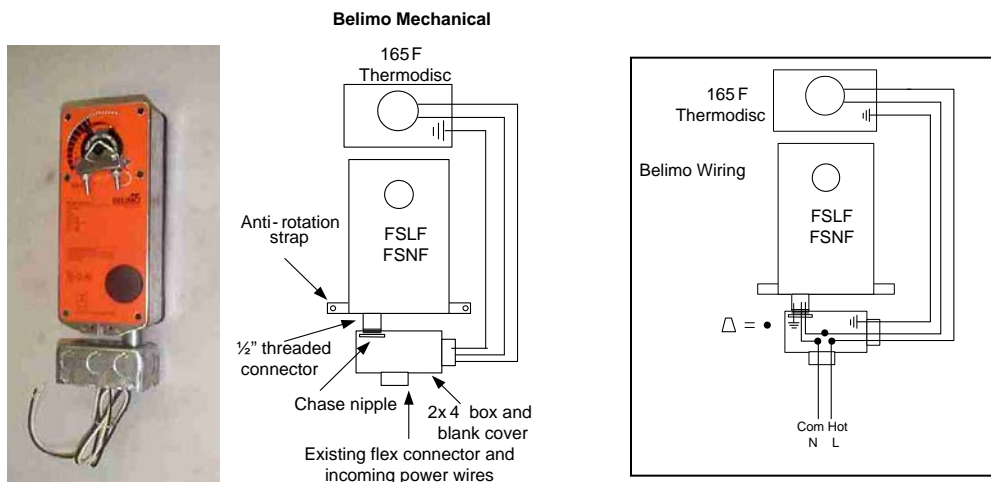
TYPICAL FIRE - SMOKE COMBINATION DAMPER WIRING

Electric thermal disc



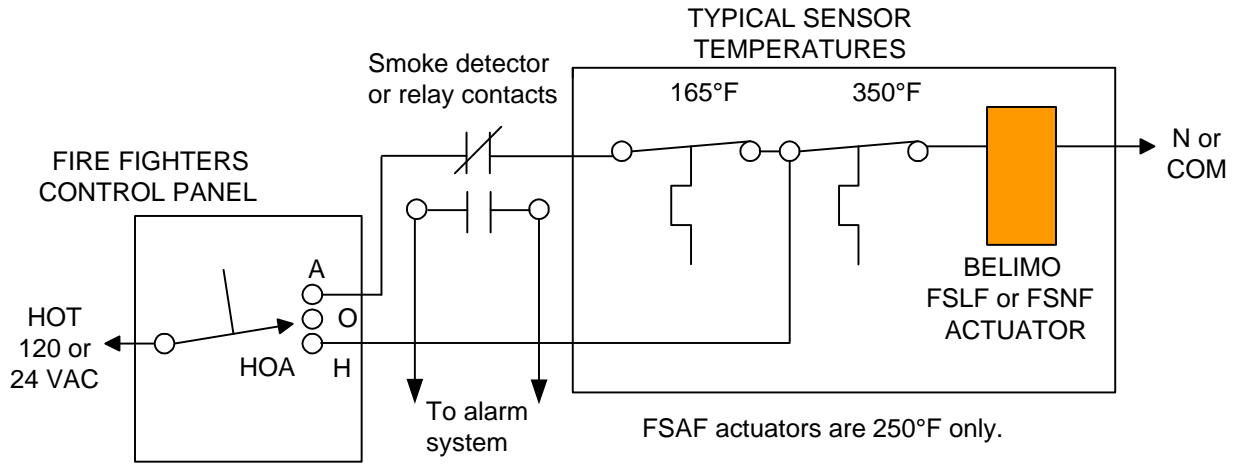
Regardless of the wiring routes used, the drawing above shows the wiring necessary for a UL555S damper and actuator. Use it as a basis for any of the other wiring schematics. Note that the alarm connections are not touched when replacing an actuator. This is a major concern for Fire Marshals.

Honeywell with actuator wiring compartment used for junctions.



The wiring below is commonly connected to alarm or smoke control electronic modules in modern systems. The functional sequence is the same.

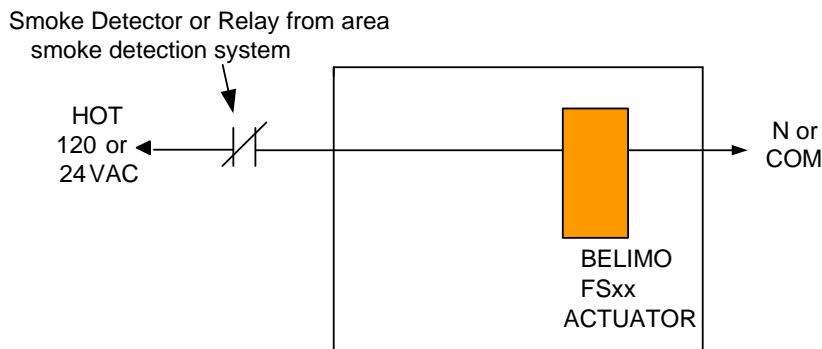
TYPICAL REOPENABLE DAMPER with FSCS



Retrofits of Honeywell motors on various dampers exist. Where the old motor had no internal spring, an external spring closed the damper for smoke and an internal spring closed the damper for fire. The drawing below shows the wiring. In any event, if any questions exist, call Belimo.

Fusible link DAMPER ACTUATOR WIRING

Where fusible links and dual springs are present, this is the normal wiring. No electrical wiring to thermal sensor is present.



Investigate the cause of the early HW failure. In some cases the motor may have been rotating against both its internal spring and that of the damper. Old springs that over-rod the motor spring only – NOT THE FUSIBLE LINK SPRING – should have been removed or disabled. The replacement was performed incorrectly.

Building Official / Fire Marshal Notification Form

Retain this portion of checklist at premises for Fire Marshal inspection. See local AHJ or Fire Marshal for other information and requirements regarding conformance with NFPA 80 & NFPA 105.

Test Checklist (Smoke dampers do not have sensors. Dual spring dampers do not have electrical thermal sensors. Only steps a & b apply.) Inspect damper per NFPA80 and NFPA105.

1. Single Sensor Combination Damper

- a. Open smoke detector or relay wire or contact to cut power. *Damper springs closed.*
- b. Reconnect power. *Damper drives open.*
- c. Open thermal sensor using heat gun. *Damper springs closed.*
- d. Press thermal sensor manual reset. *Damper drives open.*

Repeat 3 times to ensure operation. This imitates the UL555S test.

2. Reopenable Two Sensor Fire-Smoke Combination Damper

(Since this system involves the Firefighters' Smoke Control System, inform fire department.)

With FSCS switch in Auto position:

- a. Disconnect power from smoke detector or relay contacts. *Actuator springs damper closed.*
- b. Reconnect power. *Actuator drives damper open.*
- c. Trip thermal sensor. *Actuator springs damper fully closed.*
- d. Press manual reset. *Actuator drives damper open.*

Test FSCS switch functions:

- a. Move FSCS switch to Off position. *Actuator springs damper fully closed.*
- b. Move FSCS switch to Hand position. *Actuator drives damper open.*
- c. Trip secondary (higher temperature) thermal sensor. *Actuator springs damper fully closed.*
- d. Press manual reset of secondary sensor. *Actuator drives damper open.*

Move FSCS switch back to Auto position:

- a. Actuator springs damper closed if Primary sensor is still open.
- b. Actuator stays open if Primary sensor has re-closed.

When completed, ensure sensors are reset and smoke detector is in normal state and FSCS switch is in Auto. Damper is normally Open; check sequence of operation.

Damper Numbers or Location Identifying Numbers.....

Date.....-.....-.....

Contractor.....

Service Technician (Print).....

Service Technician (Signed).....

Phone Number (.....).....

Notes.....

.....

.....