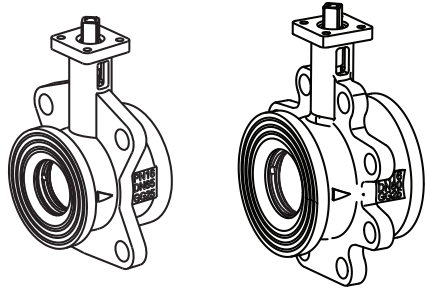


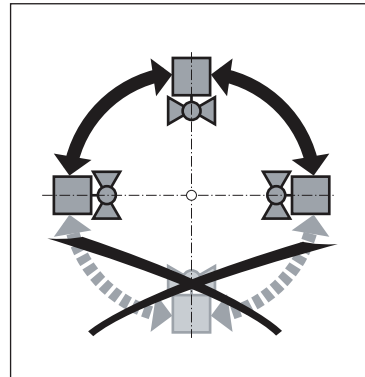
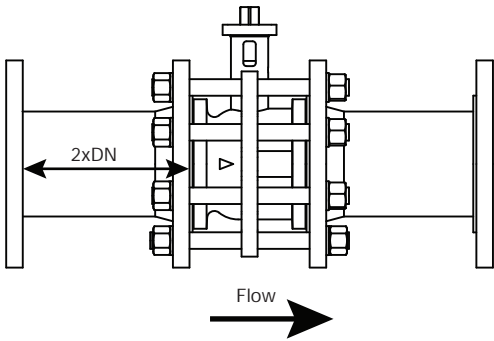
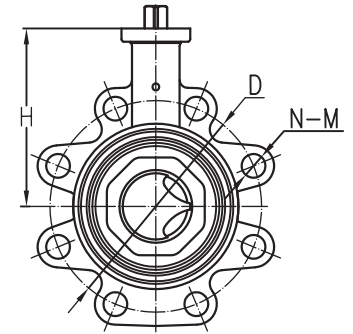
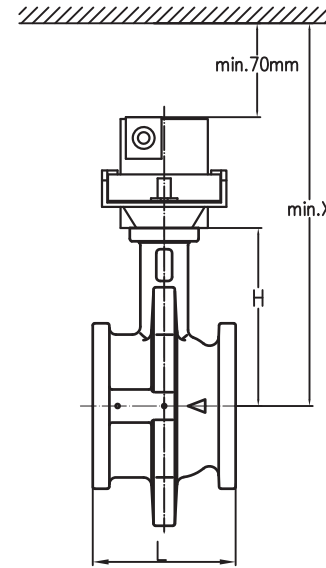
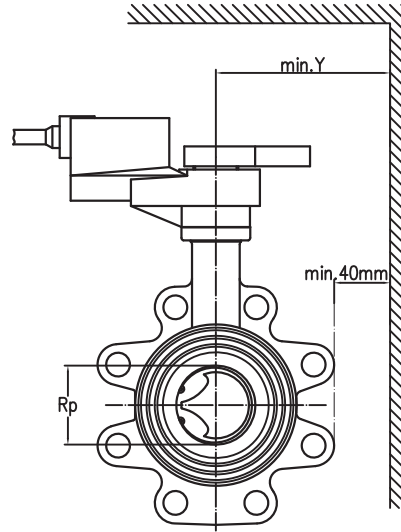
R664AO


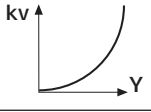
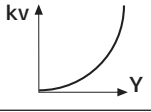
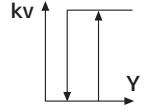
R679AO



R665AO

R680AO



		DN		Dimensions [mm]							[m <sup>3</sup> /h]
		mm	in	L	H	D	N	M	X	Y	Kvs
R664AO		65	2.5"	93	126	∅145	4	∅18	285	176	63
R679AO		80	3"	108	134.5	∅160	8	∅18	293	176	100
R665AO		65	2.5"	93	126	∅145	4	∅18	285	176	120
R680AO		80	3"	108	134.5	∅160	8	∅18	293	176	180

It is a general recommendation to keep min 2xDN of straight piping distance before the CCV installation in the pipe, to perform the best control function. No requirements for position after the valve.

