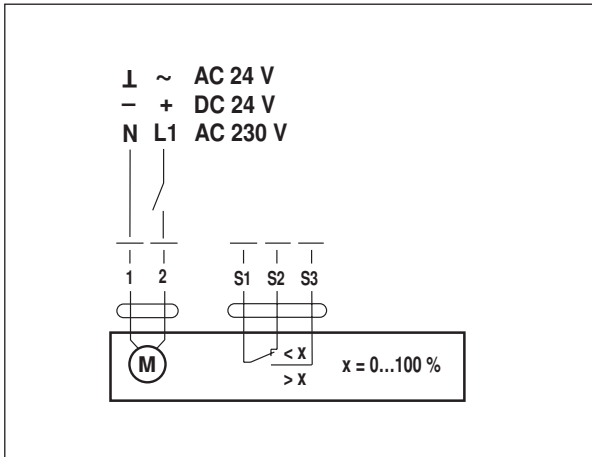
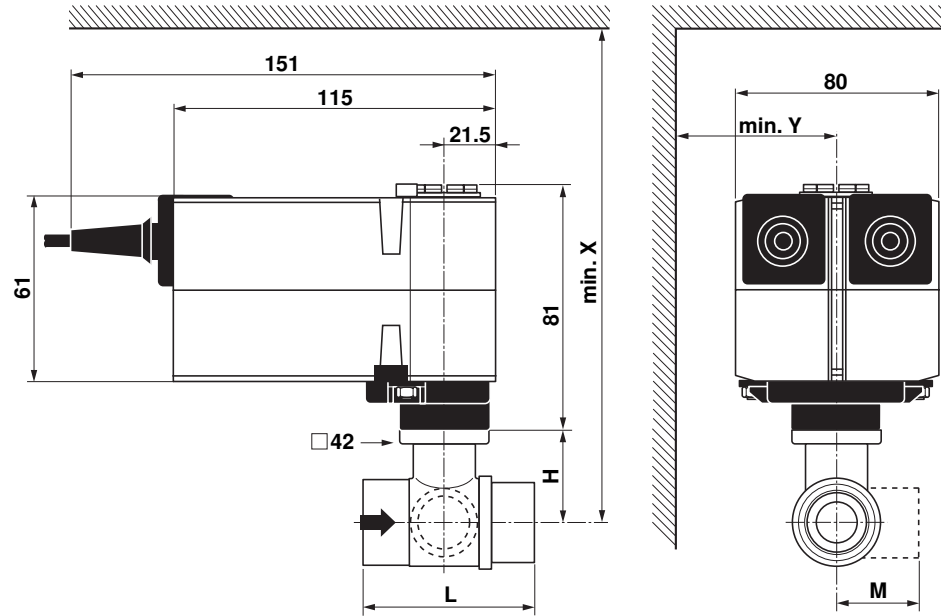




TRFD..S (-O) (-T)  
TRF..S (-O) (-T)

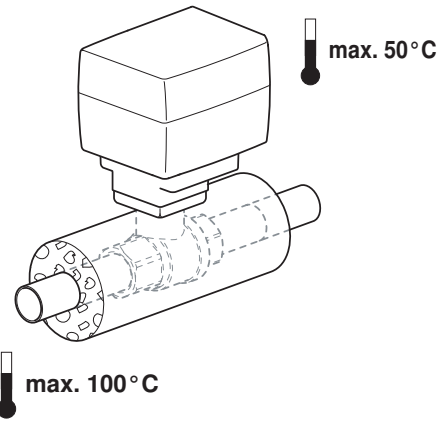
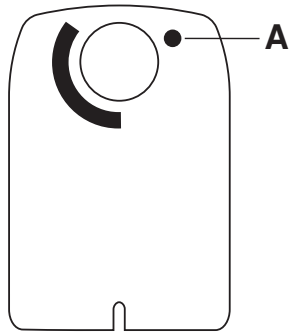
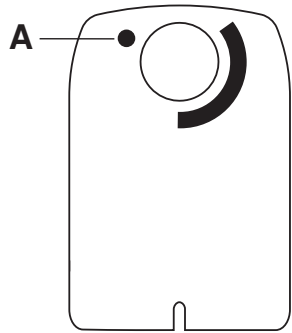
70330-00001.A



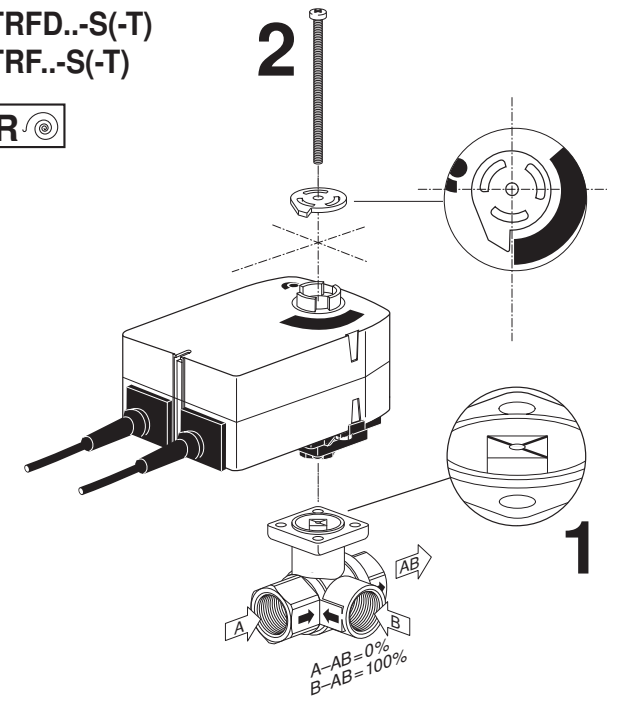
		DN		Rp	G	PN	mm							
		mm	"							TRFD..S(-O)(-T)		TRF..S(-O)(-T)		
				"	"		L	H	M	X	Y	X	Y	
<b>R2..K</b>	<b>R3..K</b>	10	3/8	3/8			52	35	28	180	80			
<b>R4..K</b>	<b>R5..K</b>	10	3/8		3/4		69	31.5	34	180	80			
<b>R2..</b>	<b>R3..</b>	15	1/2	1/2			67	45	39			190	80	
<b>R4..</b>	<b>R5..</b>	15	1/2		1		74	44	38			190	80	
<b>R6..R</b>	<b>R7..R</b>	15	1/2			6	101.5	45	73			190	80	

TRFD..-S(-T)  
TRF..-S(-T)

TRFD..-S-O(-T)  
TRF..-S-O(-T)



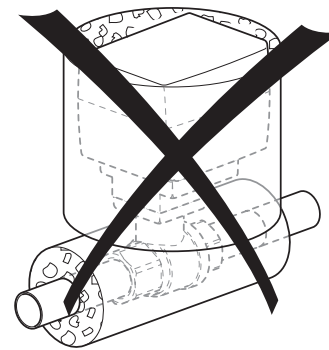
TRFD..-S(-T)  
TRF..-S(-T)



TRFD..-S(-T)  
TRF..-S(-T)



TRFD..-S-O(-T)  
TRF..-S-O(-T)



TRFD..-S-O(-T)  
TRF..-S-O(-T)

