

Data collection for RetroFIT globe valve adapters

In the case of third-party valves for which no standard RetroFIT solutions from Belimo are available, a customer-specific solution can be implemented, starting with batch sizes of 1 unit. Please email the filled-out data collection sheet to your contact person at Belimo.

Last name /	_____	Company	_____
First name	_____	Street	_____
Telephone	_____	Postal code / City	_____
Email	_____		
Date	_____	Signature	_____

Data collection for globe valves

Please enter only one valve type per collection sheet!

Select the matching valve type based on the pictures below and tick it.
Please enter the dimensions in mm in the right-hand column.

Fig. 1

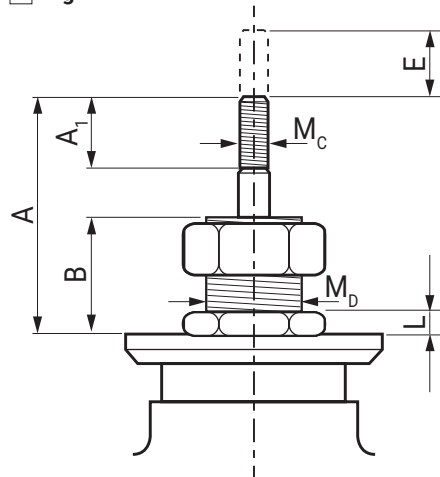


Fig. 2

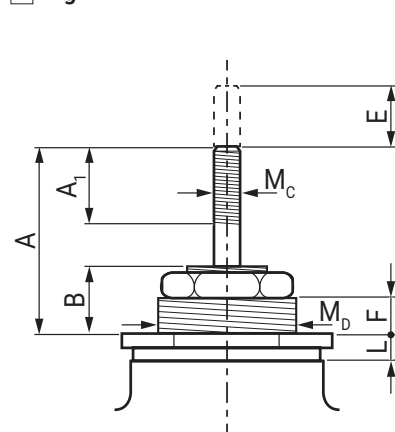


Fig. 3

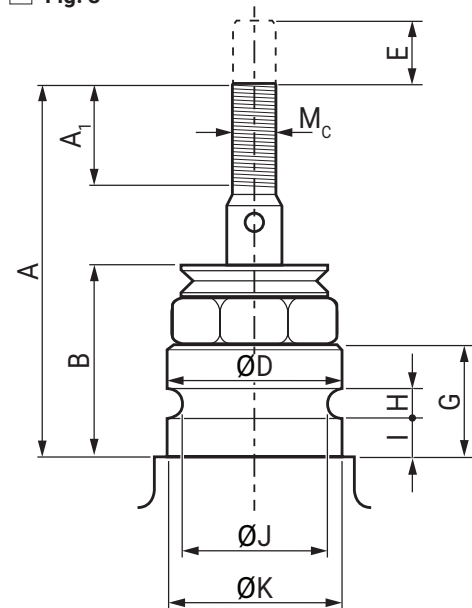
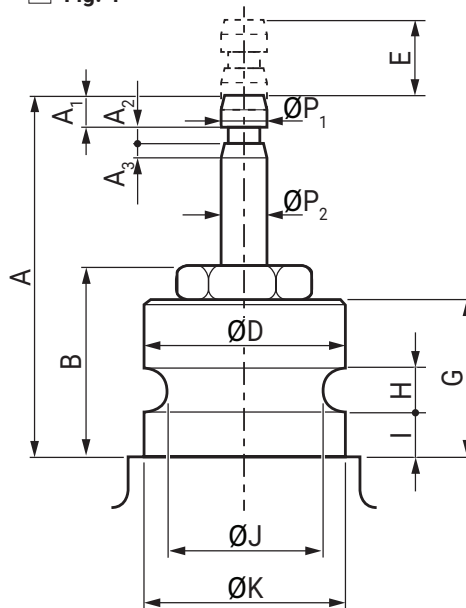


Fig. 4



Dimensions in mm

A	_____
A ₁	_____
A ₂	_____
A ₃	_____
B	_____
M _D	_____
E	_____
M _C	_____
Ø P ₁	_____
Ø P ₂	_____
Ø D	_____
Ø K	_____
I	_____
H	_____
G	_____

Legend

- A Stem length
- M_C Stem thread
- M_D Valve neck thread
- Ø P Stem diameter
- E Stroke

