

2-way, Characterized Control Valve, Stainless Steel Ball and Stem



5-year warranty



Type overview

| | |
|-------------|-----------|
| Type | DN |
| B214 | 15 |

Technical data

| | | |
|---------------------------|--------------------------|--|
| Functional data | Valve size [mm] | 0.5" [15] |
| | Fluid | chilled or hot water, up to 60% glycol |
| | Fluid Temp Range (water) | 0...250°F [-18...120°C] |
| | Body Pressure Rating | 600 psi |
| | Close-off pressure Δps | 200 psi |
| | Flow characteristic | equal percentage |
| | Leakage rate | 0% for A – AB |
| | Pipe connection | Internal thread NPT (female) |
| | Servicing | maintenance-free |
| | Flow Pattern | 2-way |
| | Controllable flow range | 75° |
| | Cv | 7.4 |
| | Materials | Valve body |
| Stem | | stainless steel |
| Stem seal | | EPDM (lubricated) |
| Seat | | PTFE |
| Characterized disc | | TEFZEL® |
| O-ring | | EPDM (lubricated) |
| Ball | | stainless steel |
| Suitable actuators | Non Fail-Safe | TR LRB(X) LRQB(X) NRB(X) N4 |
| | Spring | TFRB(X) LF |

Safety notes



- **WARNING:** This product can expose you to lead which is known to the State of California to cause cancer and reproductive harm. For more information go to www.p65warnings.ca.gov

Product features

Application This valve is typically used in air handling units on heating or cooling coils, and fan coil unit heating or cooling coils. Some other common applications include Unit Ventilators, VAV box re-heat coils and bypass loops. This valve is suitable for use in a hydronic system with variable flow.

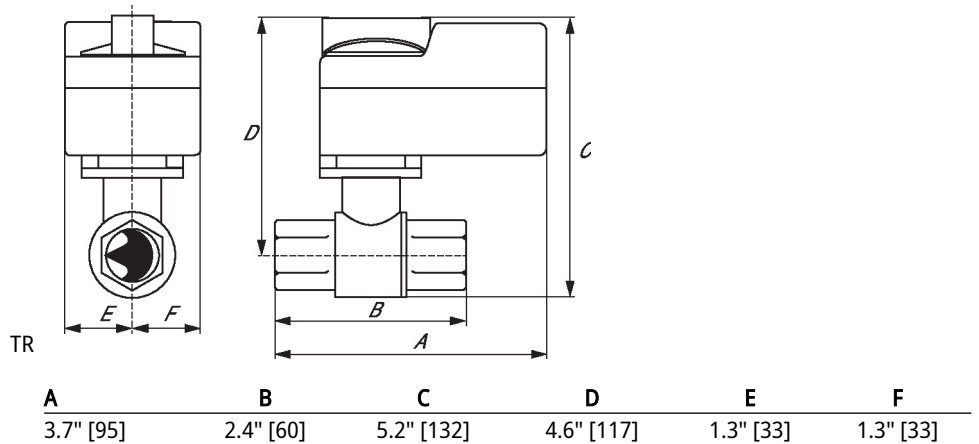
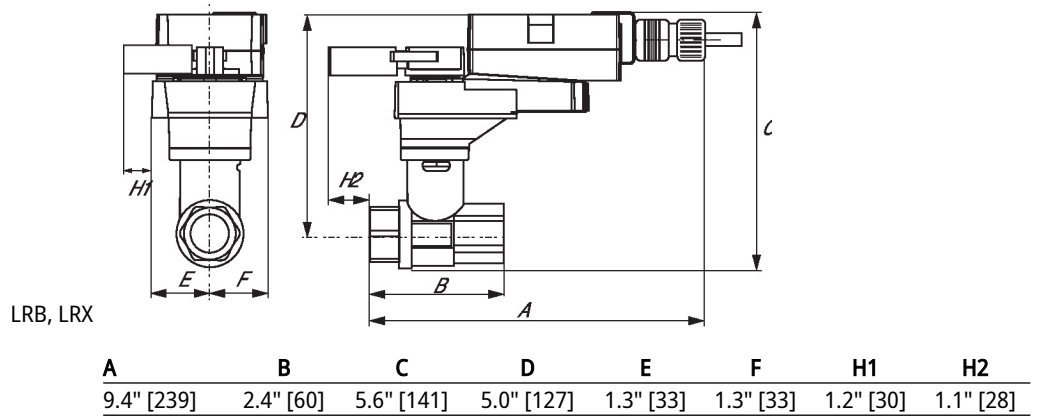
Flow/Mounting details



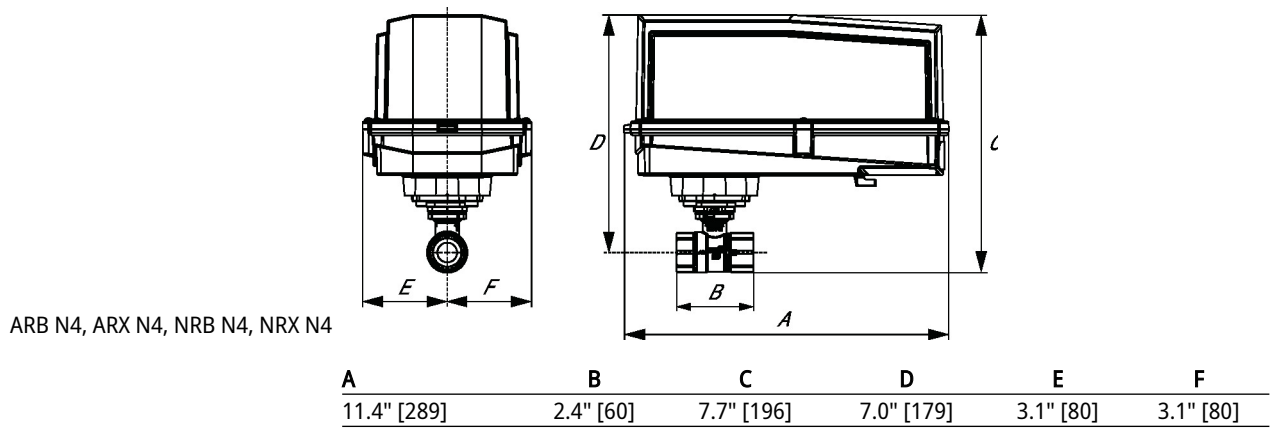
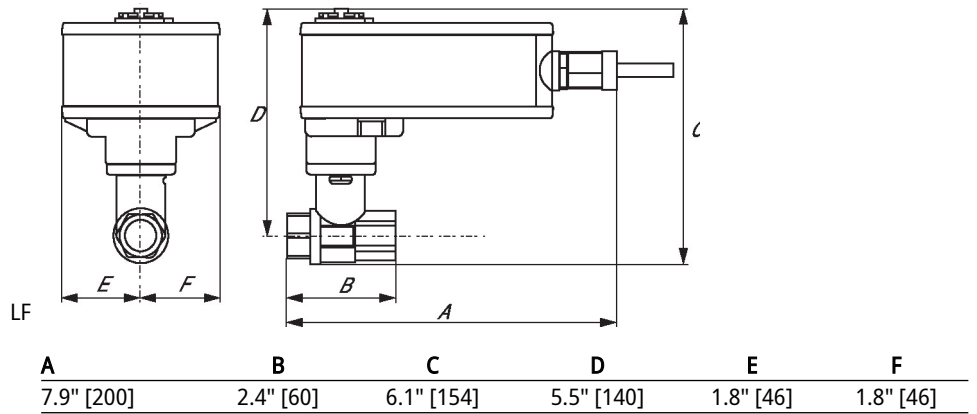
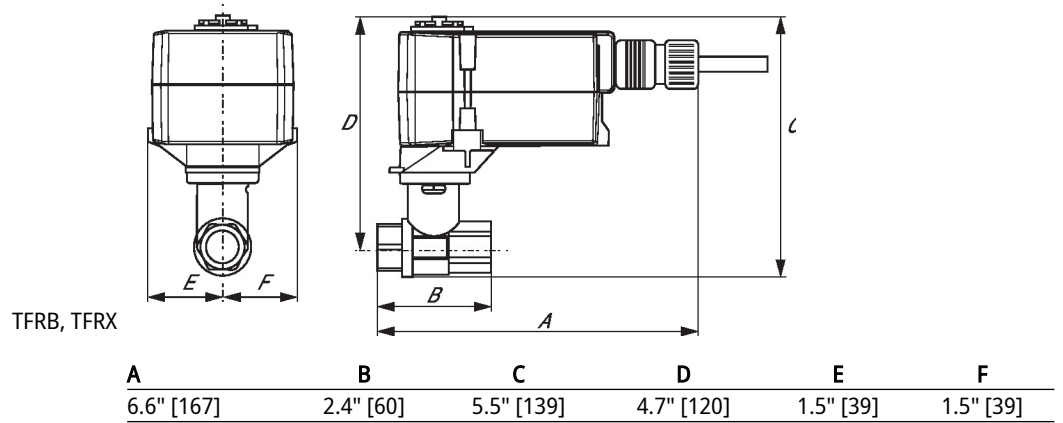
Two-way valves should be installed with the disc upstream.

Dimensions

| Type | DN | Weight |
|------|----|-------------------|
| B214 | 15 | 0.66 lb [0.30 kg] |



Dimensions



Modulating, Non fail-safe, 24 V



5-year warranty



Technical data

| | | |
|------------------------------|------------------------------------|--|
| Electrical data | Nominal voltage | AC/DC 24 V |
| | Nominal voltage frequency | 50/60 Hz |
| | Nominal voltage range | AC 19.2...28.8 V / DC 21.6...28.8 V |
| | Power consumption in operation | 2.5 W |
| | Power consumption in rest position | 1.2 W |
| | Transformer sizing | 5 VA |
| | Electrical Connection | 18 GA plenum cable, 1 m, 3 m, or 5 m with 1/2" NPT conduit connector, degree of protection NEMA 2 / IP54 |
| | Overload Protection | electronic throughout 0...90° rotation |
| Functional data | Operating range Y | 0...20 V PhC |
| | Operating range Y note | Phasecut control (PhC) is only for the positive part of the sine wave (max. of 10 volts) |
| | Input impedance | 8000 Ω (50mW) |
| | Position feedback U | 2...10 V |
| | Position feedback U note | Max. 0.5 mA |
| | Direction of motion motor | selectable with switch 0/1 |
| | Manual override | external push button |
| | Angle of rotation | 90° |
| | Running Time (Motor) | 90 s / 90° |
| | Running time motor variable | 90 or 150 s |
| | Noise level, motor | 35 dB(A) |
| | Position indication | Mechanical, pluggable |
| | Safety data | Power source UL |
| Degree of protection IEC/EN | | IP54 |
| Degree of protection NEMA/UL | | NEMA 2 |
| Enclosure | | UL Enclosure Type 2 |
| Agency Listing | | cULus acc. to UL60730-1A/-2-14, CAN/CSA E60730-1:02, CE acc. to 2014/30/EU |
| Quality Standard | | ISO 9001 |
| UL 2043 Compliant | | Suitable for use in air plenums per Section 300.22(C) of the NEC and Section 602 of the IMC |
| Ambient humidity | | Max. 95% RH, non-condensing |
| Ambient temperature | | -22...122°F [-30...50°C] |
| Storage temperature | | -40...176°F [-40...80°C] |

Technical data

| | | |
|--------------------|--|--------------------------------------|
| Safety data | Servicing | maintenance-free |
| Weight | Weight | 1.4 lb [0.64 kg] |
| Materials | Housing material | Galvanized steel and plastic housing |
| Footnotes | †Rated Impulse Voltage 800V, Type of Action 1, Control Pollution Degree 2. | |

Accessories

| Electrical accessories | Description | Type |
|------------------------|---|------------|
| | Battery backup system, for non-spring return models | NSV24 US |
| | Battery, 12 V, 1.2 Ah (two required) | NSV-BAT |
| | Auxiliary switch 1x SPDT add-on | S1A |
| | Auxiliary switch 2x SPDT add-on | S2A |
| | Feedback potentiometer 140 Ω add-on, grey | P140A GR |
| | Feedback potentiometer 1 kΩ add-on, grey | P1000A GR |
| | Feedback potentiometer 10 kΩ add-on, grey | P10000A GR |
| | Feedback potentiometer 2.8 kΩ add-on, grey | P2800A GR |
| | Feedback potentiometer 500 Ω add-on, grey | P500A GR |
| | Feedback potentiometer 5 kΩ add-on, grey | P5000A GR |

Electrical installation

- Provide overload protection and disconnect as required.
- Actuators may be connected in parallel. Power consumption and input impedance must be observed.
- Actuators may also be powered by DC 24 V.
- Only connect common to negative (-) leg of control circuits.

Wiring diagrams

Phasecut Control

