

Butterfly Valve with

- Disc 304 stainless steel (CF-8, 1.4308)



5-year warranty

Picture may differ from product

Type overview

Type	DN	Cv	Body Pressure Rating
F6125L	5" [125]	1140	ANSI Class Consistent with 125, 232 psi CWP

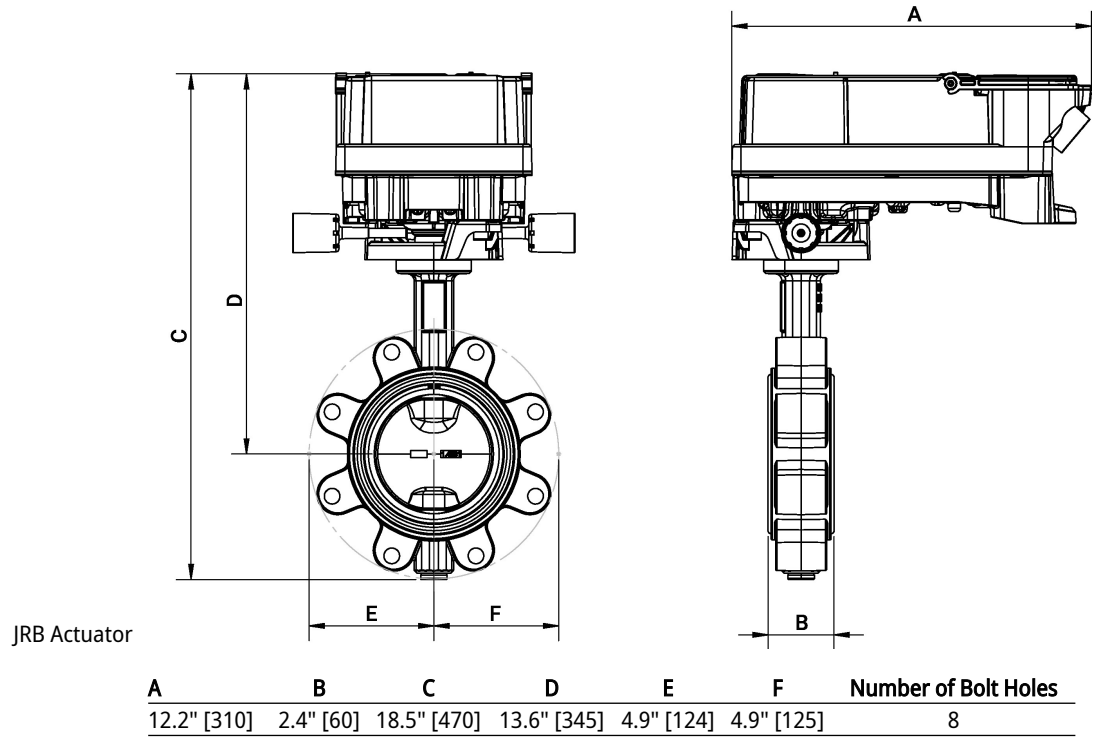
Technical data

Functional data	Valve size [mm]	5" [125]
	Fluid	Chilled and hot water, water with glycol up to max. 60% vol.
	Fluid temperature	-22...250°F [-30...120°C]
	Close-off pressure	Δps 200 psi
	Flow characteristic	equal percentage
	Pipe connection	Flange for use with ASME/ANSI class 125/150
	Servicing	maintenance-free
	Flow Pattern	2-way
	Controllable flow range	90° rotation
	Maximum Velocity	12 FPS
	Lug threads	3/4-10 UNC
	Materials	Valve body
Stem		Stainless steel AISI 420 (1.4021)
Stem seal		EPDM O-ring
Stem bearing		Bronze, steel, PTFE
Seat		EPDM
Disc		304 stainless steel (CF-8, 1.4308)

Dimensions

Type	DN	Weight
F6125L	5" [125]	21.7 lb [9.8 kg]

Dimensions



Further documentation

- The complete product range for water applications
- Data sheets for actuators
- Installation instructions for actuators and/or butterfly valves
- General notes for project planning

• For manual operation of D6.. butterfly valves.



Picture may differ from product

Type Overview

Type	DN
ZD6N-S100	25...100
ZD6N-S150	125...300
ZD6N-S350	350
ZD6N-S400	400
ZD6N-S450	450
ZD6N-S500	500
ZD6N-S600	600
ZD6N-S700	700

Technical data

Functional data Servicing maintenance-free

Product features

Application not suitable for outdoor applications


Installation notes

Motorisation

	DN	D650N(L)	D665N(L)	D680N(L)	D6100N(L)	D6125N(L)	D6150N(L)	D6100W(L)	D6125W(L)	D6150W(L)	D6200W(L)	D6250W(L)	D6300W(L)	D6350N(L)/B(L)	D6450N(L)/B(L)	D6500N(L)/B(L)	D6600N(L)/B(L)
ZD6N-S100	25...100	x	x	x	x			x									
ZD6N-S150	125...300					x	x		x	x	x	x					
ZD6N-S350	350												x				
ZD6N-S400	400													x			
ZD6N-S450	450														x		
ZD6N-S500	500															x	
ZD6N-S600	600																x

- A) Standard actuators
- B) Fail-safe actuators
- C) Adapter

Dimensions

Type	A [mm]	A1 [mm]	A2 [mm]	L [mm]	S [mm]	øF [mm]	SpR [mm]	F [mm]	 kg
ZD6N-S100	164.5	76	170	71	107	146	24:1 F05, 14 x 14		4.6
ZD6N-S150	164.5	76	170	71	107	146	24:1 F07, 17 x 17		4.6
ZD6N-S350	228	113	301.5	82	160	285	50:1 F10, 22 x 22		11.8
ZD6N-S400	260	155	439.5	98	254	385	80:1 F14, 36 x 36		16.5
ZD6N-S450	260	155	439.5	98	254	385	80:1 F14, 36 x 36		21.8
ZD6N-S500	280	110	390	124	220	285	560:1F14, 36 x 36		34.5
ZD6N-S600	306	136	442	129	272	385	560:1F16, 36 x 36		49