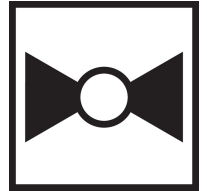


**Butterfly Valve with Grooved types**

- Disc electroless nickel coated ductile iron
- Bubble tight shut-off
- Resilient seat
- Valve face-to-face dimensions comply with AWWA (c606) & MSS-SP-67
- Completely assembled and tested, ready for installation
- VIC-300 Masterseal is manufactured by the Victaulic Company.



5-year warranty


**Type overview**

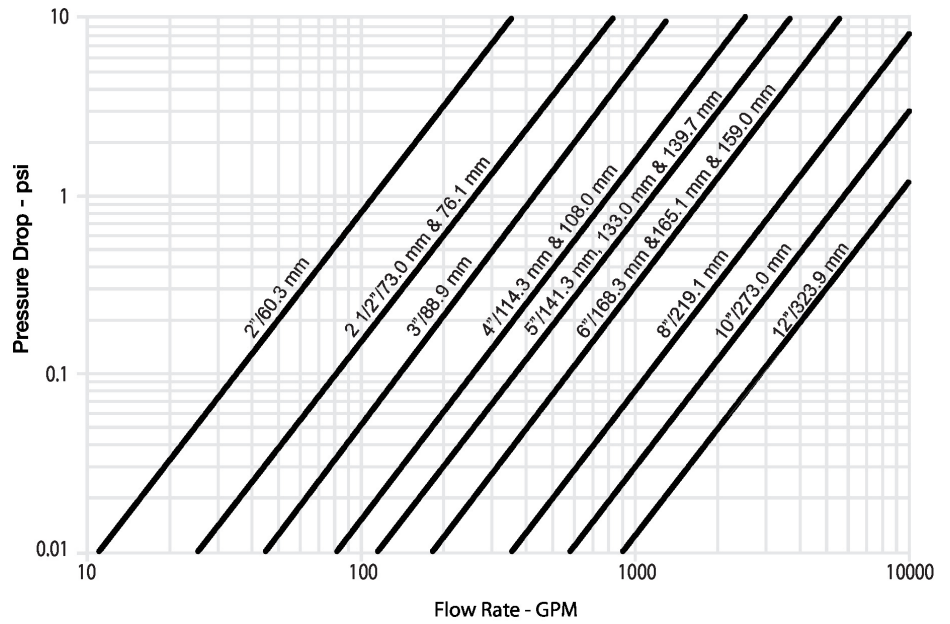
<b>Type</b>	<b>DN</b>
F665VIC	65

**Technical data**

<b>Functional data</b>	Valve size [mm]	2.5" [65]	
	Fluid	chilled or hot water, up to 60% glycol	
	Fluid Temp Range (water)	-30...120°C [-22...250°F]	
	Body Pressure Rating	ANSI Class Grooved AWWA, 300 psi	
	Flow characteristic	modified equal percentage	
	Leakage rate	0%	
	Pipe connection	Grooved ANSI/AWWA (c606)	
	Servicing	maintenance-free	
	Flow Pattern	2-way	
	Controllable flow range	90° rotation	
	Cv	260	
	Maximum Velocity	20 FPS	
	<b>Materials</b>	Valve body	Ductile cast iron ASTM A536
		Body finish	black alkyd enamel
Stem		416 stainless steel	
Stem seal		fiberglass with TFE lining	
Seat		EPDM	
Disc		electroless nickel coated ductile iron	
<b>Suitable actuators</b>	Non Fail-Safe	AMB(X) GRCB(X) GMB(X)	
	Spring	AFB(X)	

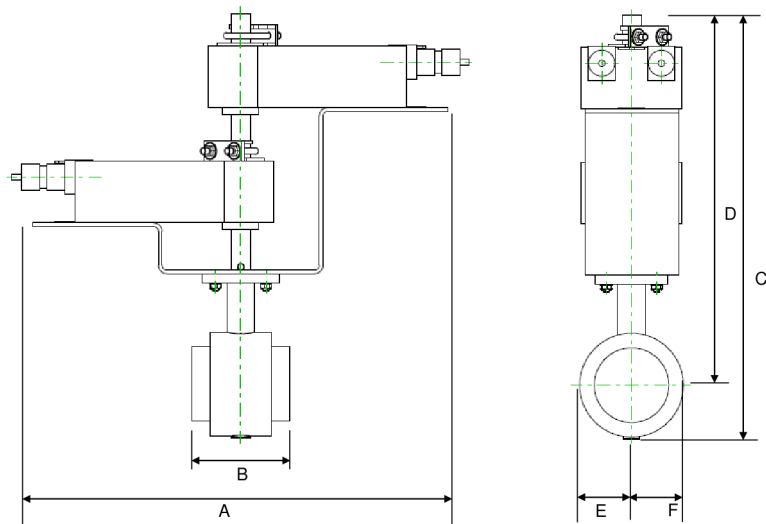
Product features

Flow/Mounting details



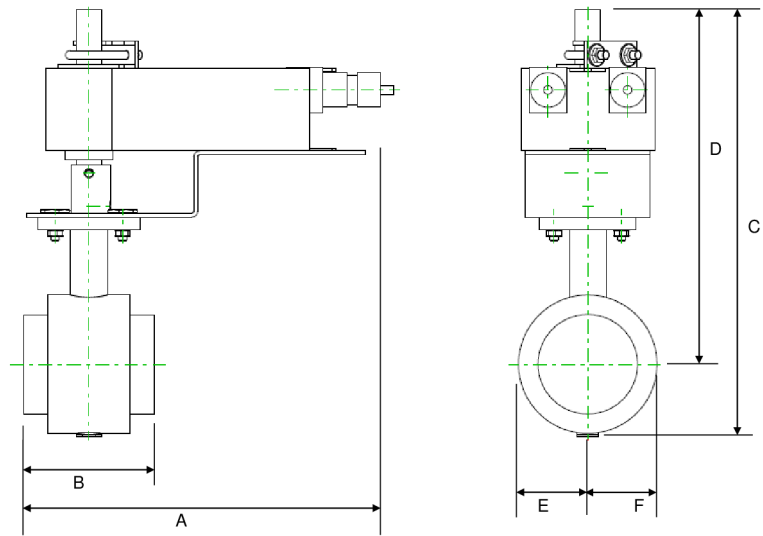
Dimensions

Type	DN	Weight
F665VIC	65	6.4 lb [2.9 kg]



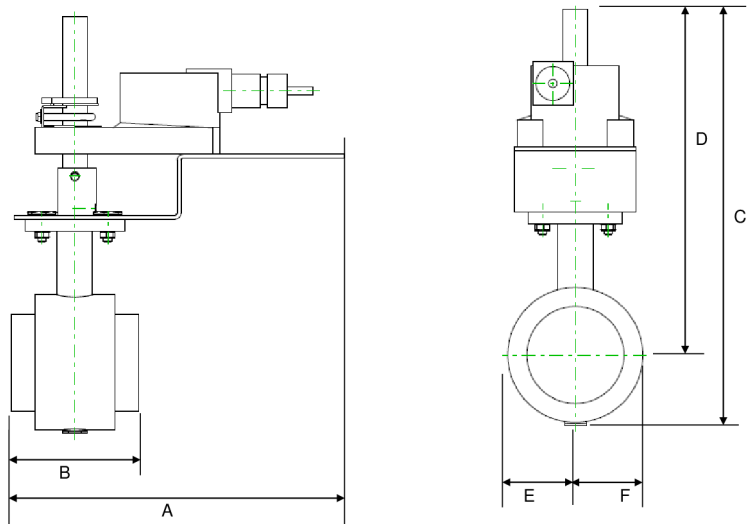
2\*AF

A	B	C	D	E	F
17.6" [448]	3.8" [97]	16.4" [416]	14.3" [363]	2.1" [54]	2.1" [54]



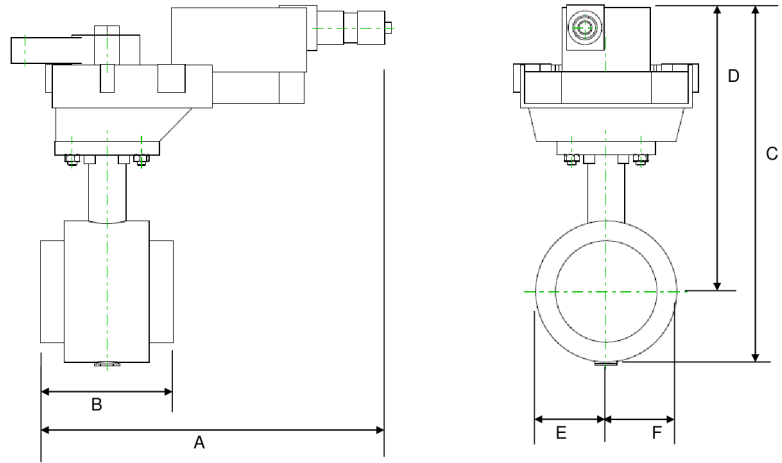
AF

A	B	C	D	E	F
10.7" [273]	3.8" [97]	12.3" [312]	10.2" [260]	2.1" [54]	2.1" [54]



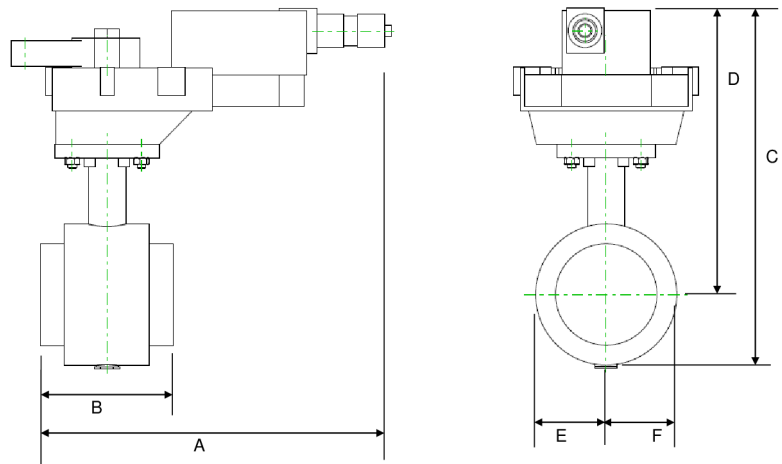
AM

A	B	C	D	E	F
9.9" [251]	3.8" [97]	12.3" [312]	10.2" [260]	2.1" [54]	2.1" [54]



GM

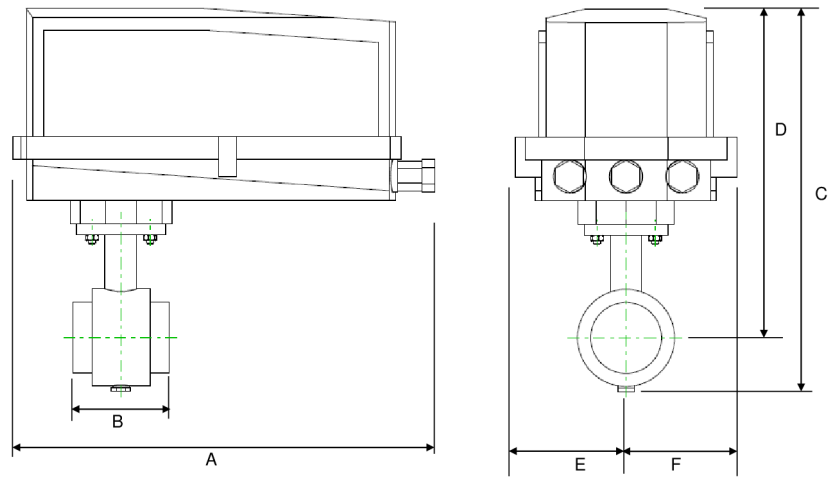
A	B	C	D	E	F
9.9" [251]	3.8" [97]	12.3" [312]	10.2" [260]	2.1" [54]	2.1" [54]



GR

A	B	C	D	E	F
10.8" [275]	3.8" [97]	10.2" [260]	8.1" [206]	2.1" [54]	2.1" [54]

Dimensions



GR N4

A	B	C	D	E	F
14.1" [358]	3.8" [97]	13.6" [345]	11.5" [292]	2.1" [54]	2.1" [54]

**Rotary actuator for butterfly valves**

- Nominal voltage AC 24...240 V / DC 24...125 V
- Control On/Off, Floating point
- With two integrated auxiliary switches



5-year warranty



Picture may differ from product

**Technical data**

<b>Electrical data</b>	Nominal voltage	AC 24...240 V / DC 24...125 V
	Nominal voltage frequency	50/60 Hz
	Nominal voltage range	AC 19.2...264 V / DC 19.2...137.5 V
	Power consumption in operation	20 W
	Power consumption in rest position	7 W
	Transformer sizing	with 24 V 20 VA / with 240 V 55 VA
	Auxiliary switch	2x SPDT, 1x 10° / 1x 0...90° (default setting 85°)
	Switching capacity auxiliary switch	1 mA...3 A (0.5 A inductive), DC 5 V...AC 250 V
	Connection protective earth	20...14 AWG, only copper wires
	Electrical Connection	Terminal blocks, (PE) Ground-Screw
Overload Protection	electronic throughout 0...90° rotation	
<b>Data bus communication</b>	Communicative control	BACnet MS/TP Modbus RTU MP-Bus
	Number of nodes	BACnet / Modbus see interface description MP-Bus max. 16
<b>Functional data</b>	Position accuracy	±5%
	Manual override	hand lever
	Running Time (Motor)	35 s / 90°
	Running time motor variable	20...120 s
	Noise level, motor	65 dB(A)
	Position indication	Mechanical, integrated
<b>Safety data</b>	Power source UL	Class 2 Supply
	Degree of protection IEC/EN	IP66/67
	Degree of protection NEMA/UL	NEMA 4X
	Housing	UL Enclosure Type 4X
	EMC	CE according to 2014/30/EU
	Low voltage directive	CE according to 2014/35/EU
	Certification IEC/EN	IEC/EN 60730-1 and IEC/EN 60730-2-14
	UL Approval	cULus according to UL60730-1A, UL60730-2-14 and CAN/CSA E60730-1 The UL marking on the actuator depends on the production site, the device is UL-compliant in any case

**Technical data**

<b>Safety data</b>	Overvoltage category	III
	Rated impulse voltage supply	4 kV
	Ambient humidity	Max. 100% RH
	Ambient temperature	-22...122°F [-30...50°C]
	Storage temperature	-40...176°F [-40...80°C]
	Software Class	A
	Servicing	maintenance-free
<b>Weight</b>	Weight	8.1 lb [3.7 kg]

**Safety notes**


- This device has been designed for use in stationary heating, ventilation and air-conditioning systems and must not be used outside the specified field of application, especially in aircraft or in any other airborne means of transport.
- Caution: Line voltage!
- The device has a protective earthing. Incorrect connection of the protective earth can lead to hazards due to electrical shock.
- Only authorized specialists may carry out installation. All applicable legal or institutional installation regulations must be complied with during installation.
- Apart from the wiring compartment, the device may be opened only at the manufacturer's site. It does not contain any parts that can be replaced or repaired by the user.
- The device contains electrical and electronic components and must not be disposed of as household refuse. All locally valid regulations and requirements must be observed.
- The two switches integrated in the actuator are to be operated either on line voltage or on safety extra-low voltage. The combination line voltage/safety extra-low voltage is not permitted.
- For maintenance work, the correct valve position must be set via the control signal. Additionally, the actuator must be disconnected from the power source. The hand crank and manual override shall not be used as a safety measure to maintain the valve position.

**Product features**

<b>Fields of application</b>	The actuator is particularly suitable for utilisation in outdoor applications and is protected against the following weather conditions: - UV radiation - Dirt / Dust - Rain / Snow - Air humidity
<b>Internal heating</b>	An internal heater prevents condensation buildup. Thanks to the integrated temperature and humidity sensor, the built-in heater automatically switches on/off.
<b>Parametrizable actuators</b>	The factory settings cover the most common applications. Belimo Assistant 2 is required for programming via Near Field Communication (NFC) and simplifies commissioning. Moreover, Belimo Assistant 2 provides a variety of diagnostic options. The ZTH EU service tool provides a selection of both diagnostic and setting options.
<b>Simple direct mounting</b>	Simple direct mounting on the butterfly valve. The mounting orientation in relation to the butterfly valve can be selected in 90° (angle) increments.
<b>Manual override</b>	The valve can be manually operated using a hand crank. Unlocking is carried out manually by removing the hand crank.

Product features

- High functional reliability** The actuator is overload protected, requires no limit switches and automatically stops when the end stop is reached.
- Innovative motorization** The actuator uses the powerful Belimo M600 microchip in combination with the INFORM method. It provides the full starting torque from a standstill with high precision (sensorless INFORM-Drive by Prof. Schrödl).
- Flexible signaling** The actuator has one auxiliary switch with a fixed setting (10°) and one adjustable auxiliary switch (0...90°).

Accessories

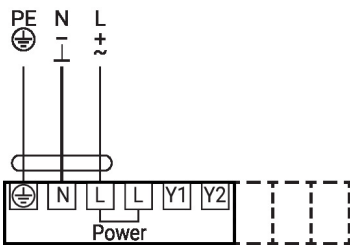
Tools	Description	Type
	Service-Tool for wired and wireless setup, on-site operation and troubleshooting.	Belimo Assistant 2
	Universal converter, with ZIP-USB function and Bluetooth to NFC conversion, for wired and wireless connection of the device to PC/tablet/smartphone	Belimo One Tool
	Connecting cable 16 ft [5 m], A: RJ11 6/4 ZTH EU, B: 6-pin for connection to service socket	ZK1-GEN
Mechanical accessories	Description	Type
	Hand crank for JR actuator	ZJR20

Electrical installation

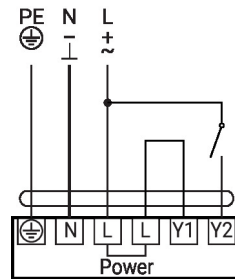


**Caution: Line voltage!**  
Parallel connection of other actuators possible. Observe the performance data.

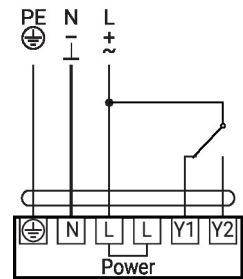
AC 24...240 V / DC 24...125 V



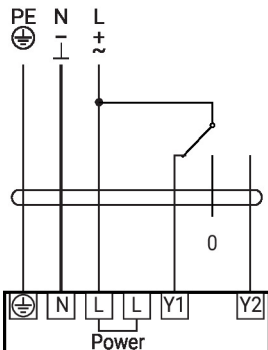
Control on/off



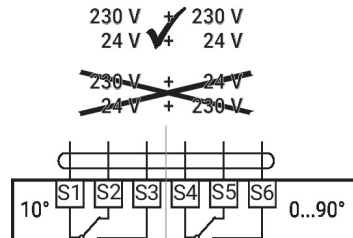
Control on/off



Control floating point

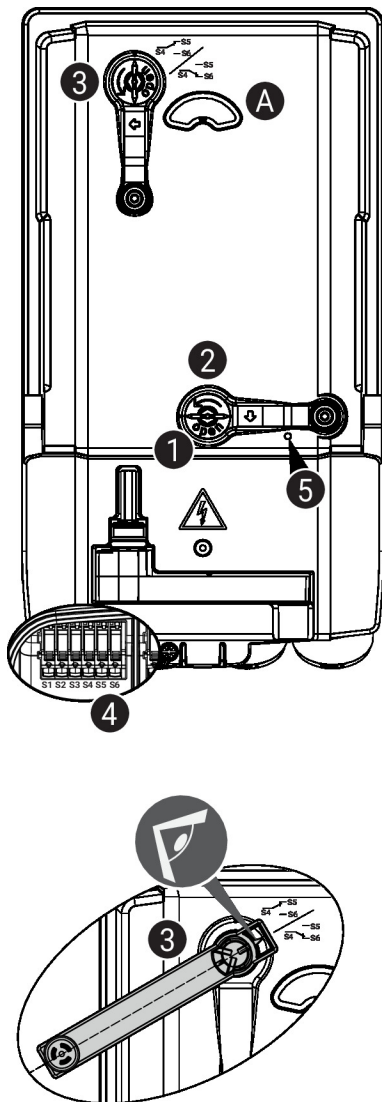


Auxiliary switch





## Operating controls and indicators


**5 LED display green**

- Off: No power supply or malfunction
- On: In operation

**Auxiliary switch settings**

**Note:** Perform settings on the actuator only in deenergised state.

For the auxiliary switch position settings, carry out points **1** to **4** successively.

**1 Gear train disengagement**

Opening the manual override cover and adjusting the hand crank.  
Manual override is possible.

**2 Manual override**

Turn the hand crank until the desired switching position **A** is indicated and then remove the hand crank.

**3 Auxiliary switch**

For the auxiliary switch position settings, carry out points **1** to **4** successively.  
Opening the auxiliary switch adjustment cover and adjusting the hand crank.  
Turn the hand crank until the arrow points to the line.

**4 Terminals**

Connect continuity tester to S4 + S5 or to S4 + S6.  
If the auxiliary switch should switch in the opposite direction, rotate the hand crank by 180°.

## Service

Rotary Actuator, On/Off, Floating point, AC 24...240 V / DC 24...125 V, 90 Nm, Running Time (Motor) 35 s

## Service

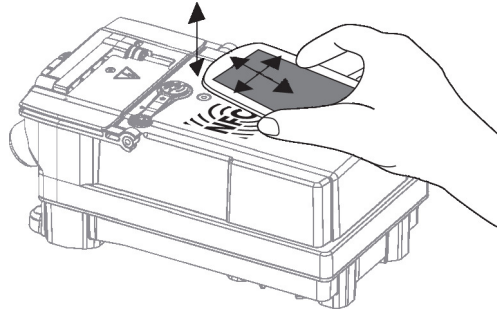
**Wireless connection** Belimo devices marked with the NFC logo can be operated with the Belimo Assistant 2.

Requirement:

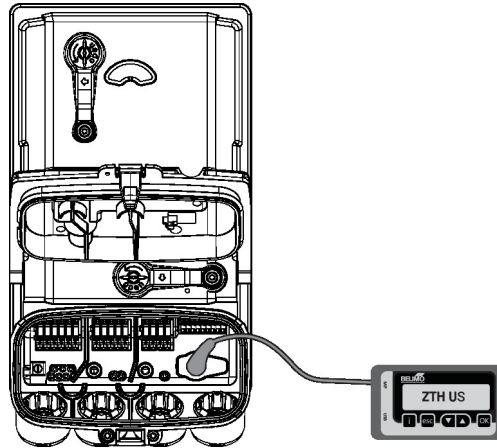
- NFC- or Bluetooth-capable smartphone
- Belimo Assistant 2 (Google Play and Apple AppStore)

Align NFC-capable smartphone on the device so that both NFC antennas are superposed.

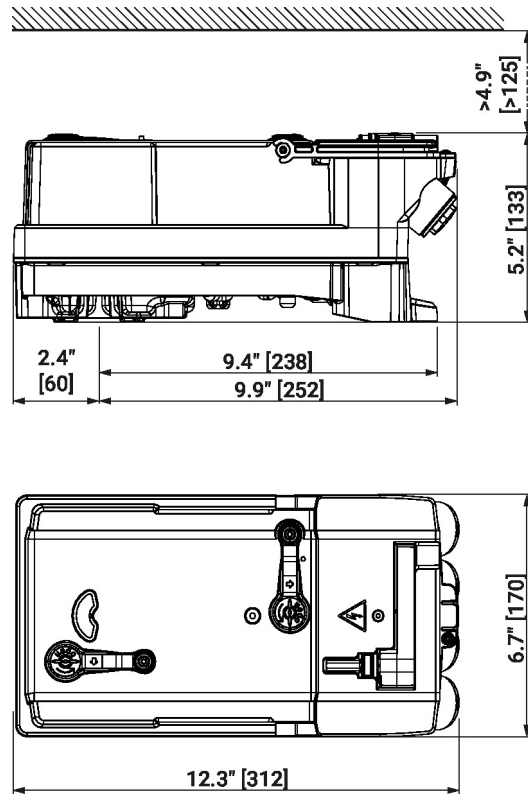
Connect Bluetooth-enabled smartphone via the Bluetooth-to-NFC converter ZIP-BT-NFC to the device. Technical data and operating instructions are shown in the ZIP-BT-NFC data sheet.



**Wired connection** The Belimo One Tool can configure the actuator via the service socket.



## Dimensions



## Further documentation

- The complete product range for water applications
- Data sheets for butterfly valves
- Installation instructions for actuators and/or butterfly valves
- General notes for project planning
- Quick Guide – Belimo Assistant 2