

Butterfly Valve with

- Bubble tight shut-off
- Resilient seat
- Valve face-to-face dimensions comply with API 609 & MSS-SP-67
- Completely assembled and tested, ready for installation



5-year warranty

Picture may differ from product

Type overview

| | |
|-------------|-----------|
| Type | DN |
| F7125L | 125 |

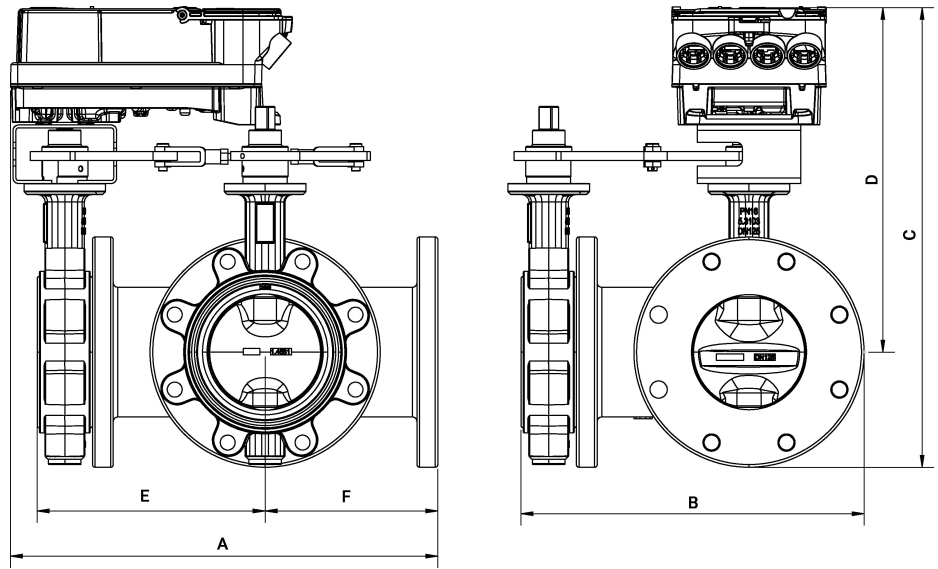
Technical data

| | | |
|------------------------|-------------------------|--|
| Functional data | Valve size [mm] | 5" [125] |
| | Fluid | Chilled and hot water, water with glycol up to max. 60% vol. |
| | Fluid temperature | -22...250°F [-30...120°C] |
| | Body Pressure Rating | ANSI Class Consistent with 125, 232 psi CWP |
| | Close-off pressure Δps | 200 psi |
| | Flow characteristic | equal percentage |
| | Leakage rate | 0% leakage |
| | Pipe connection | Flange for use with ASME/ANSI class 125/150 |
| | Servicing | maintenance-free |
| | Flow Pattern | 3-way |
| | Controllable flow range | 90° rotation |
| | Cv | 1140 |
| | Maximum Velocity | 12 FPS |
| | Lug threads | 3/4-10 UNC |
| Materials | Valve body | Ductile cast iron GGG40 |
| | Valve plug | Stainless steel AISI 304 (CF-8, 1.4308) |
| | Stem | Stainless steel AISI 420 (1.4021) |
| | Stem seal | EPDM O-ring |
| | Stem bearing | Bronze, steel, PTFE |
| | Seat | EPDM |

Dimensions

| | | |
|-------------|-----------|--------------------|
| Type | DN | Weight |
| F7125L | 125 | 119.7 lb [54.3 kg] |

Dimensions



| A | B | C | D | E | F | Number of Bolt Holes |
|-------------|-------------|-------------|-------------|------------|------------|----------------------|
| 18.5" [470] | 14.9" [379] | 19.6" [497] | 15.0" [381] | 9.8" [248] | 7.5" [191] | 8 |

Further documentation

- The complete product range for water applications
- Data sheets for actuators
- Installation instructions for actuators and/or butterfly valves
- General notes for project planning

Rotary actuator for butterfly valves

- Nominal voltage AC 24...240 V / DC 24...125 V
- Control Modulating, Communicative, Hybrid
- With two integrated auxiliary switches
- Conversion of sensor signals
- Communication via BACnet MS/TP, Modbus RTU, Belimo-MP-Bus or conventional control



Picture may differ from product



5-year warranty


Technical data

| | | |
|-------------------------------|--------------------------------------|---|
| Electrical data | Nominal voltage | AC 24...240 V / DC 24...125 V |
| | Nominal voltage frequency | 50/60 Hz |
| | Nominal voltage range | AC 19.2...264 V / DC 19.2...137.5 V |
| | Power consumption in operation | 20 W |
| | Power consumption in rest position | 7 W |
| | Transformer sizing | with 24 V 20 VA / with 240 V 55 VA |
| | Auxiliary switch | 2x SPDT, 1x 10° / 1x 0...90° (default setting 85°) |
| | Switching capacity auxiliary switch | 1 mA...3 A (0.5 A inductive), DC 5 V...AC 250 V |
| | Connection protective earth | 20...14 AWG, only copper wires |
| | Connection control | 22 ... 16 AWG, only copper wires (class 2 supply / SELV) |
| | Electrical Connection | Terminal blocks, (PE) Ground-Screw |
| | Overload Protection | electronic throughout 0...90° rotation |
| Data bus communication | Communicative control | BACnet/IP BACnet MS/TP MP-Bus |
| | Number of nodes | BACnet / Modbus see interface description MP-Bus max. 16 |
| Functional data | Position accuracy | ±5% |
| | Manual override | hand lever |
| | Running Time (Motor) | 35 s / 90° |
| | Running time motor variable | 20...120 s |
| | Sound power level, motor | 65 dB(A) |
| | Position indication | Mechanical, integrated |
| Safety data | Power source UL | Class 2 Supply |
| | Degree of protection IEC/EN | IP66/67 |
| | Degree of protection NEMA/UL | NEMA 4X |
| | Housing | UL Enclosure Type 4X |
| | EMC | CE according to 2014/30/EU |
| | Low voltage directive | CE according to 2014/35/EU |
| Certification IEC/EN | IEC/EN 60730-1 and IEC/EN 60730-2-14 | |

Technical data

| | | |
|------------------------|----------------------|---|
| Safety data | UL Approval | cULus according to UL60730-1A, UL60730-2-14 and CAN/CSA E60730-1 The UL marking on the actuator depends on the production site, the device is UL-compliant in any case |
| | Overvoltage category | III |
| | Ambient humidity | Max. 100% RH |
| | Ambient temperature | -22...122°F [-30...50°C] |
| | Storage temperature | -40...176°F [-40...80°C] |
| | Software Class | A |
| | Servicing | maintenance-free |
| Mechanical data | Connection flange | F07 (F05 only with accessory) |
| Weight | Weight | 8.1 lb [3.7 kg] |

Safety notes


- This device has been designed for use in stationary heating, ventilation and air-conditioning systems and must not be used outside the specified field of application, especially in aircraft or in any other airborne means of transport.
- Caution: Line voltage!
- The device has a protective earthing. Incorrect connection of the protective earth can lead to hazards due to electrical shock.
- Only authorized specialists may carry out installation. All applicable legal or institutional installation regulations must be complied with during installation.
- Apart from the wiring compartment, the device may be opened only at the manufacturer's site. It does not contain any parts that can be replaced or repaired by the user.
- The device contains electrical and electronic components and must not be disposed of as household refuse. All locally valid regulations and requirements must be observed.
- The two switches integrated in the actuator are to be operated either on line voltage or on safety extra-low voltage. The combination line voltage/safety extra-low voltage is not permitted.
- For maintenance work, the correct valve position must be set via the control signal. Additionally, the actuator must be disconnected from the power source. The hand crank and manual override shall not be used as a safety measure to maintain the valve position.

Product features

| | |
|------------------------------|--|
| Fields of application | The actuator is particularly suitable for utilisation in outdoor applications and is protected against the following weather conditions: - UV radiation - Dirt / Dust - Rain / Snow - Air humidity |
| Converter for sensors | Connection option for two sensors (passive, active or switching contacts). In this way, the analog sensor signal can be easily digitized and transferred to the bus systems BACnet or Modbus. |
| Internal heating | An internal heater prevents condensation buildup. Thanks to the integrated temperature and humidity sensor, the built-in heater automatically switches on/off. |
| Configurable Device | The factory settings cover the most common applications. Belimo Assistant 2 is required for configuration via Near Field Communication (NFC) and simplifies commissioning. Moreover, Belimo Assistant 2 provides a variety of diagnostic options. The ZTH EU service tool provides a selection of both diagnostic and setting options. |

Product features

| | |
|---|--|
| Combination analogue - communicative (hybrid mode) | With conventional control by means of an analogue control signal, BACnet or Modbus can be used for the communicative position feedback |
| Simple direct mounting | Simple direct mounting on the butterfly valve. The mounting orientation in relation to the butterfly valve can be selected in 90° (angle) increments. |
| Manual override | The valve can be manually operated using a hand crank. Unlocking is carried out manually by removing the hand crank. |
| High functional reliability | The actuator is overload protected, requires no limit switches and automatically stops when the end stop is reached. |
| Innovative motorization | The actuator uses the powerful Belimo M600 microchip in combination with the INFORM method. It provides the full starting torque from a standstill with high precision (sensorless INFORM-Drive by Prof. Schrödl). |
| Flexible signaling | The actuator has one auxiliary switch with a fixed setting (10°) and one adjustable auxiliary switch (0...90°). |

Accessories

| Tools | Description | Type |
|------------------------|---|--------------------|
| | Service tool for wired and wireless setup, on-site operation and troubleshooting. | Belimo Assistant 2 |
| | Universal converter, with ZIP-USB function and Bluetooth to NFC conversion, for wired and wireless connection of the device to PC/tablet/smartphone | Belimo One Tool |
| | Connecting cable 16 ft [5 m], A: RJ11 6/4 LINK.10, B: 6-pin for connection to service socket | ZK1-GEN |
| Mechanical accessories | Description | Type |
| | Hand crank for JR actuator | ZJR20 |

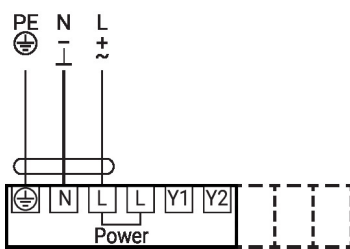
Electrical installation

Caution: Line voltage!

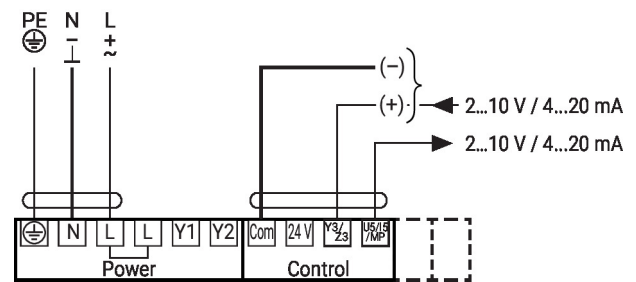
Parallel connection of other actuators possible. Observe the performance data.

The wiring of the line for BACnet MS/TP / Modbus RTU is to be carried out in accordance with applicable RS485 regulations.

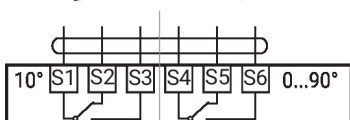
AC 24...240 V / DC 24...125 V



Modulating control

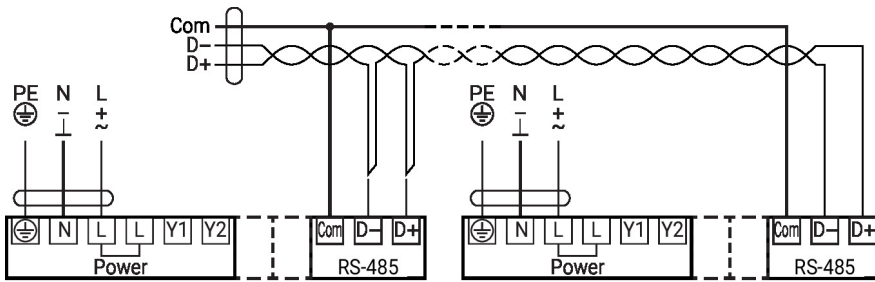


Auxiliary switch

~~230 V + 230 V~~
~~24 V + 24 V~~
~~230 V + 24 V~~
~~24 V + 230 V~~


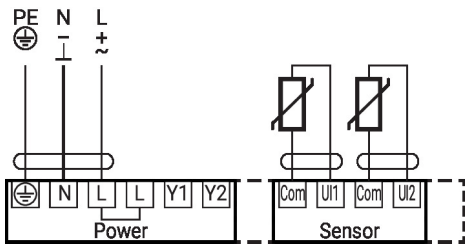
Electrical installation

Connection BACnet MS/TP / Modbus RTU



Converter for sensors

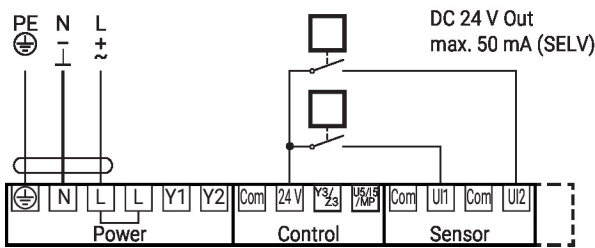
Connection of passive sensors (BACnet MS/TP / Modbus RTU / MP-Bus)



| 1) | 2) |
|---------------|-------|
| 500 Ω...2 kΩ | +/-1% |
| 2 kΩ...10 kΩ | +/-2% |
| 10 kΩ...55 kΩ | +/-6% |

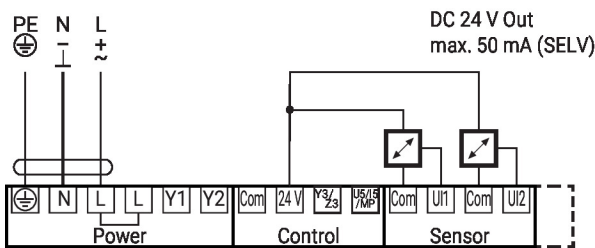
- 1) Resistance range
- 2) Tolerance measured value
- Compensation of the measured value is recommended
- Suitable for Ni1000 and Pt1000
- Suitable Belimo types 01DT-..

Switching contact connection (BACnet MS/TP / Modbus RTU / MP-Bus)



Switching contact requirements:
 The switching contact must be able to switch a current of 10 mA at 24 V accurately.
 To capture, for example:
 - Flow monitors
 - Operation/malfunction messages of chillers

Connection of active sensors (BACnet MS/TP / Modbus RTU / MP-Bus)

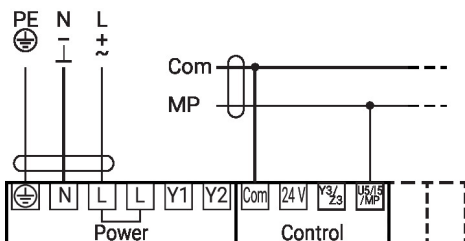


Possible input voltage range:
 0...10 V
 Resolution 5 mV
 To capture, for example:
 - Active temperature sensors
 - Flow sensors
 - Pressure/differential pressure sensors

Further electrical installations

Functions with basic values (conventional mode)

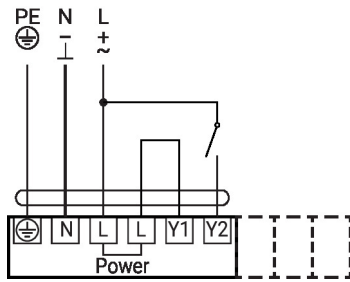
Connection on the MP-Bus



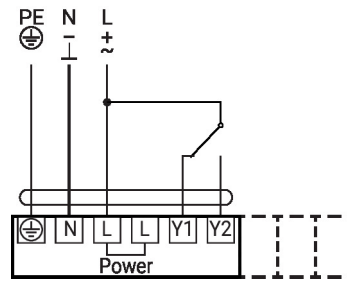
Further electrical installations

Functions with specific parameters (configuration necessary)

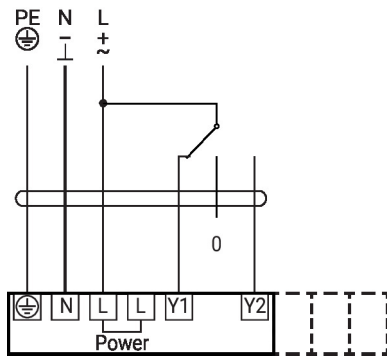
Control on/off



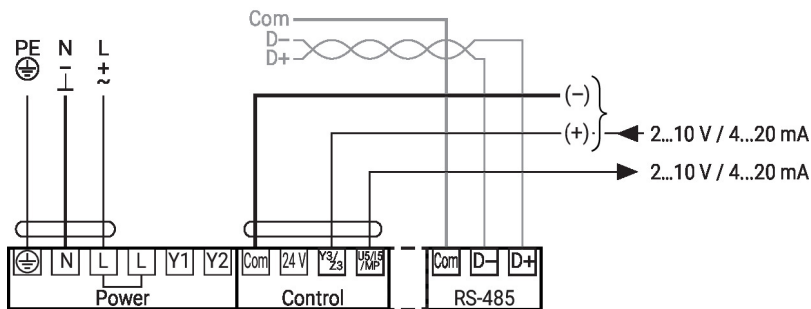
Control on/off



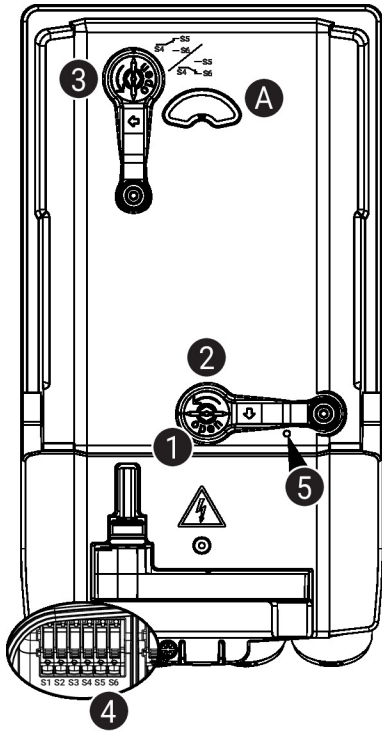
Control floating point



Connection BACnet MS/TP / Modbus RTU with analog setpoint (hybrid mode)



Operating controls and indicators



- 5 LED display green
 - Off: No power supply or malfunction
 - On: In operation

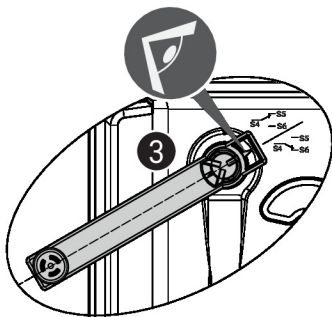
Auxiliary switch settings



Note: Perform settings on the actuator only in deenergised state.

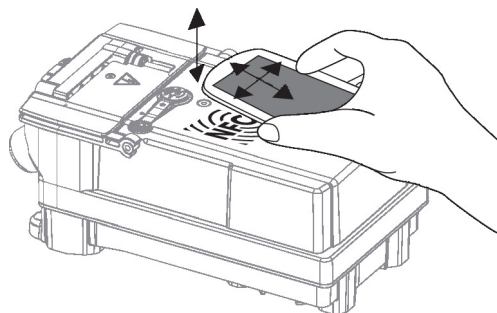
For the auxiliary switch position settings, carry out points 1 to 4 successively.

- 1 **Gear train disengagement**
Opening the manual override cover and adjusting the hand crank. Manual override is possible.
- 2 **Manual override**
Turn the hand crank until the desired switching position A is indicated and then remove the hand crank.
- 3 **Auxiliary switch**
For the auxiliary switch position settings, carry out points 1 to 4 successively. Opening the auxiliary switch adjustment cover and adjusting the hand crank. Turn the hand crank until the arrow points to the line.
- 4 **Terminals**
Connect continuity tester to S4 + S5 or to S4 + S6. If the auxiliary switch should switch in the opposite direction, rotate the hand crank by 180°.



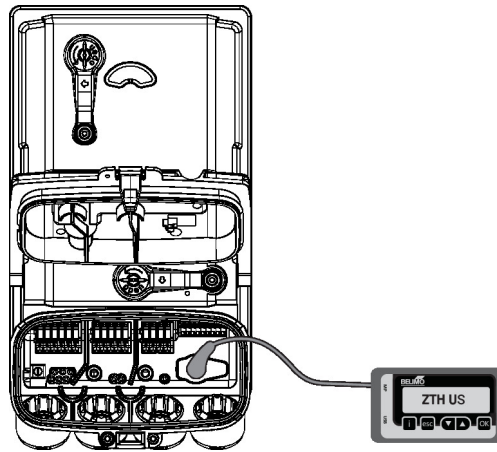
Service

Wireless connection Belimo devices marked with the NFC logo can be operated with the Belimo Assistant 2. Requirement:
 - NFC- or Bluetooth-capable smartphone
 - Belimo Assistant 2 (Google Play and Apple AppStore)
 Align NFC-capable smartphone on the device so that both NFC antennas are superposed. Connect Bluetooth-enabled smartphone via the Bluetooth-to-NFC converter ZIP-BT-NFC to the device. Technical data and operating instructions are shown in the ZIP-BT-NFC data sheet.

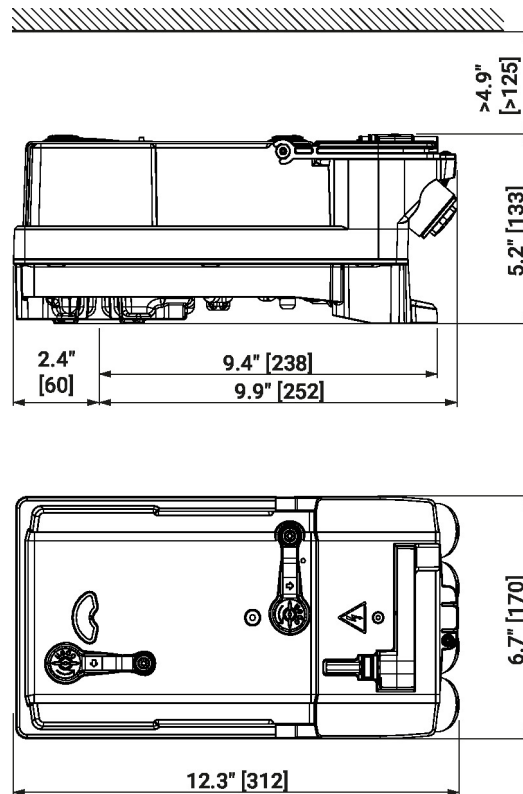


Service

Wired connection The Belimo One Tool can configure the actuator via the service socket.



Dimensions



Further documentation

- Tool connections
- BACnet Interface description
- Modbus Interface description
- Overview MP Cooperation Partners
- Introduction to MP-Bus Technology
- MP Glossary
- The complete product range for water applications
- Data sheets for butterfly valves
- Installation instructions for actuators and/or butterfly valves
- General notes for project planning
- Quick Guide – Belimo Assistant 2